

316 stainless steel 4mm 5mm wire rope tensioners  
swageless type for wire rope balustrading systems .

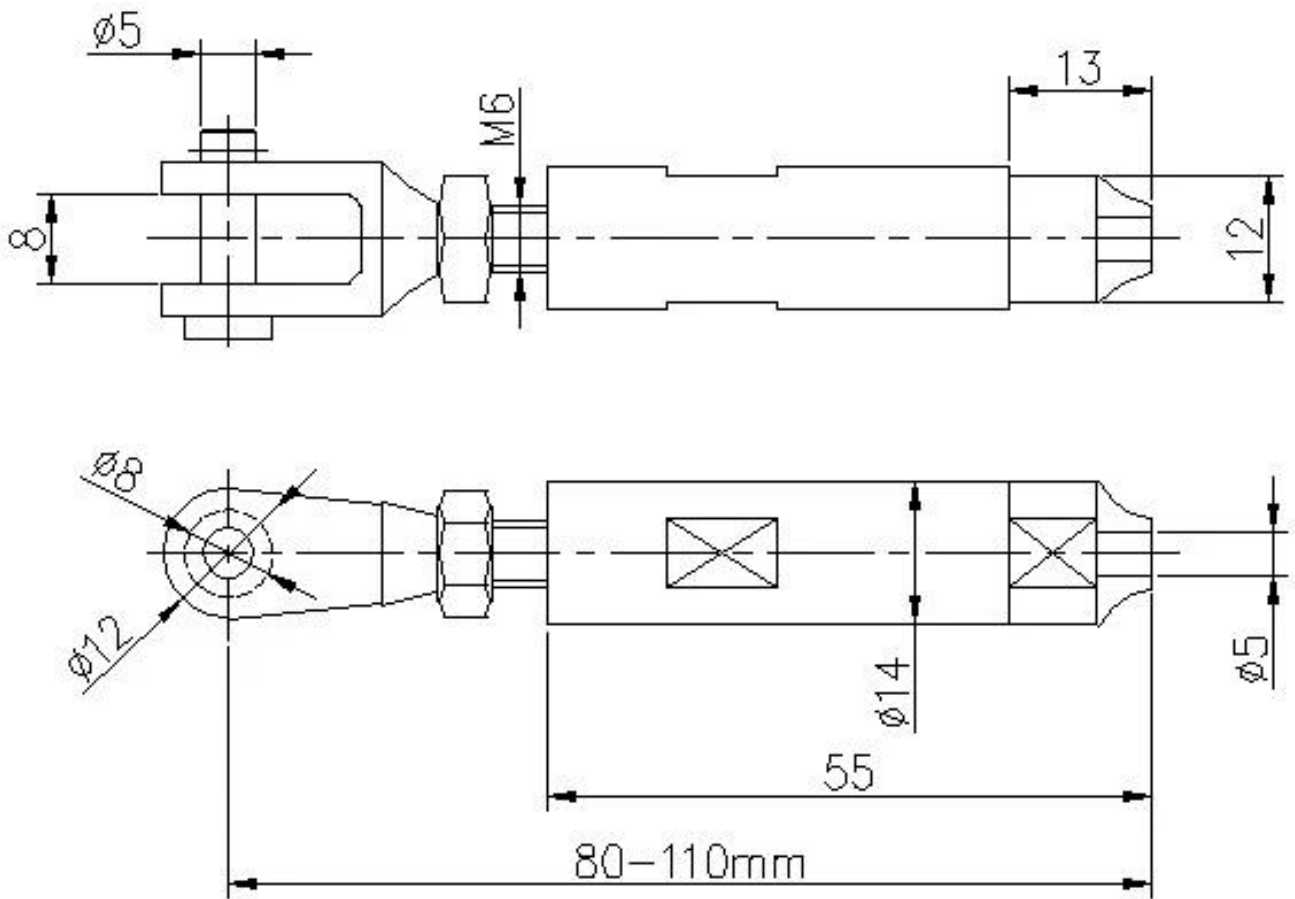
Features-

Item	wire rope tensioners
For wire rope diameter	4mm 5mm
Material	304/316 stainless steel
Finish	satin , mirror
1 set includes	2 pcs , 1 pc used on the left , the other pc used on the right
MOQ	1 set

T803 wire rope tensioner photo-



Drawing of T803 wire rope tensioner -



How to install T803 wire rope tensioner ?





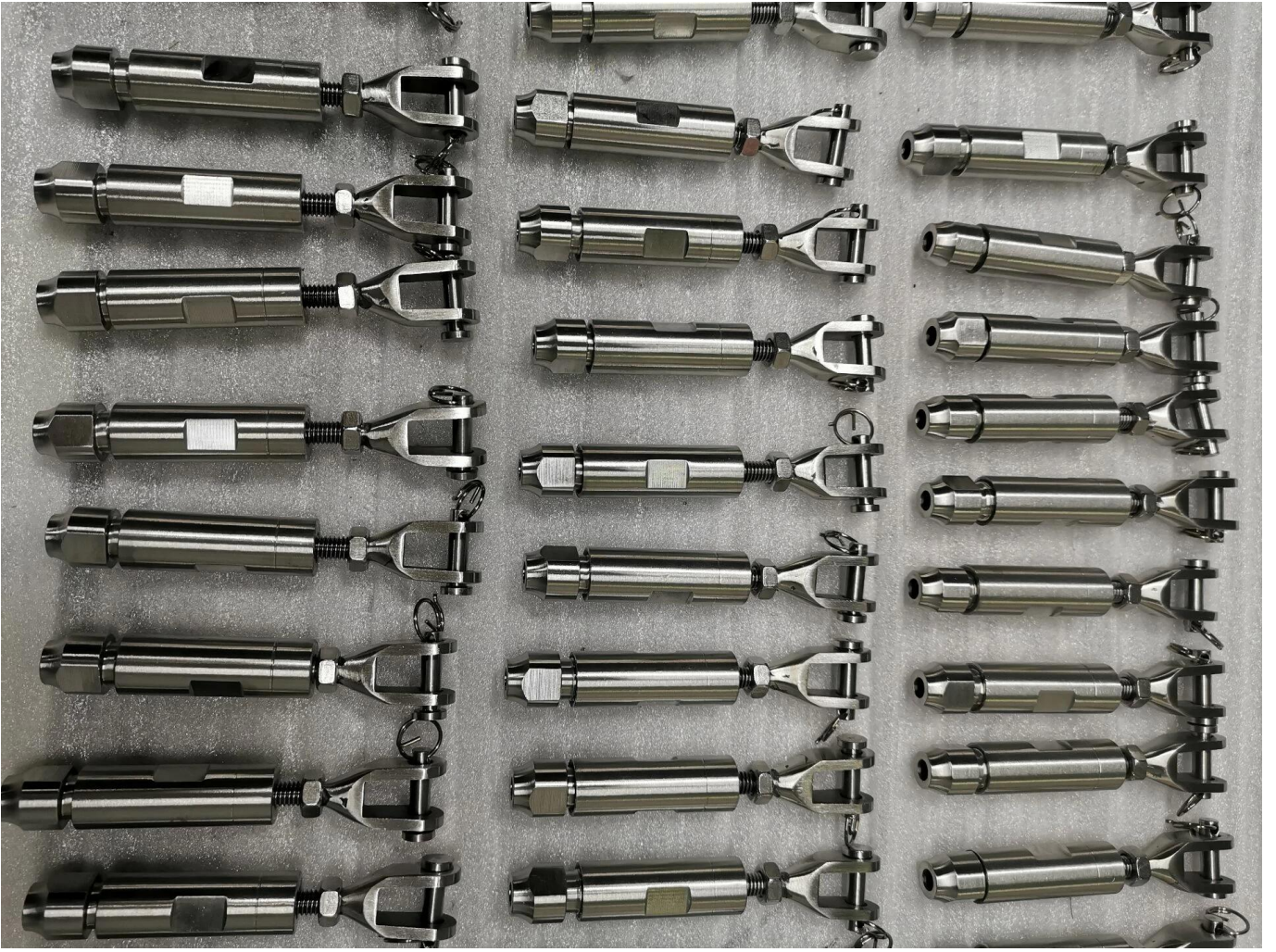


**Mount to concrete**



**If mount to wood, the end bolt have to change to this**

Production photos of wire rope tensioner -





Project photos of wire rope balustrades with T803 wire rope tensioner-



