

316 stainless steel glass mount handrail bracket holder for frameless glass balustrade designs .

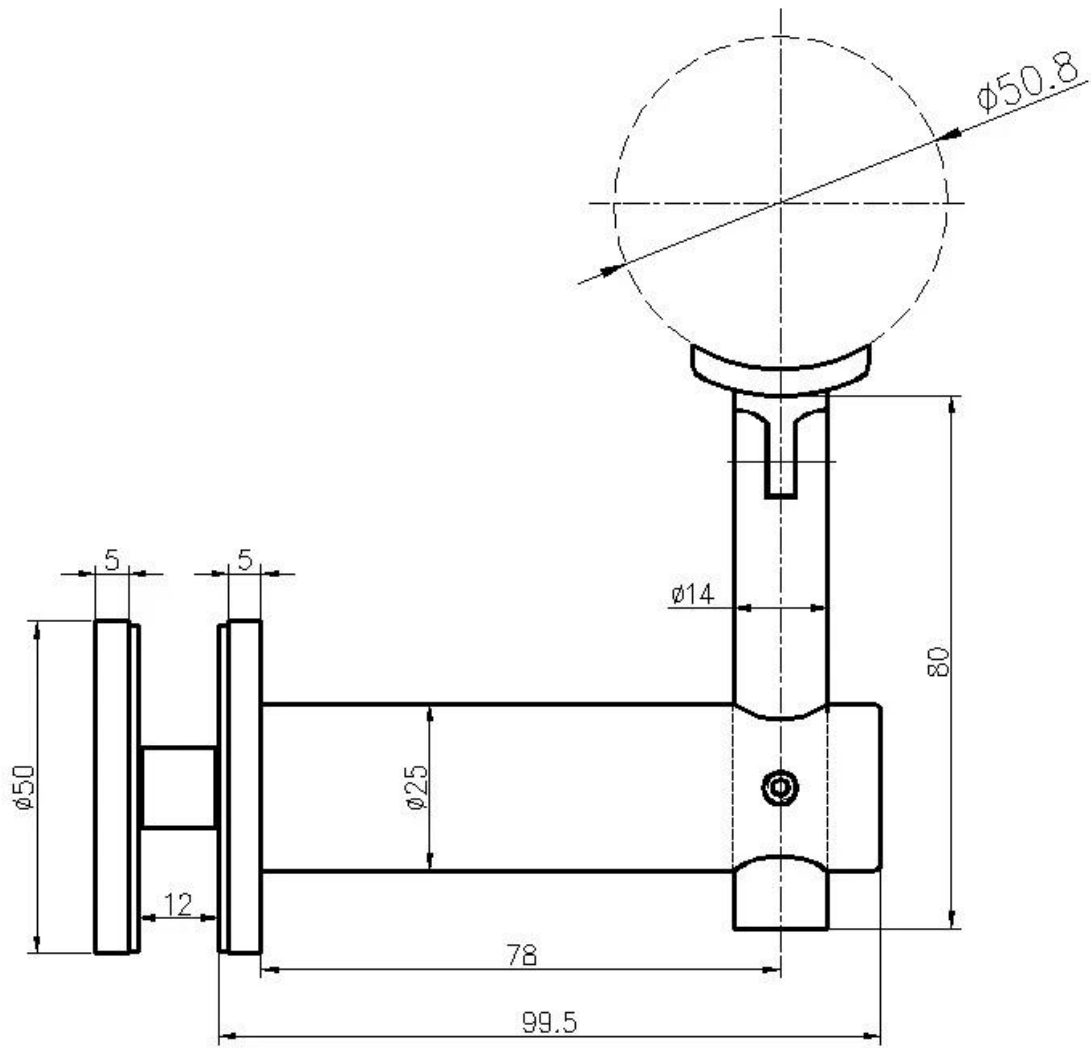
Specs. for glass mount handrail bracket-

1. Material 304/316 stainless steel
2. Finish satin or mirror
3. glass thickness 10-19mm
4. for round /fat handrails

Photo & drawing of glass mount handrail bracket-

KEBIL 科比奥®





Glass handrail galleries -



