

Spring loaded type self closing glass pool gate hinges 316 stainless steel satin finish used for swimming pool fencing .

Specifications for self closing glass pool gate hinges-

Model No.	G-G
Type	Glass to glass hinge
Material	316 stainless steel
Finish	satin
Glass thickness	8-12mm
Max. door leaf weight	30kg per pair of hinge

Glass to glass hinge photo -

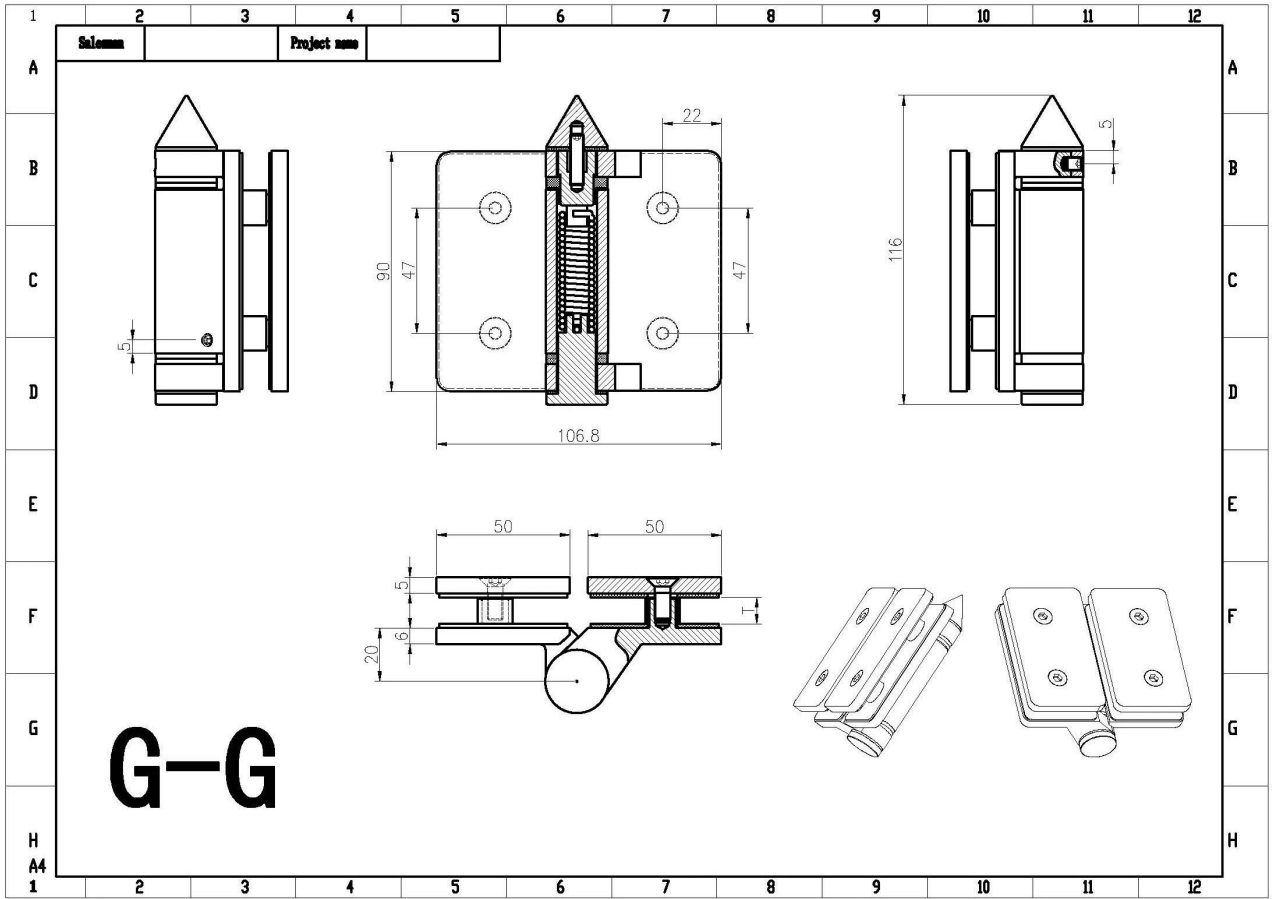
Mirror finish -



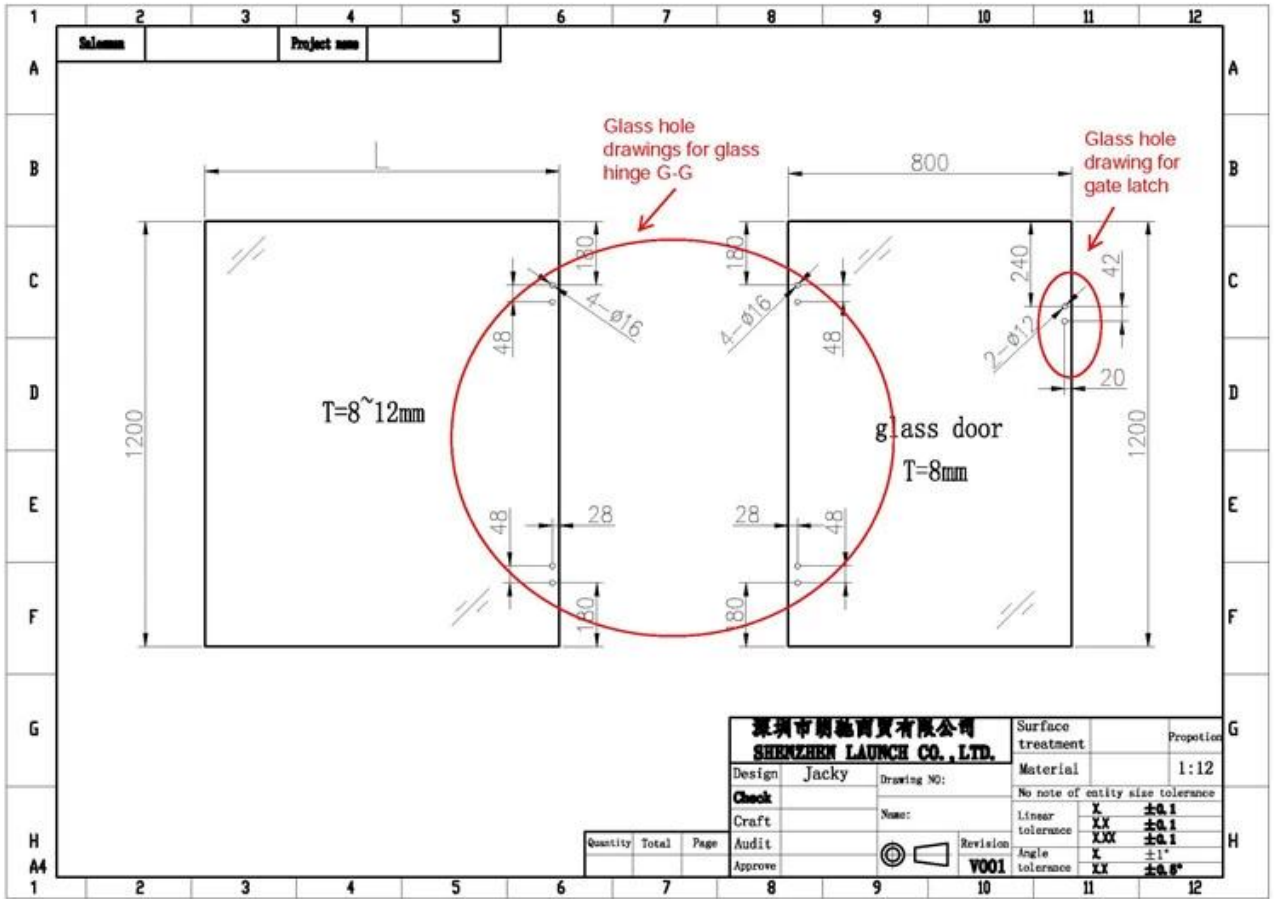
Matte black powder coating finish-



Dimensions for 316 stainless steel self closing glass pool gate hinges-



Hole drawing for 316 stainless steel self closing glass pool gate hinges -



Swimming pool fence with 316 stainless steel self closing glass pool gate hinges project photos -





