

8K Mirror Polished Gold Stainless Steel 3 Way 40mm 50mm Square Tube Connector for Handrail Balustrade

Specifications:

Item	8K Mirror Polished Gold Stainless Steel 3 Way 40mm 50mm Square Tube Connector for Handrail Balustrade
Material	Stainless steel 304/316/316L
Size	40mm/50mm
Thickness	1.5mm/2mm
Packing	1pc in 1 PP Bag + Inner White Box + Cardboard Box + Pallet
Sample	1-3 PCS for free, Freight collect
Delivery time	10-20 workdays depends on order quantity
MOQ	10 pieces
Payment	General T/T 30% deposit, balance against BL copy

Product Models:

For use with 40*40*1.5(mm) tubes





S401



S402



S403

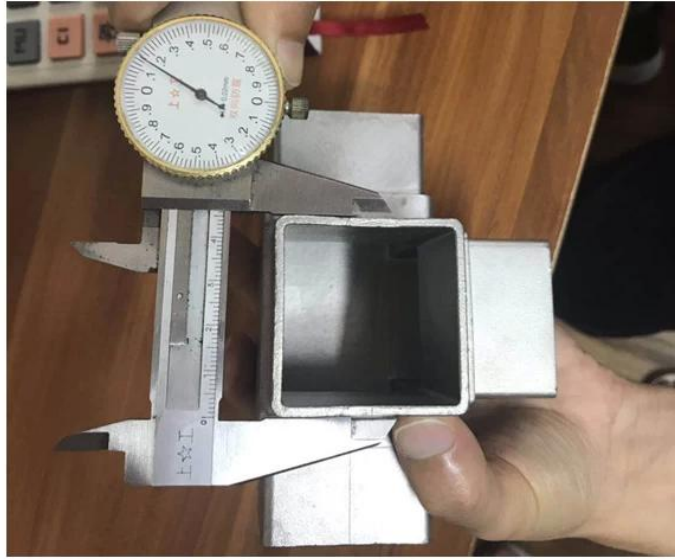



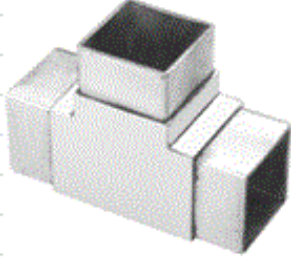



S404



S405

For use with 50*50*2(mm) tubes:



2-way tube connector	For tube dimensions	Model
	40×20×1.5(mm)	S400
	40×40×1.5(mm)	S401
	50×50×1.5(mm)	S501
	51×51×3.2(mm)	S511
3-way tube connector	For tube dimensions	Model
	40×40×1.5(mm)	S402
	51×51×3.2(mm)	S512
	3-way tube connector	For tube dimensions
	30×30×1.5(mm)	S303
	40×40×1.5(mm)	S403
	50×50×2.0(mm)	S503
	51×51×3.2(mm)	S513
4-way tube connector	For tube dimensions	Model
	40×40×1.5(mm)	S404
	50×50×2.0(mm)	S504
	51×51×3.2(mm)	S514
	4-way tube connector	For tube dimensions
	40×40×1.5(mm)	S405

Project Photos:



Round Type Stainless Steel Pipe Corner Connector / Pipe Elbow:



Part No.	For tube size	Material	Finish
▪ E301	▪ Φ 42.4mm ▪ Φ 50.8mm	▪ AISI 304 ▪ AISI 316	▪ Satin ▪ Mirror



Part No.	For tube size	Material	Finish
▪ E302	▪ Φ 42.4mm ▪ Φ 50.8mm	▪ AISI 304 ▪ AISI 316	▪ Satin ▪ Mirror



Part No.	For tube size	Material	Finish
▪ E303	▪ Φ 42.4mm ▪ Φ 50.8mm	▪ AISI 304 ▪ AISI 316	▪ Satin ▪ Mirror



Part No.	For tube size	Material	Finish
▪ E304	▪ Φ 42.4mm ▪ Φ 50.8mm	▪ AISI 304 ▪ AISI 316	▪ Satin ▪ Mirror



Part No.	For tube size	Material	Finish
▪ E305	▪ Φ 12mm ▪ Φ 20mm	▪ AISI 304 ▪ AISI 316	▪ Satin ▪ Mirror



Part No.	For tube size	Material	Finish
▪ E306	▪ Φ 50.8mm	▪ AISI 304 ▪ AISI 316	▪ Satin ▪ Mirror



Part No.	For tube size	Material	Finish
▪ E307	▪ Φ 43	▪ AISI 304 ▪ AISI 316	▪ Satin ▪ Mirror



Part No.	For tube size	Material	Finish
▪ B502	▪ Φ 12mm	▪ AISI 304 ▪ AISI 316	▪ Satin ▪ Mirror



Delivery & Packaging

--Delivery: 3-5 days by air. 10-15 days by sea

--Packing: one piece into one plastic bag, 3 pieces into one box.

--Regular lead time: 3-5 days if goods are in stock. 15-20 days if goods are not in stock. (It depends on quantity)





Contact us now for more information:

Email: sales03@launch-china.cn

Mob/Whatsapp: +8613686807796