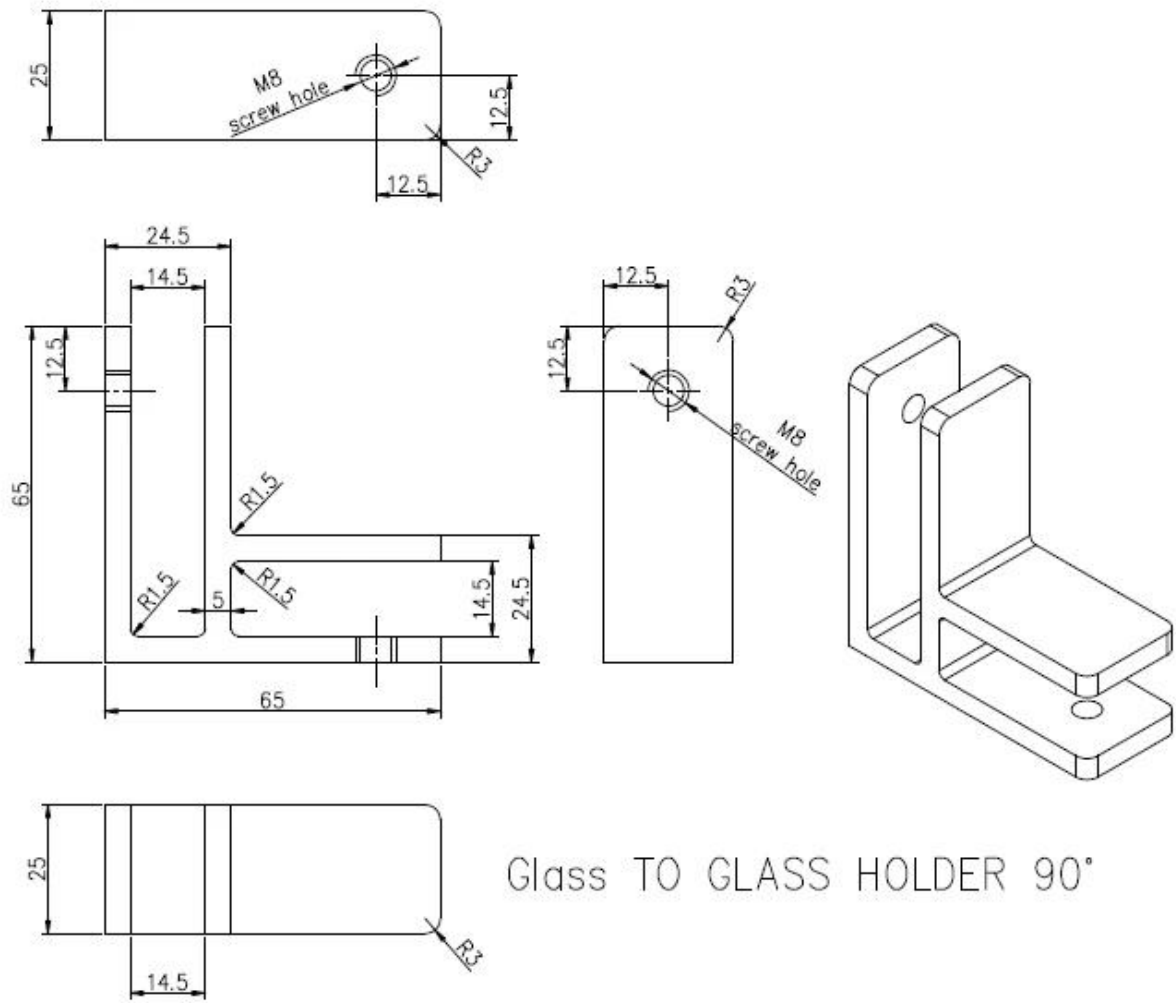


Brushed 316 stainless steel 90 degree corner glass clamp for swimming pool fence, used at the corner of glass railings to secure the railing system.

1) Features of 90 degree corner glass clamp-

- **Material - 304/316 SS**
- **Finish - satin , mirror , matte black finish**
- **Used at corner of glass railings**
- For 10-12mm thickness glass
- No need glass holes , friction fit





Glass TO GLASS HOLDER 90°