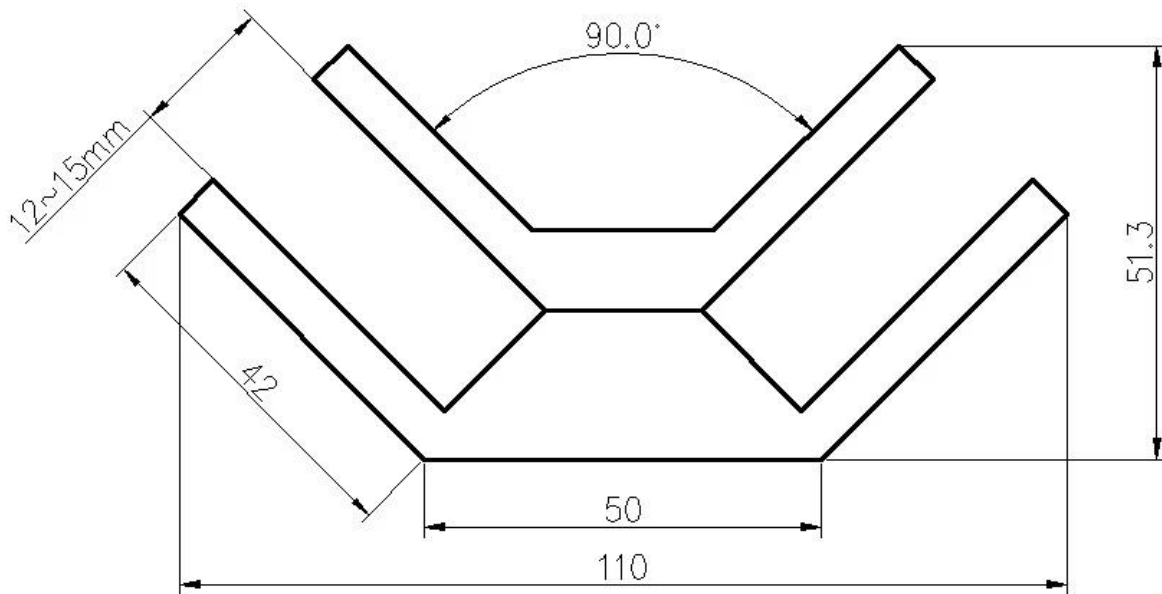


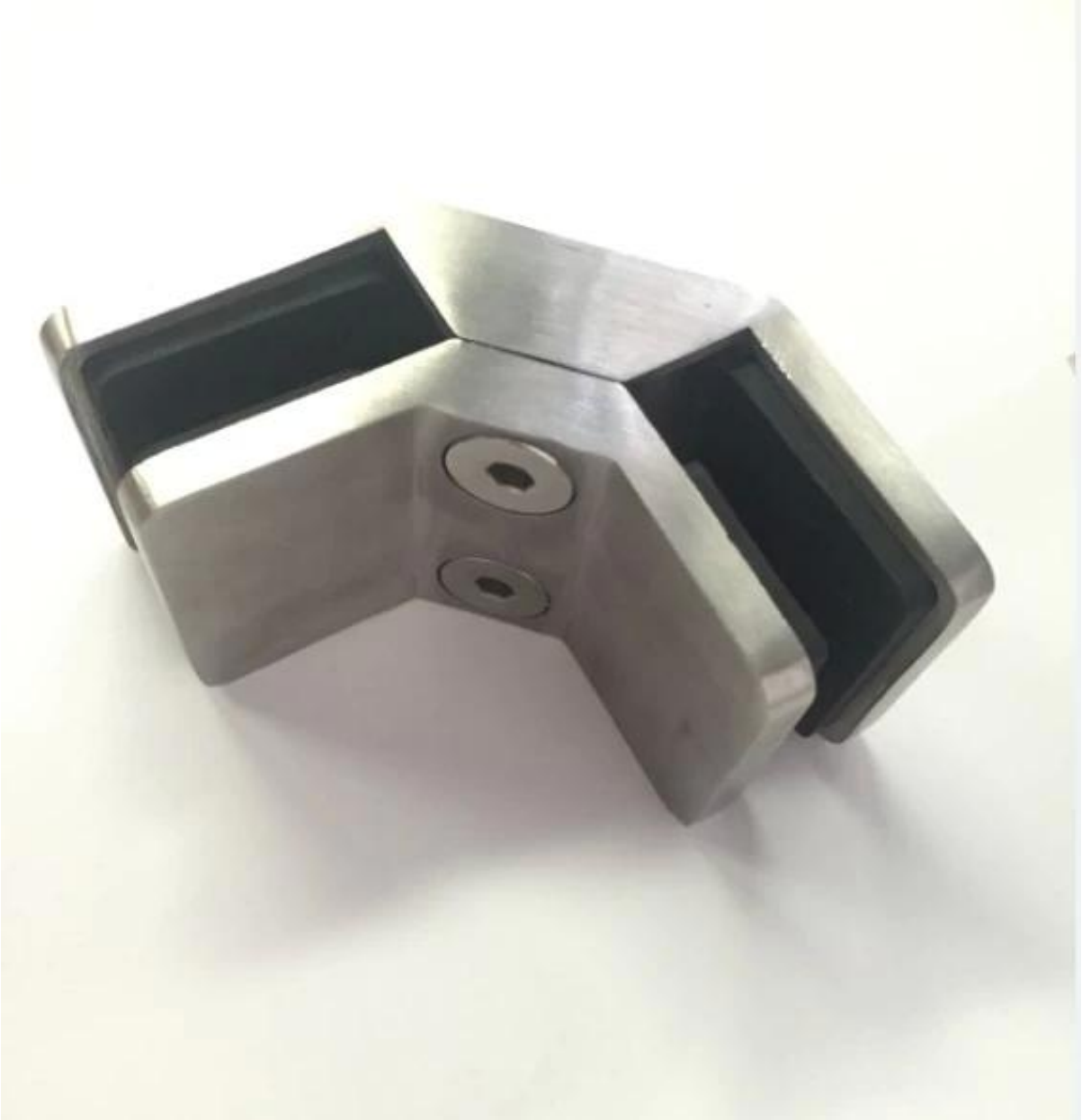
[90 degree glass clamp](#) used in between two glass panels , glass thickness can be from 12mm to 15mm .

Specifications :

- Material 316 stainless steel
- polished or brushed
- for 12mm to 15mm thickness glass
- size as per below drawing



- Photos of [90 degree glass clamp](#)



- Photos of [90 degree glass clamp](#)

