

AISI 316 stainless steel cable wire tensioner
for stair cable railing applications , steel railing mount or wood railing mount optional .

Details for stainless steel cable wire tensioner -

Model No.	T803
Mounting type	steel or wood
Cable diameter	normally 4mm , 5mm , but custom size also available
Finish	satin / mirror
MOQ	1 pair

Photos & drawing of stainless steel cable wire tensioner model T803-

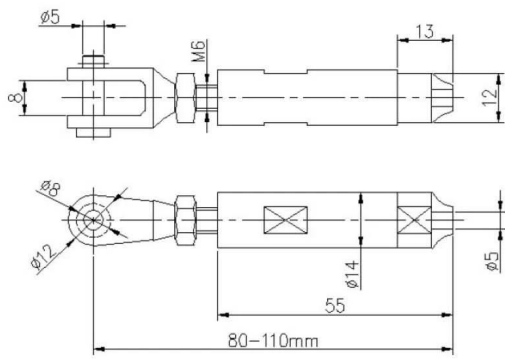
Cable tensioner, model # T803



Model #	T803
Material	Stainless steel 304/316
Finish	Satin / mirror
For cable diameter	4mm , 5mm
1 pair	2 pcs , 1 pcs with normal thread; the other pc with reverse thread



Drawing for cable tensioner, model # T803



Swageless type , no need crimper to tighten cables

Cable tensioner, model # T803



Steel mount with bolt

wood mount with wood screw



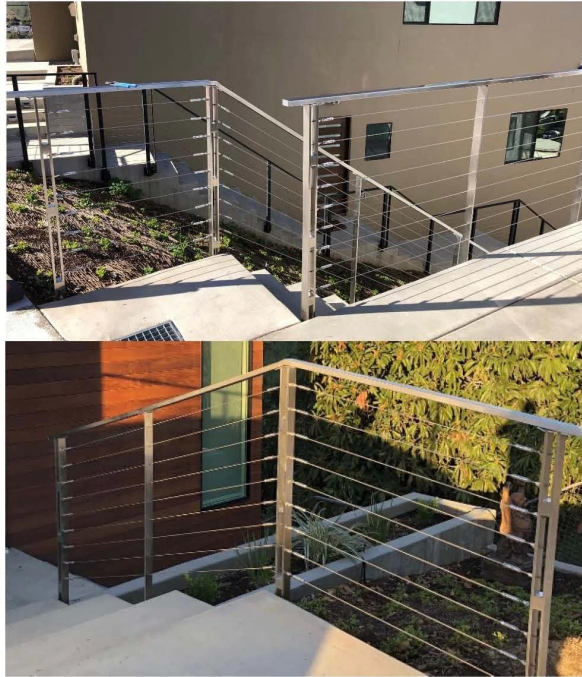




stainless steel cable wire tensioner railing photos galary-

Project photos -

KEBIL 科比奥®





#Other models of stainless steel cable wire tensioner -

