

AS1926:1993 Core drilled in ground glass spigot for pool fence

Material: Stainless steel 316/316L/Duplex 2205

Finish: Satin brushed or mirror polished

For glass thickness:10-13.52mm

Height: 285mm;

Shape: round/suqare

Feature: No drilled on glass;

Origin: Shenzhen

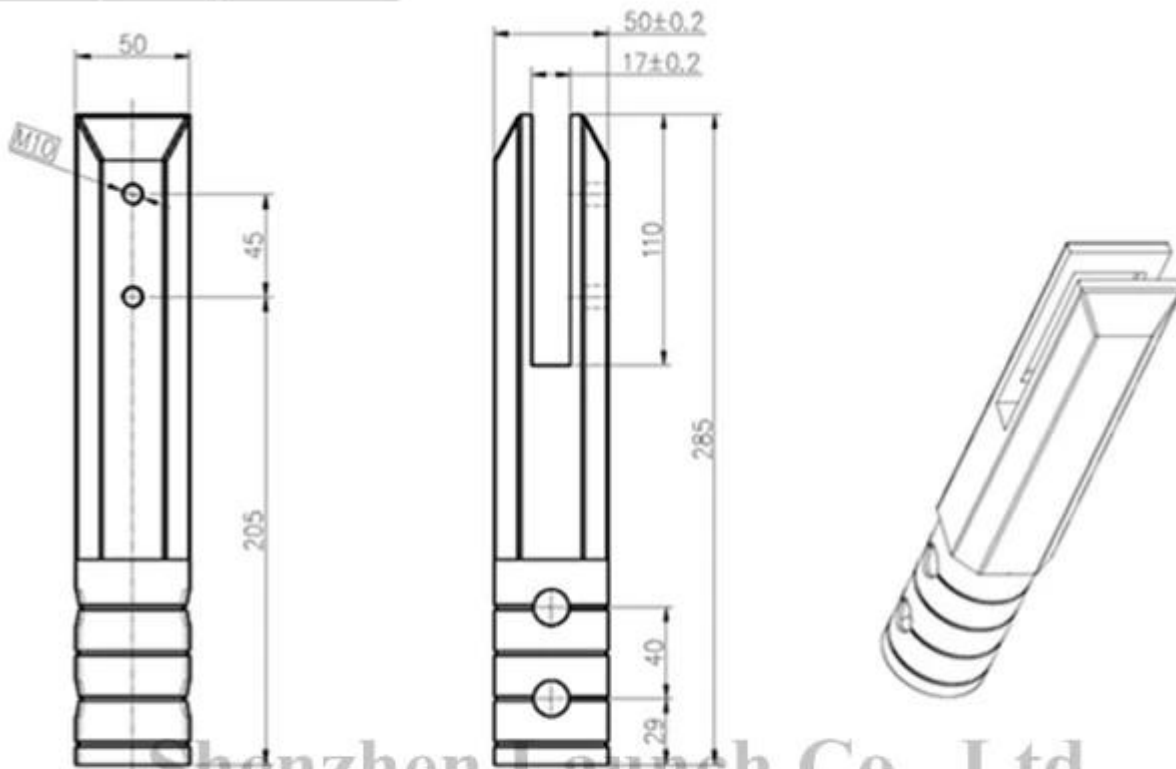


Square shape **SCM-2**

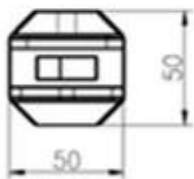


Size drawing of SCM-2
50x50mm

Project name



Shenzhen Launch Co., Ltd



数量共页第页

深圳市朝临商贸有限公司 SHENZHEN LAUNCH CO., LTD.		表面处理
设计	裴佳辉	材料
校对		图号:SCM
工艺		名称:Spigot
审核		线性公差
批准		角度公差
		版次
		Y001

Round shape RCM-2

Diameter 50mm



Project in Australia





Core drilled glass spigot are widely used at outdoor swimming pool fence, balcony/deck frameless glass railing.

Holding glasses very stable(no drilled on glass) and no block of view.

As for glass fence door, we do have glass door hinge and latch available, please see the hardward picture as below.



