

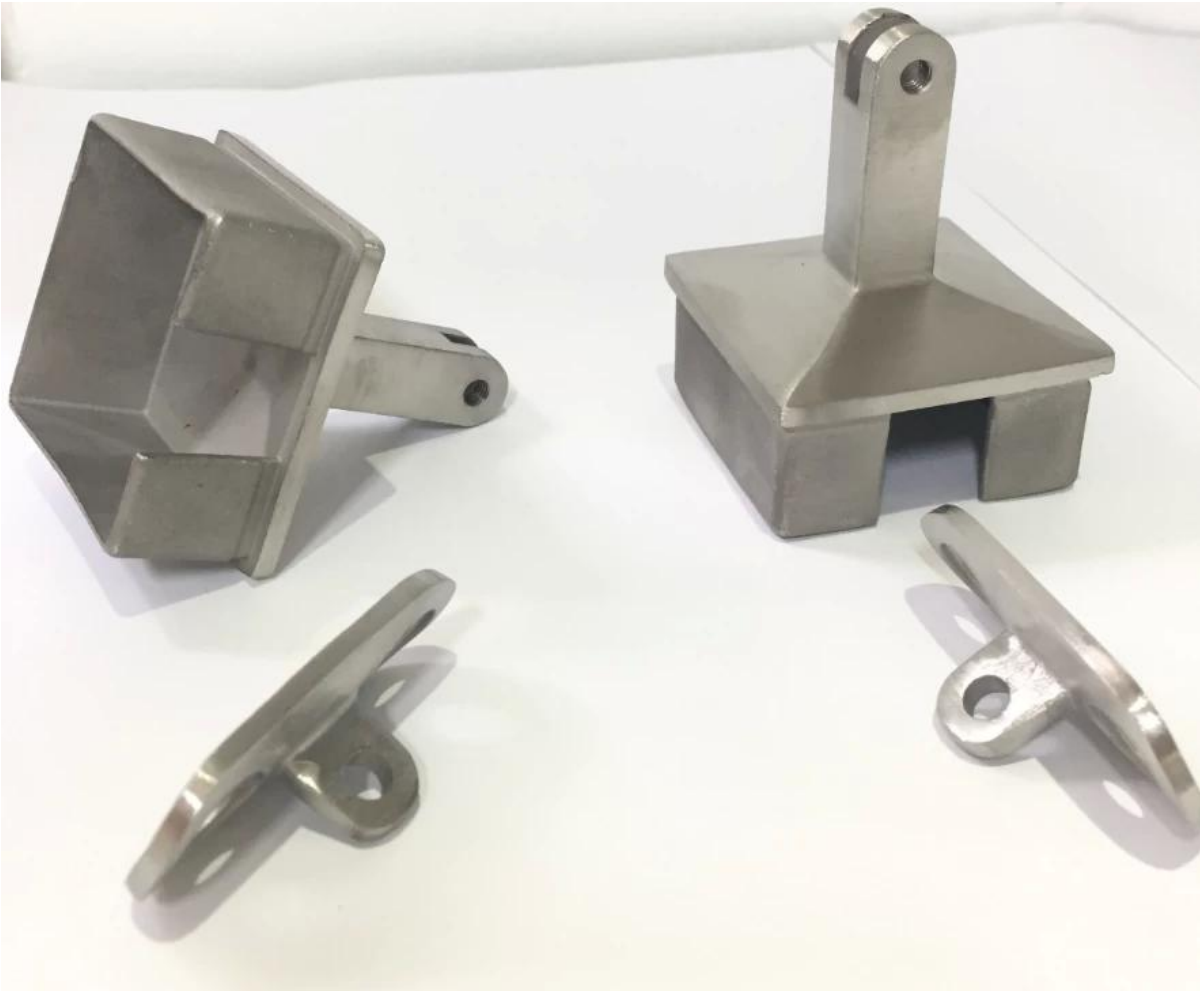
## Description

- Made of stainless steel 316 (stainless steel 304 available)
- Finish: brushed ( polished finish available)
- [Mounting on 40x40mm,50x50mm square balustrade post](#)
- Radius adaptor plate to support diameter 50mm handrail tube (flat adaptor plate available)
- Sample is available to check quality before placing an order
- For both wholesales and retail

## Handrail bracket details

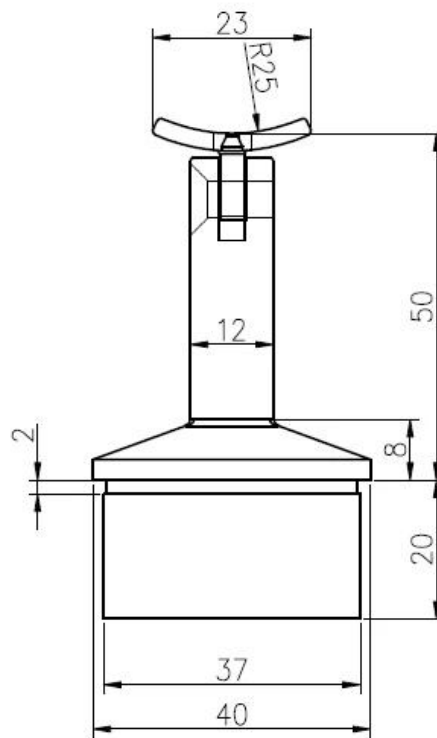
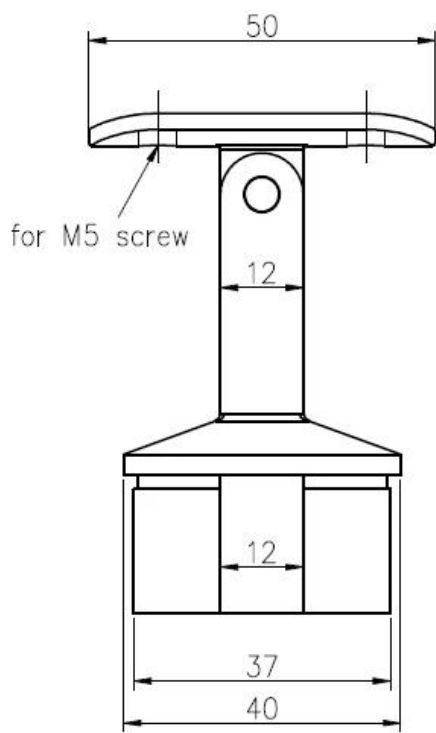




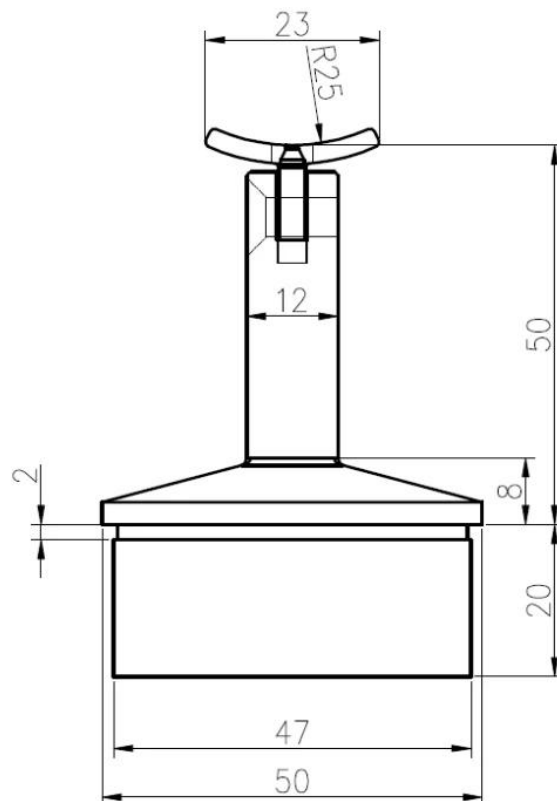
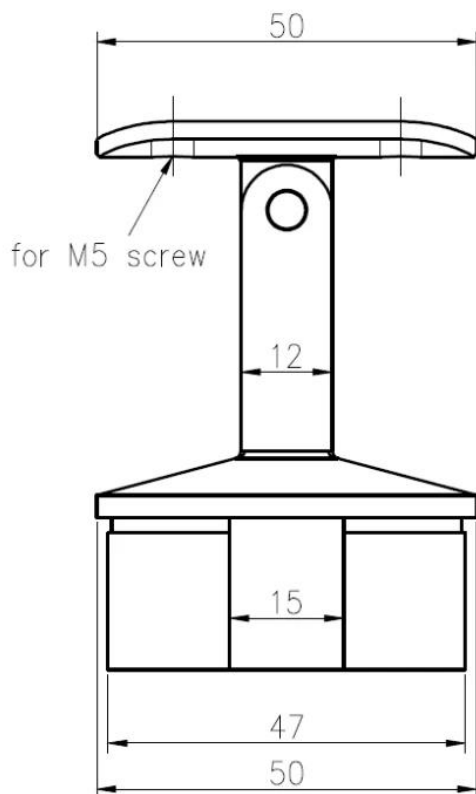


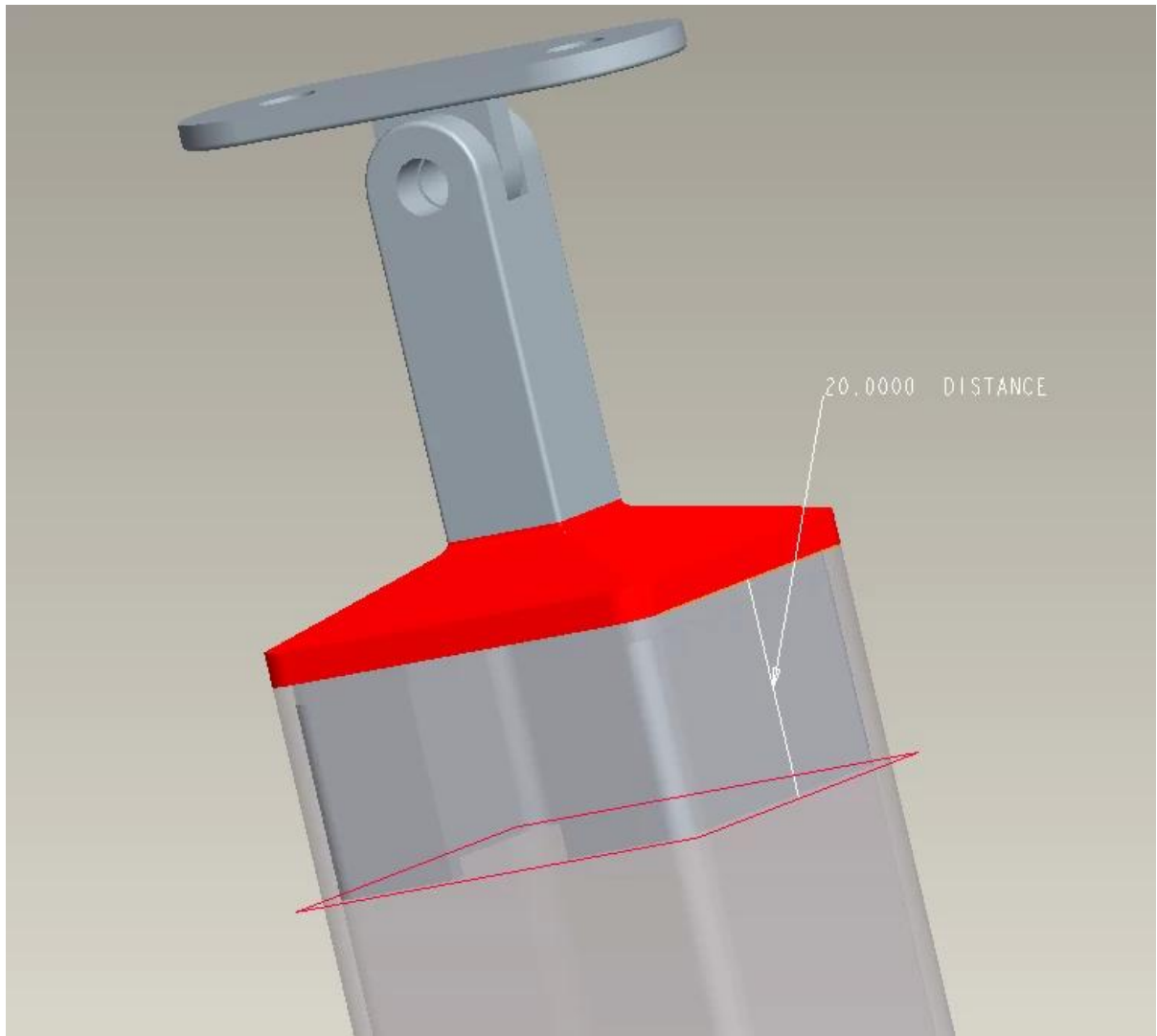
Handrail brackets drawings

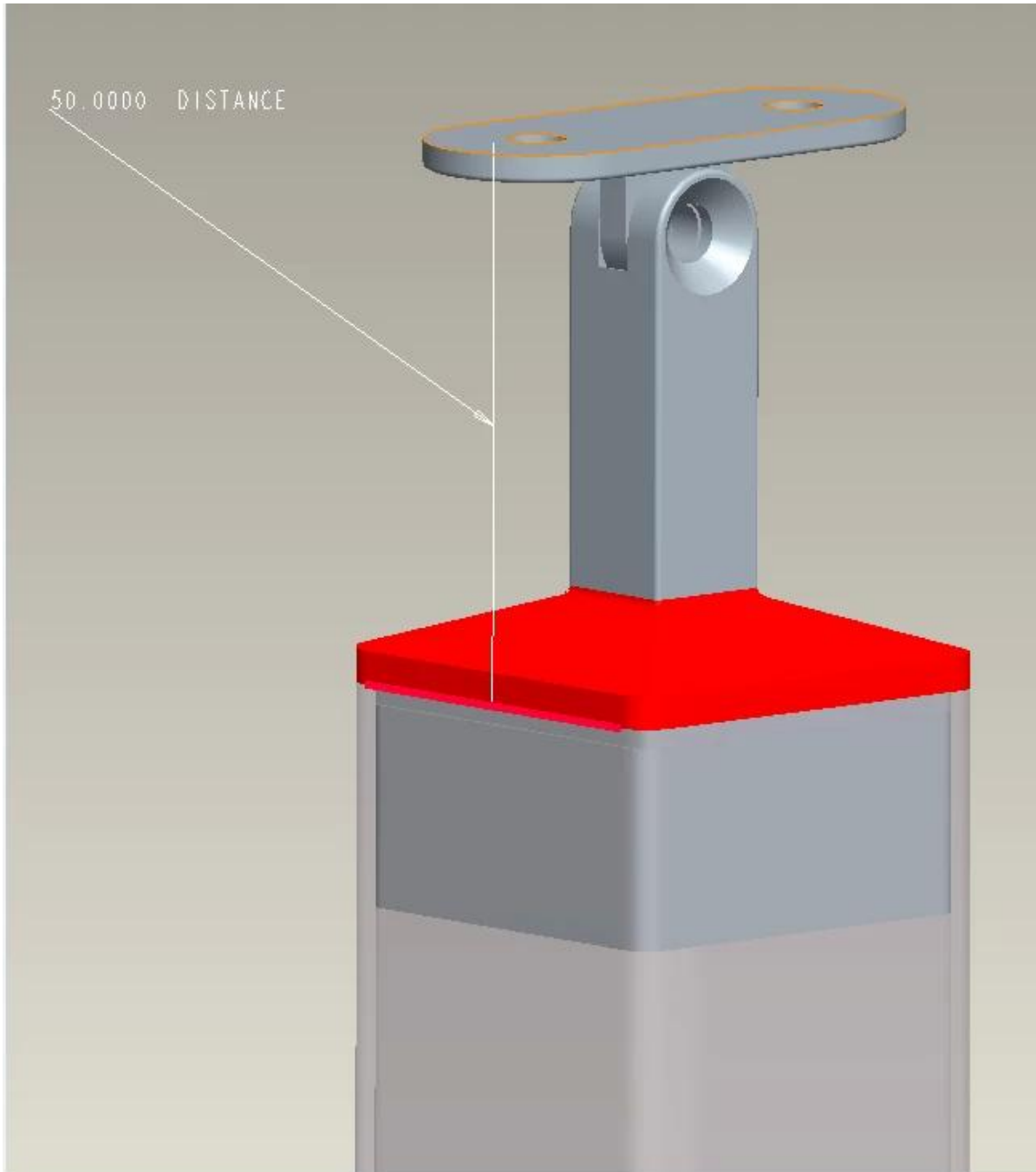
Handrail brackets mounting **40x40mm square tube**



Handrail bracket mounting on **50x50mm square tube**







### Delivery & Packaging

--Delivery: 3-5 days by air. 15-20 days by sea

--Packaging: one piece into one plastic bag, then into one box.

--Regular lead time: 5-7days if products are in stock. 15-20 days if products are not in stock ( It depends on quantity)

Need a quote or any questions, please leave a message.

Or contact me as below info. will get back to you as soon as possible!

For any urgent enquiry, please get in touch on wechat: 973219879 or what's up: +86-13530506265

KEBIL 科比奥®

深圳市朗驰商贸有限公司  
SHENZHEN LAUNCH CO., LTD.

朗驰国际有限公司  
LAUNCH INTERNATIONAL LIMITED.

**董 萍** Doris Dong

Senior Sales Representative

☎ (86) 135 3050 6265

---

深圳市南山区南山大道1092号亿利达大厦B区3栋5003

Room 5003, Building 3, Yilida Building, No.1092  
Nanshan Road, Nanshan District, Shenzhen, China  
postal code 518054

---

☎ (86-755) 8603 7559

☎ (86-755) 8637 2611

✉ sales04@launch-china.cn

🌐 www.launch-china.com

www.chinabalustrade.com