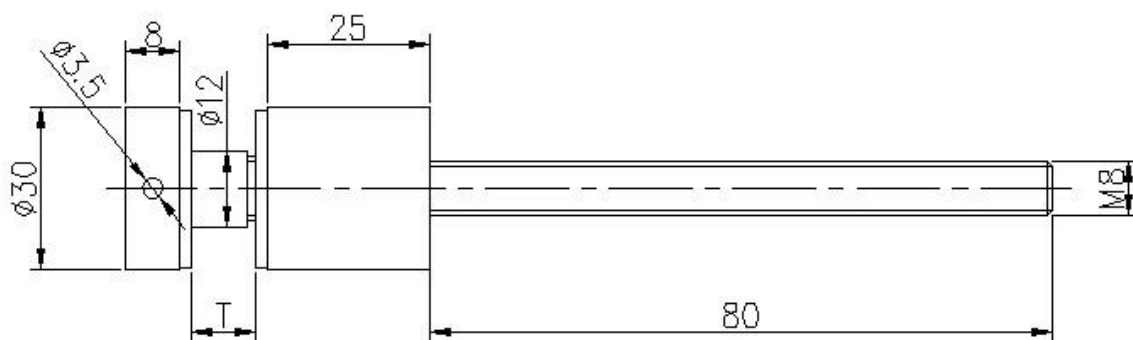


## Description

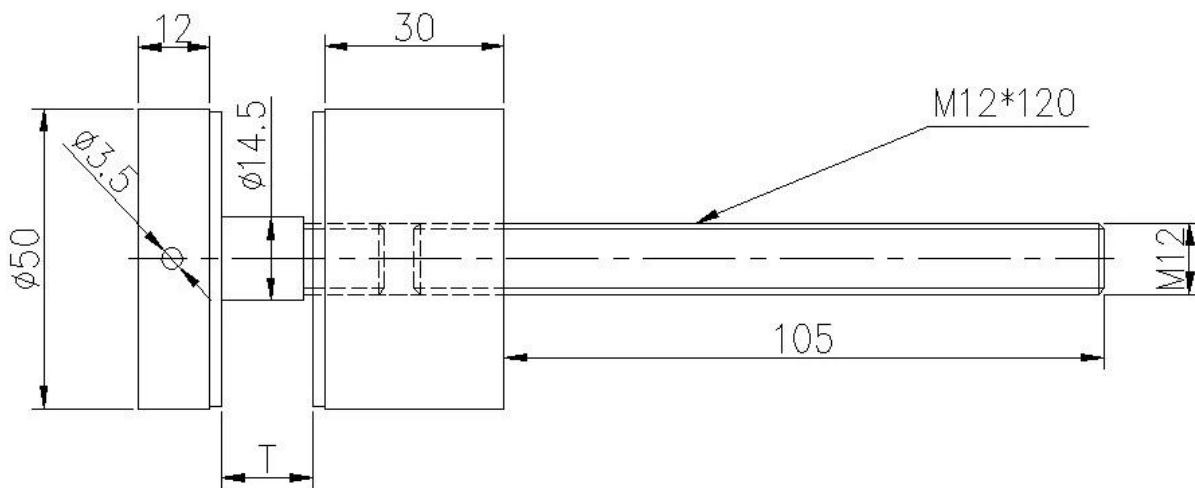
- Material: high grade alloy 316 stainless steel, or as per your requirement
- Finish: brushed or polished
- Diameter 30mm, 50mm or as per your requirement
- Diameter 16mm hole required in glass
- For mounting to steel, concrete, or wood substrate
- For glass thickness: 8-12mm, or as per your requirement
- Base, cap, mounting, rubber washers and grommet are included.
- Sample: available to check quality before placing an order

## Products details

Brushed glass standoff diameter 30mm (Model No. SF-30)



Polished standoff diameter 50mm (Model No. SF-50)



### Project show

Glass standoff for outdoors balcony



Glass standoff for indoor use



Packing & Delivery

- One piece into one plastic bag, then into one box. 8-16 boxes into one carton.
- Delivery time: 3-5 days by air. 10-15 days by sea
- Regular lead time: 7 days after payment if product are in stocks. 15-20 days after payment if products are not in stocks. It depends on quantity.

One piece into one plastic bag, then into one white box.



8-16 boxes into one carton.



Screws packaging separately



Need a quote or any questions, please leave a message.

Or contact me as below info. will get back to you as soon as possible!

For any urgent enquiry, please get in touch on wechat: 973219879 or what's up: +86 13530506265

KEBIL 科比奥®

深圳市朗驰商贸有限公司  
SHENZHEN LAUNCH CO., LTD.

朗驰国际有限公司  
LAUNCH INTERNATIONAL LIMITED.

**董 萍** Doris Dong

Senior Sales Representative

☎ (86) 135 3050 6265

---

深圳市南山区南山大道1092号亿利达大厦B区3栋5003

Room 5003, Building 3, Yilida Building, No.1092  
Nanshan Road, Nanshan District, Shenzhen, China  
postal code 518054

---

☎ (86-755) 8603 7559

☎ (86-755) 8637 2611

✉ sales04@launch-china.cn

🌐 www.launch-china.com

www.chinabalustrade.com