

Black Color Stainless Steel Spigot Glass Clamp for Frameless Glass Railing

Main Features:

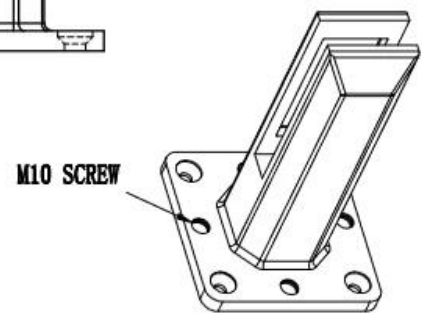
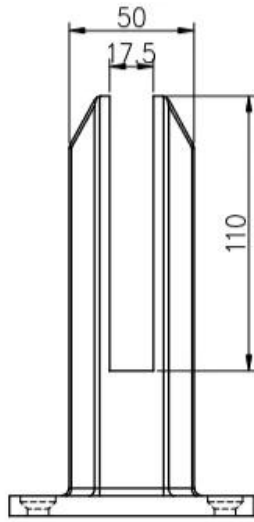
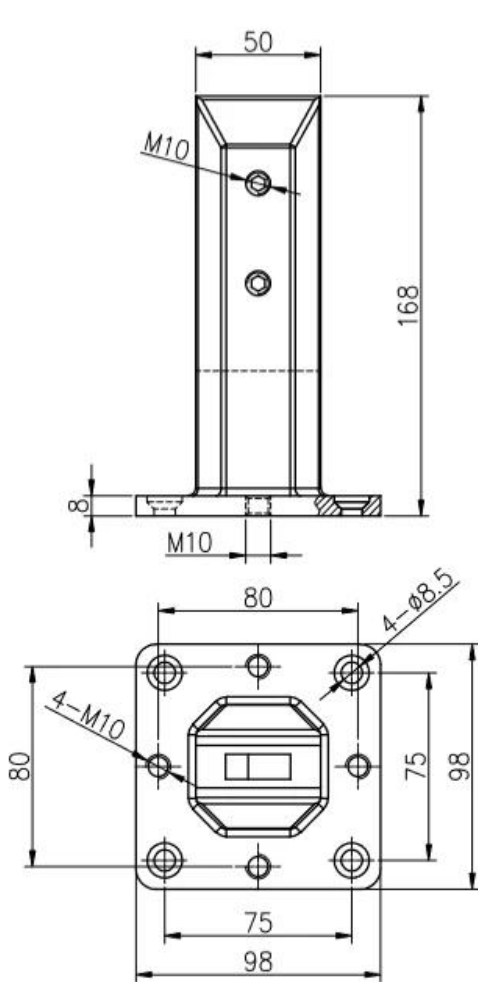
- Australian Standard AS 1926.1-2012: Safety Barriers for Swimming Pools
- Marine grade duplex 2205 stainless steel
- Available finishes in satin, mirror and electro-plating in varied colors
- Easy DIY Installation
- Spigots can be installed via a base plate
- Friction Fit Glass (no holes in glass required)
- Suits 8-13.52mm thick glass
- 50mm Front profile
- 4 x 11mm Counter Sunk Holes for timber screw or Countersunk bolt installation
- Extra 4 holes in the base plate with screws for **levelling adjustment**
- Suitable for Glass Balustrade or Pool Fence Application
- Large stocks available for hot-sale models

Product name	Black Color Stainless Steel Spigot Glass Clamp for Frameless Glass Railing
Model No.	SBM-3
System name	Glass fence spigot
Material	Stainless steel 316 or Duplex 2205
Finished	Polished, satin or electroplated in black/gold
Installation	Configuration briefness and easy to install
For glass thickness	8-13.52mm
Package	Standard packaging without any logo, can adjust customers request
Payment terms	T/T 30% deposit advanced, balanced before shipping
Delivery time	1-2 weeks upon confirmation
MOQ	1pc per item

Products Show:

Black Color Stainless Steel Spigot Glass Clamp for Frameless Glass Railing SBM-3:



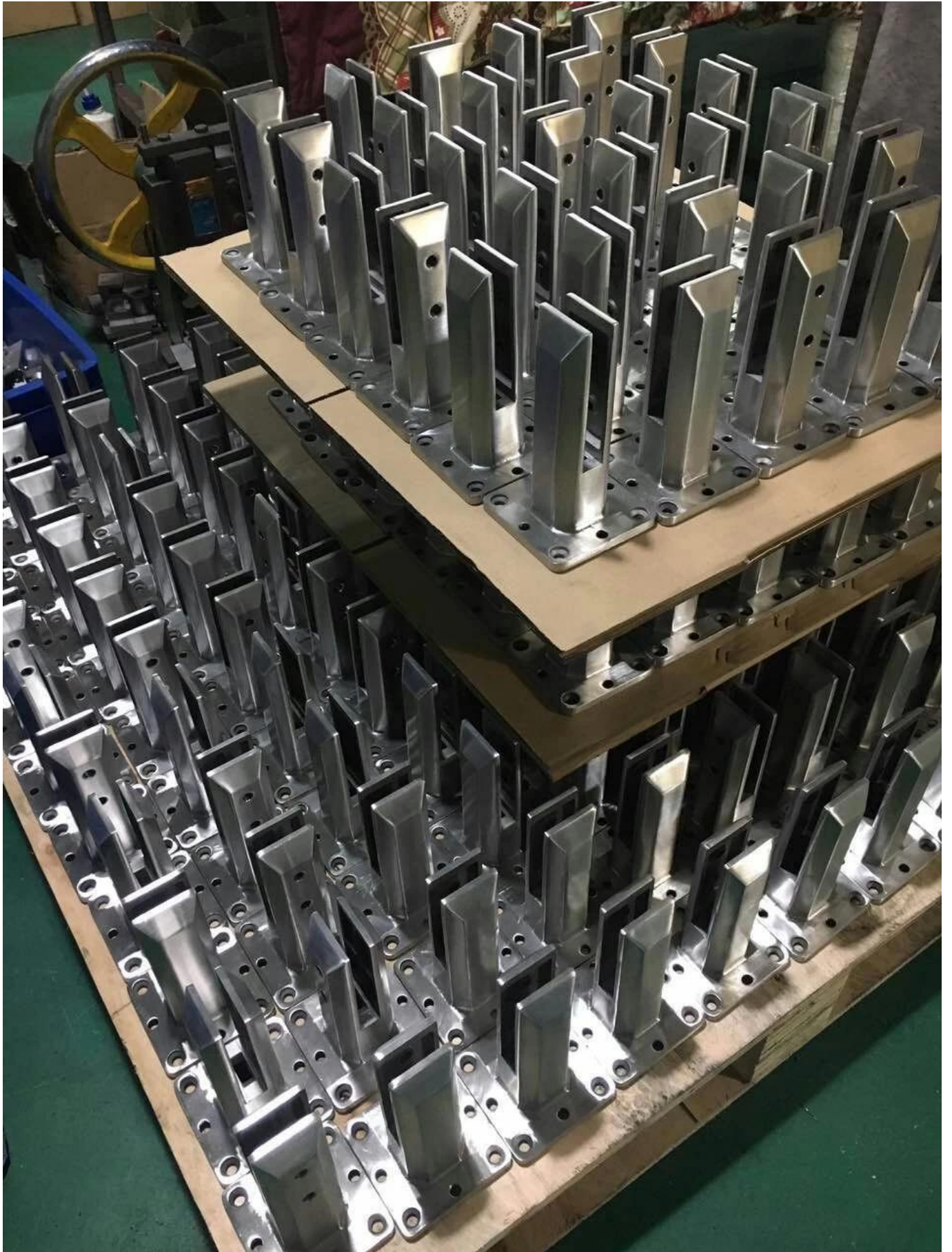


深圳市朗馳商貿有限公司 SHENZHEN LAUNCH CO., LTD.		Surface treatment	Proportion
Design	Jacky	Material	1:2
Check	Drawing NO: SM	No note of entity size tolerance	
Craft	Name:	Linear tolerance	X ±0.1
Audit	Revision	Linear tolerance	XX ±0.1
Approve	VOG1	Angle tolerance	X ±1°
		Angle tolerance	XX ±0.5°

Project Photos:



Satin Brushed Stainless Steel Spigot Glass Clamp for Frameless Glass Railing
SBM-3:





Gold/black polished Stainless Steel Spigot Glass Clamp for Frameless Glass Railing SBM-3:

Black Polished

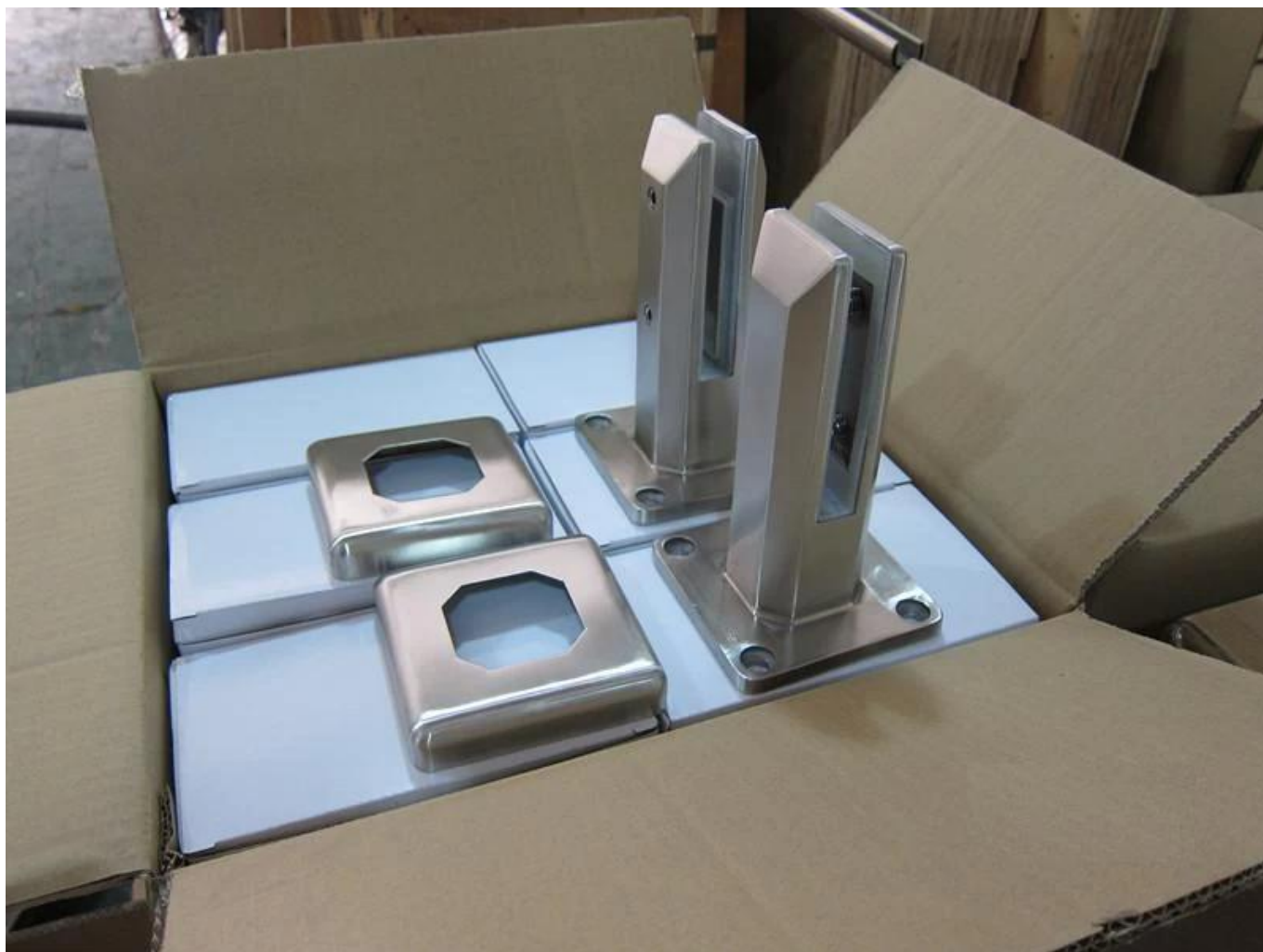


Gold polished



Packing:





Shenzhen Launch Co., Ltd is a professional manufacture with design, production and sales of stainless steel hardware, glass railing fittings, handrails accessories and other products.

WHY CHOOSE US

Competitive price: China mainland manufacture

Good quality: 14 years experienced technical

Excellent service: 14 years of export experience all over the world

Different designs are available according to customer requests

Shenzhen Launch Co., Ltd was established in 2004, located at Nanshan District, Shenzhen, and one hour by car from Hongkong International Airport. Our main product is high-grade building materials includes stainless steel balustrade post, staircase handrail, balcony guardrail, swimming pool fence and other high-grade building materials. All the products are designed strictly according to the high-end market requirements. We have our own factory in Tangxia Town, Dongguan, has a variety of precision equipment more than 50 sets: CNC lathe, milling machine, punching machine, pipe cutter, argon welder, drilling machine, polisher, etc. which can provide customers with complete product processing services. With the German SPECTRO Spectrometer, we insist on testing every batch of materials to ensure that the material is highly qualified. We also have hardness gauge, secondary element and other test equipment to ensure the products meets customers' requirements.

ABOUT US



OUR ADVANTAGE

Please do not hesitate to contact us if you have any requirement regarding our production lines, you can expect a timely reply with professional solutions!



Own factory, shortest lead time.



Can help customers design product drawings based on customer ideas and design engineering installation drawing according to the customer site sketch.



Sample order, trial order acceptable.



Provide material test report to ensure that the material is qualified.



13 years of industry experience, we can help customers recommend the best solution to help customers save cost.

OUR FACTORY

More than 13 years experience in hardware industry design and processing, we can provide customized services from design to the sample and small batch trial production.



OUR CERTIFICATE

With premium quality, competitive price and superior service, we won a lot of customers' favor.
Our products are popular in North America, European and Australia.



PRODUCTION PROCESS



Casting



CNC lathe



CNC Milling



Stamping



Drilling & Tapping

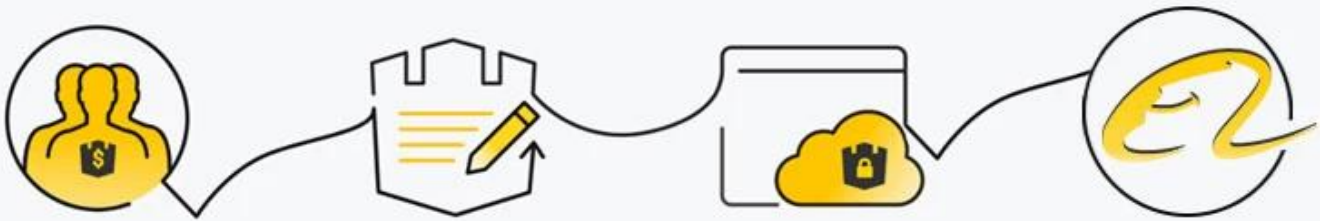


Polishing



PAYMENT & TRANSPORTATION

Welcome Alibaba Trade Assurance Order!



- 1 Start an order
- 2 Negotiate terms with our sales service & confirm order
- 3 Make payment
- 4 Alibaba provide full assurance



Packing & Delivery
Packing Details :

1. Each spigot is wrapped with plastic film and air bag, and then put in a carton.
 2. 100 spigots are packed in one box plywood case.
 3. Also can be packed as clients' requirements.
- Delivery Details : 10-15 workdays after payment.

Contact us now for more information!

Email: sales03@launch-china.cn

Mobile: [+8613686807796](tel:+8613686807796)