

Black Glossy Mirror Polished Stainless Steel D Shape Glass Panel Clamp Clip

Product Name	Stainless Steel D Shape Glass Panel Clamp Clip
Brand	Kebil
Material	Stainless steel 304, 316
Surface Treatment	Satin brushed, mirror polished, black
Package	Individually In Plastic Bag, Standard Carton For Outer Packing
Certificate	ISO 9001-2000
Usage	(1) For Construction And Handrail Use. (2) In Shopping Mall, House. Railing Glass Clamps
Features	Made Of Stainless Steel, Beautiful Outlook, Easy To Clean, Good Quality Etc.
Related Keywords	Glass Clamp / Stainless Steel Glass Clamp / Stainless Steel Clamp / Glass Balustrade Clamp / Glass Clip / Frameless Glass Clamp
Application	Decoration, Widely Used On Stainless Steel Balustrade & Handrails. Indoor Or Outdoor Decorations.
Lead Time	2-4 weeks.
MOQ	10 pieces.

Port: Shenzhen, China

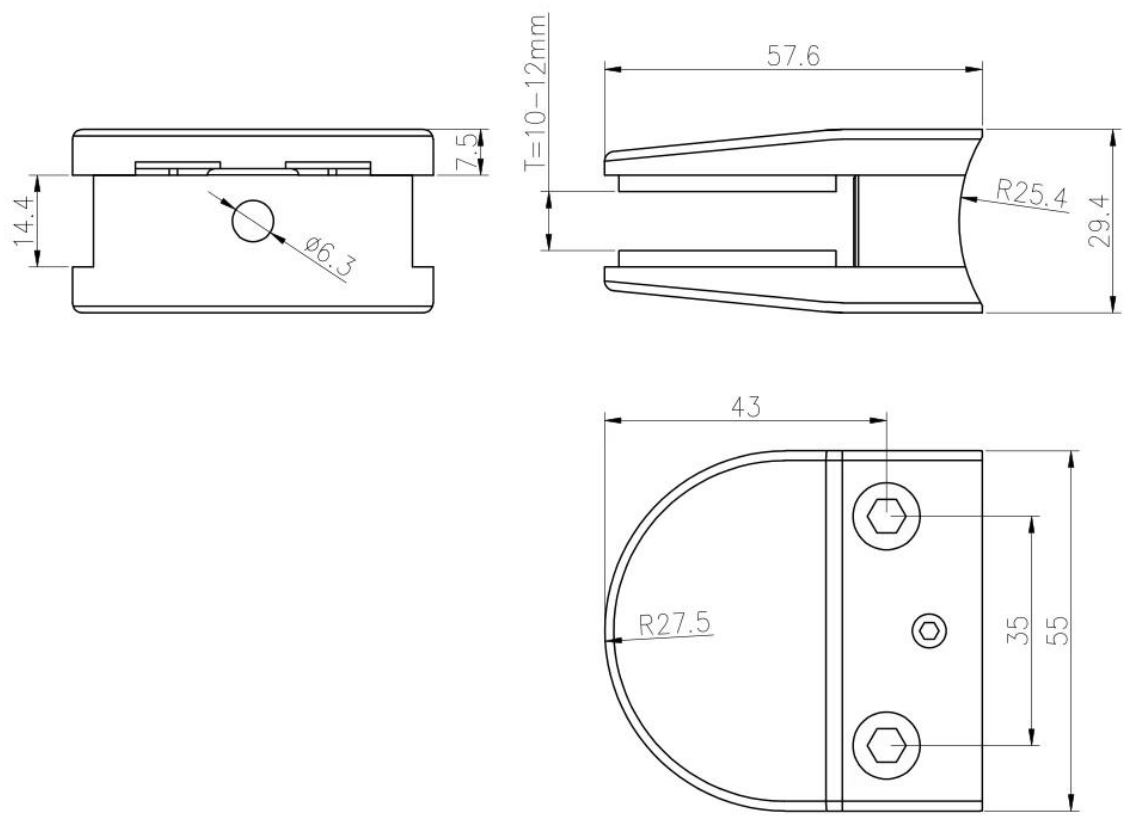
Trade terms available: FOB , CIF , C&F , CFR , EX-WORKS

Payment terms available: T/T ; L/C at sight ; Western Union , Alibaba Escrow

Product Images:







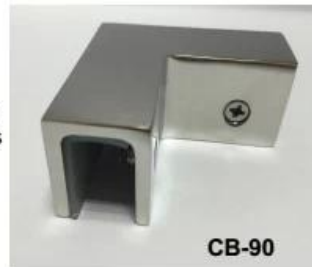


Different types of glass clamps with dimensions:



BC-80x35

- Square 80x35mm clamps
- To hold **180°** glass panels
- For 8-12mm glass



CB-90

- Corner glass clamp
- To hold **90°** glass panels
- For 8-12mm glass



BC-60

- Round ϕ 60mm clamps
- To hold **180°** glass panels
- For 8-12mm glass



PV-90

- Corner glass clamp
- To hold **90°** glass panels
- For 12-15mm glass



CB-180

- **Glass to wall** clamps
- For 8-12mm glass



PV-135

- Corner glass clamp
- To hold **135°** glass panels
- For 8-12mm glass

Specifications of all glass clamps in our company

Drawing	Picture	Ref.	A	B	C	D	E
		G108	55	55	25	11	0
		G108R	58	55	30	11	R25.4
		G101	51	41	25	11	0
		G101R	55	41	25	11	R21.5/R25.4
		G102	44	44	25	11	0
		G102R	48	44	25	11	R21.5/R25.4
		G103	50	40	22	8	0
		G104	50	40	26	12	0
		G105	54	45	28	14	0
		G107	63	45	28	14	0
		G103R	52	40	22	8	R21.5
		G104R	52	40	26	12	R21.5
		G105R	58	45	28	14	R21.5/R25.4
		G107R	66	45	28	14	R21.5/R25.4
		G106	50	40	25	12	0
		G106R	52	40	25	12	R21.5/R25.4

This type of glass clamp can be fixed to post and wall.





the clamp usually used with stainless steel post to hold glass panels, for balcony railing, terrace railing, staircase.

Suitable for both indoor and out door.





WHY CHOOSE US:

1. High quality of handrail, railing and glass clamp;
2. Fashion design and complete product line;
3. Competitive price and easy to installation;
4. Material: stainless steel 316 or stainless steel 304;
5. Customer design: our experienced engineer team can developed the products and manufacture in accordance with samples, drawings or only ideas;
6. For more handrail fittings, Stainless steel railing and glass clamp, please email us for full catalogue .

Shenzhen Launch Co., Ltd was established in 2004, located at Nanshan District, Shenzhen, and one hour by car from Hongkong International Airport. Our main product is high-grade building materials includes stainless steel balustrade post, staircase handrail, balcony guardrail, swimming pool fence and other high-grade building materials. All the products are designed strictly according to the high-end market requirements. We have our own factory in Tangxia Town, Dongguan, has a variety of precision equipment more than 50 sets: CNC lathe, milling machine, punching machine, pipe cutter, argon welder, drilling machine, polisher, etc. which can provide customers with complete product processing services. With the German SPECTRO Spectrometer, we insist on testing every batch of materials to ensure that the material is highly qualified. We also have hardness gauge, secondary element and other test equipment to ensure the products meets customers' requirements.

ABOUT US



OUR ADVANTAGE

Please do not hesitate to contact us if you have any requirement regarding our production lines, you can expect a timely reply with professional solutions!



Own factory, shortest lead time.



Can help customers design product drawings based on customer ideas and design engineering installation drawing according to the customer site sketch.



Sample order, trial order acceptable.



Provide material test report to ensure that the material is qualified.



13 years of industry experience, we can help customers recommend the best solution to help customers save cost.

OUR FACTORY

More than 13 years experience in hardware industry design and processing, we can provide customized services from design to the sample and small batch trial production.



OUR CERTIFICATE

With premium quality, competitive price and superior service, we won a lot of customers' favor.
Our products are popular in North America, European and Australia.



PRODUCTION PROCESS



Casting



CNC lathe



CNC Milling



Stamping



Drilling & Tapping

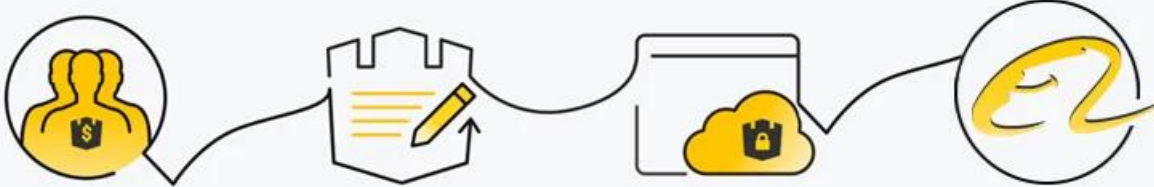


Polishing



PAYMENT & TRANSPORTATION

Welcome Alibaba Trade Assurance Order!



1 Start an order

2 Negotiate terms with our sales service & confirm order

3 Make payment

4 Alibaba provide full assurance



FAQ

1.Are you factory?

Yes, we are factory.

2.Do you offer free samples?

Yes, we offer free samples, but customers need to pay express charges.

3.What materials do you have?

We have the material of stainless steel 304, 316, 316L and Duplex 2205.

4.What is your MOQ?

MOQ of order required is 1 pc.

5.What kind of payment do you accept?

We accept the payment of T/T, LC, PayPal, West Union, etc.

6.What is your payment term?

Our payment term is T/T(100% or 30/70)or LC at sight .

7.What is your delivery time?

Our delivery time is from 5days to 30days base on your quantity.

8.Do you offer OEM & ODM service?

Yes we offer OEM&ODM service.

9.Do you offer after-sales service?

Yes, we offer after-sales service. Any complaint for orders will be dealt with in time within 12 hours.

Contact us immediately for more information!

Email: sales04@launch-china.cn

HP/WhatsApp/WeChat: +8615989339827