

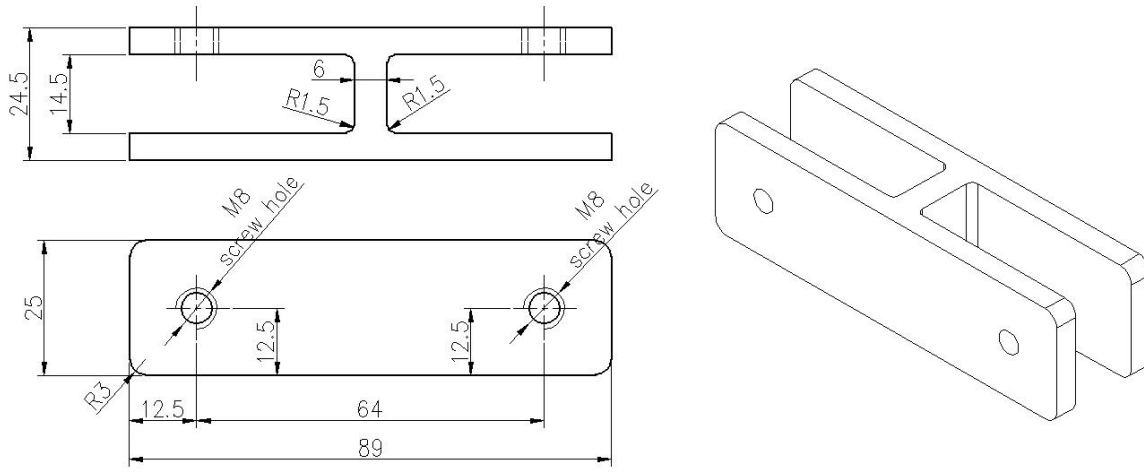
Black color powder coating 304/316 stainless steel 180 degree glass clamps used for glass railings .

1) Features of 180 degree glass clamps-

Model No.	CB-180B
Material	304/316 stainless steel
Finish	black color powder coating
Glass thickness	10mm-12mm

2) Photo /Drawing for 180 degree glass clamp-





Other designs of glass clamps available -

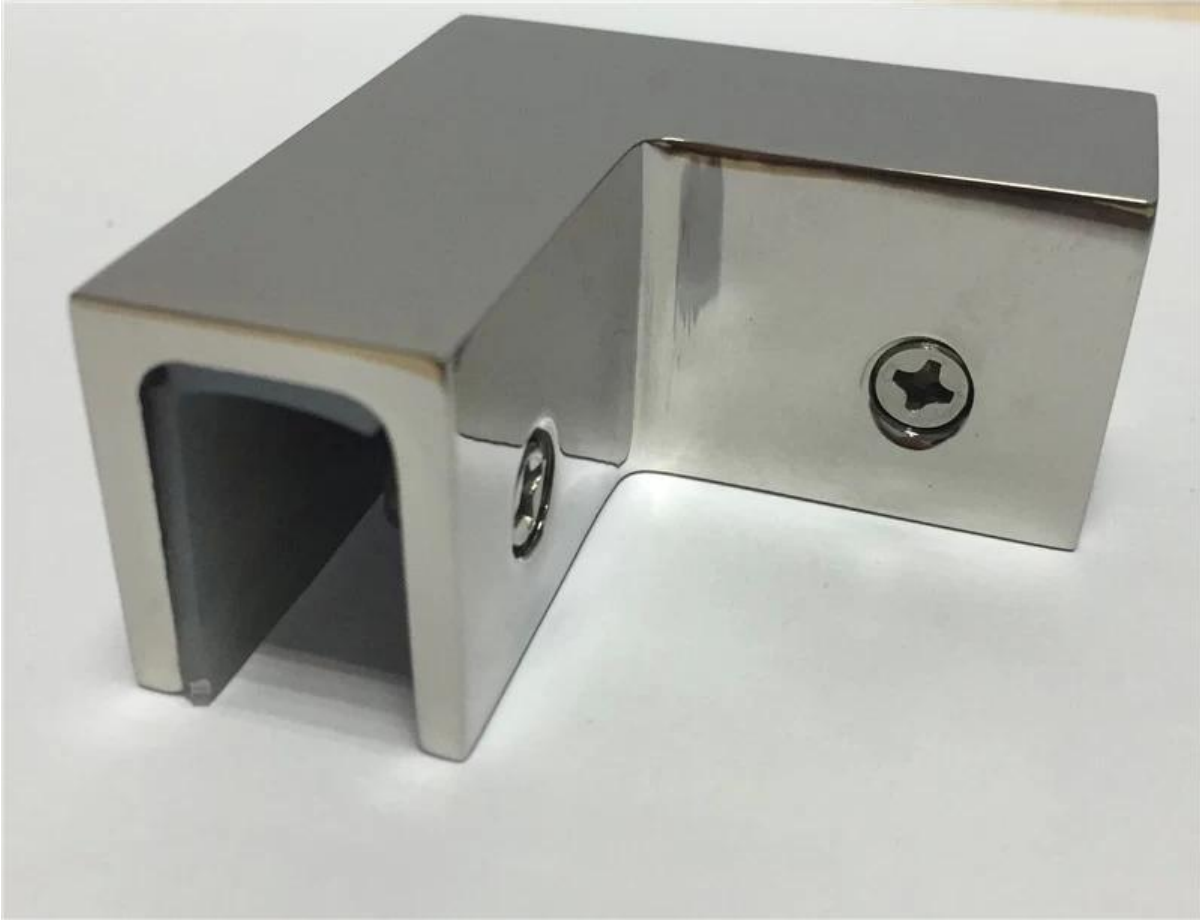
180 degree glass clamp , BC-80\*35



180 degree glass clamp , BC-60



90 degree glass clamp CB-90



90 DEGREE glass clamp PV-90



For price details , feel free to contact us now -  
CELIA CHEN

sales01@launch-china.cn

0086 13590273543