

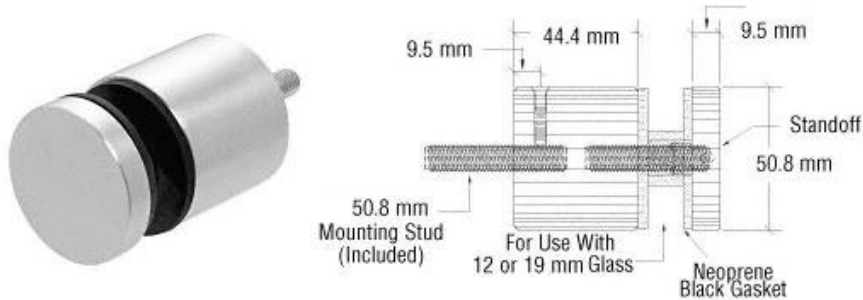
# C.R. LAURENCE RS0B2134BS CRL Brushed Stainless Glass Rail Standoff Base and Cap

## 1. Standoff details :

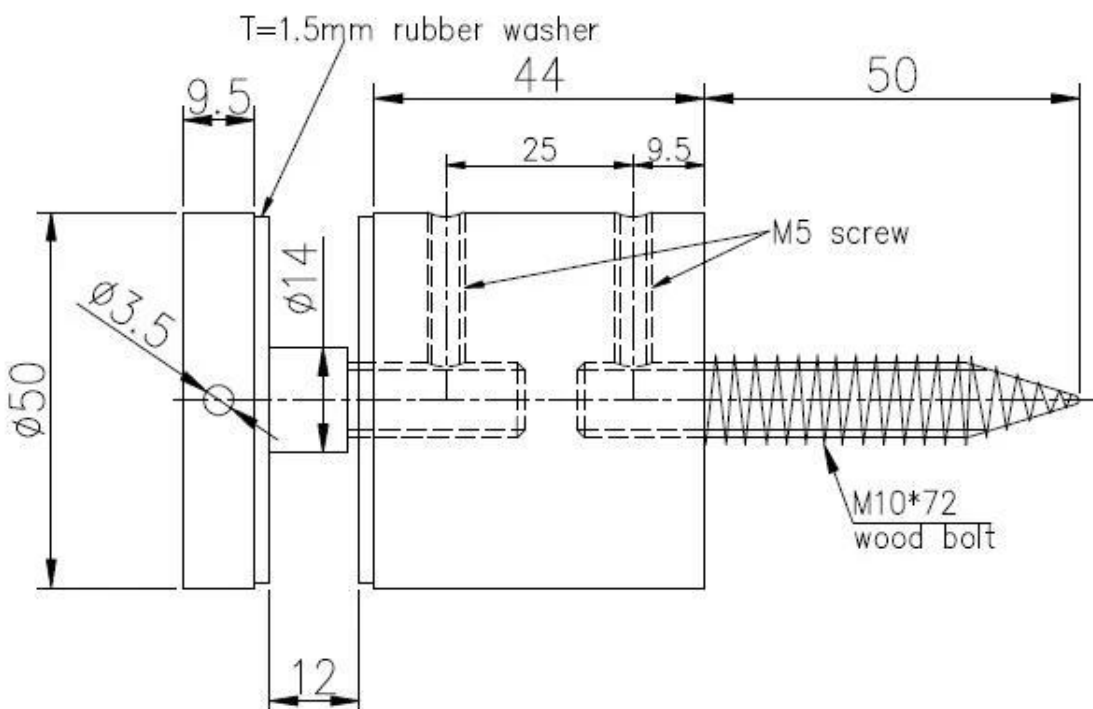
- High Grade Alloy 316 Stainless Steel Standard
- Finish: Brushed (Mirror polished also available)
- Compact Design with Base, Cap, and Mounting Stud
- For Use with 1/2" or 3/4" (12 or 19 mm) glass
- For Mounting to Steel, Concrete, or Wood Substrate

## 2. Design drawing :

C.R. LAURENCE design drawing :



We actually production drawing, as customer request, which fitting for 12mm glass :



3. Elegant Performance photos :





Back section Screw in separately packaging :



Please feel free to contact us with any questions you might have.

Email: [sales02@launch-china.cn](mailto:sales02@launch-china.cn) . Skype: [launch-02](https://www.skype.com/name/launch-02).