

# Cable Railing Fittings Stainless Steel Cable Tensioners

## Product Description

---

Product Name	Cable Railing Fittings Stainless Steel Cable Tensioners
Material	Stainless steel 316 / stainless steel 304
Finish	Mirror polished / satin brushed
For cable diameter	3mm (or as per customer's requirement if quantity is large)
Net weight	74g/set
Installation	Could install in steel post and timber post Need hydraulic crimper to tighten
Payment Term	PayPal, West Union, T/T
Manufacture Method	CNC machining (high quality)
Packaging Details	1) One piece into one bubble bag 2) 15 sets into one cardboard carton Or packing as customers' requirements
Application	Staircase cable railing, balcony cable railing, deck cable railing, wire rope railing
Factory Inspection	Welcome
Sample	Available before order
MOQ	No limited. You can order as per your job requirement.
OEM & ODM Service	Available

## Cable Tensioner T807A Details

---

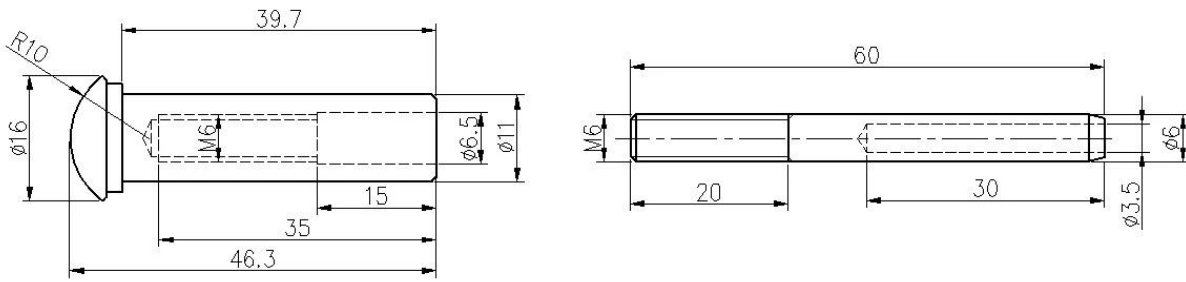
1) Cable tensioner T807A real shot photos



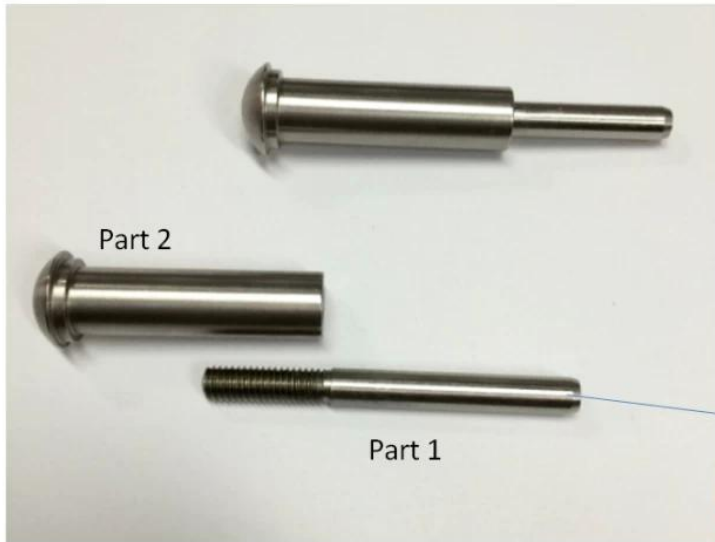




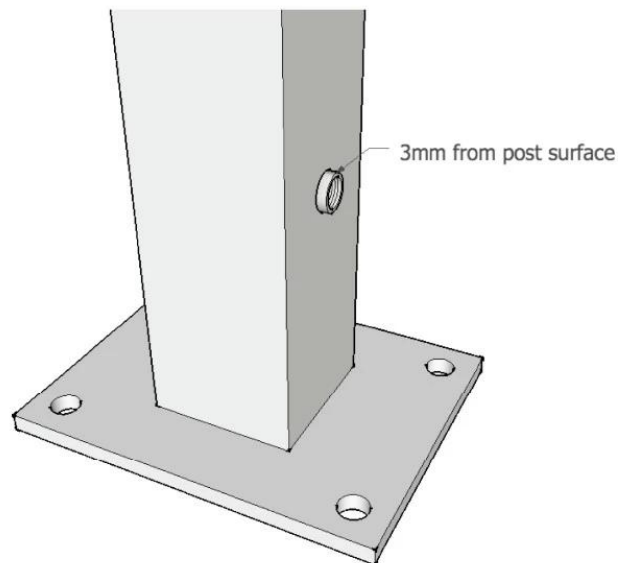
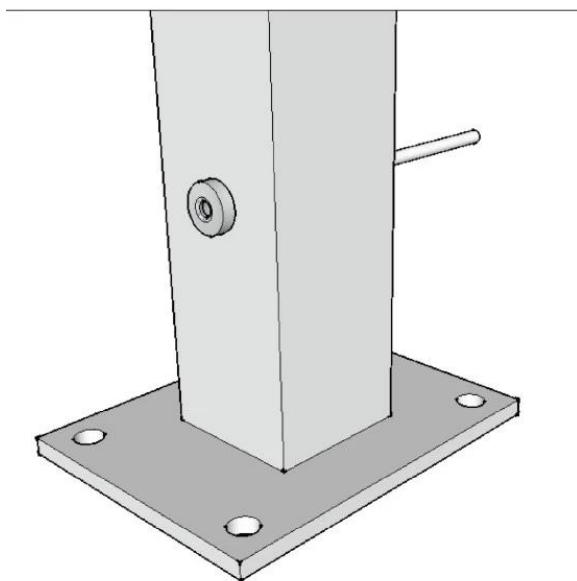
2) Cable tensioner T807A drawing



### 3) Cable tensioner T807A installation guide



Put cable inside part 1 and tighten with hydraulic crimper , then let part 2 go Through post and then screw together With part 1 .



We also provide other produces for cable railing:

- 1) Cable railing balustrade post



- 2) Stainless steel wire rope
- 3) Different designs cable tensioner

### **Cable Tensioner T807A Safety Packaging**

1. One piece into one bubble bag, 15 sets into one cardboard carton.
2. Packing as customers' requirements.



### **FAQ**

**1.Are you factory?**

Yes, we are factory.

**2.Do you offer free samples?**

Yes, we offer free samples, but customers need to pay express charges.

**3.What materials do you have?**

We have the material of stainless steel 304, 316, 316L and Duplex 2205.

**4.What is your MOQ?**

MOQ of order required is 1 pc.

**5.What kind of payment do you accept?**

We accept the payment of T/T, LC, PayPal, West Union, etc.

**6.What is your payment term?**

Our payment term is T/T 100% or 30/70 or L/C at sight .

**7.What is your delivery time?**

Our delivery time is from 5 days to 30 days based on your quantity.

**8.Do you offer OEM & ODM service?**

Yes we offer OEM&ODM service.

**9.Do you offer after-sales service?**

Yes, we offer after-sales service. Any complaint for orders will be dealt with in time within 12 hours.

## **Contact**

---

Any enquiries or questions, please leave a message. Will get back to you as soon as possible!

For any urgent enquiry, please get in touch below:

-Email: sales04@launch-china.cn

-Tel: (86-755) 8603 7559

-Skype: launch\_04

-Mob/whats APP: +86-15989339827