

Cable Railing Stainless Steel Balustrade Wire Fittings

Model No.	T803
Material	Stainless steel 304/316
Surface treatment	Satin brushed or mirror polished
Type	Solid, swageless type
Installation	Easy DIY install, no need hydraulic crimper
For cable diameter	3mm, 4mm, 5mm or 6mm
Application	Balcony/Deck/Stair/Porch/Veranda Railing, Balustrade, handrail designs

Product Photos:



With thread bolt for installing to steel/stainless steel balustrade posts:



M6*30mm thread

With wood screws for installing to wooden balustrade posts:



Installation Instructions:

T803 cable fitting, installation instructions

Type 1: without hydraulic crimper



Type 2: with hydraulic crimper



Mount to steel or concrete

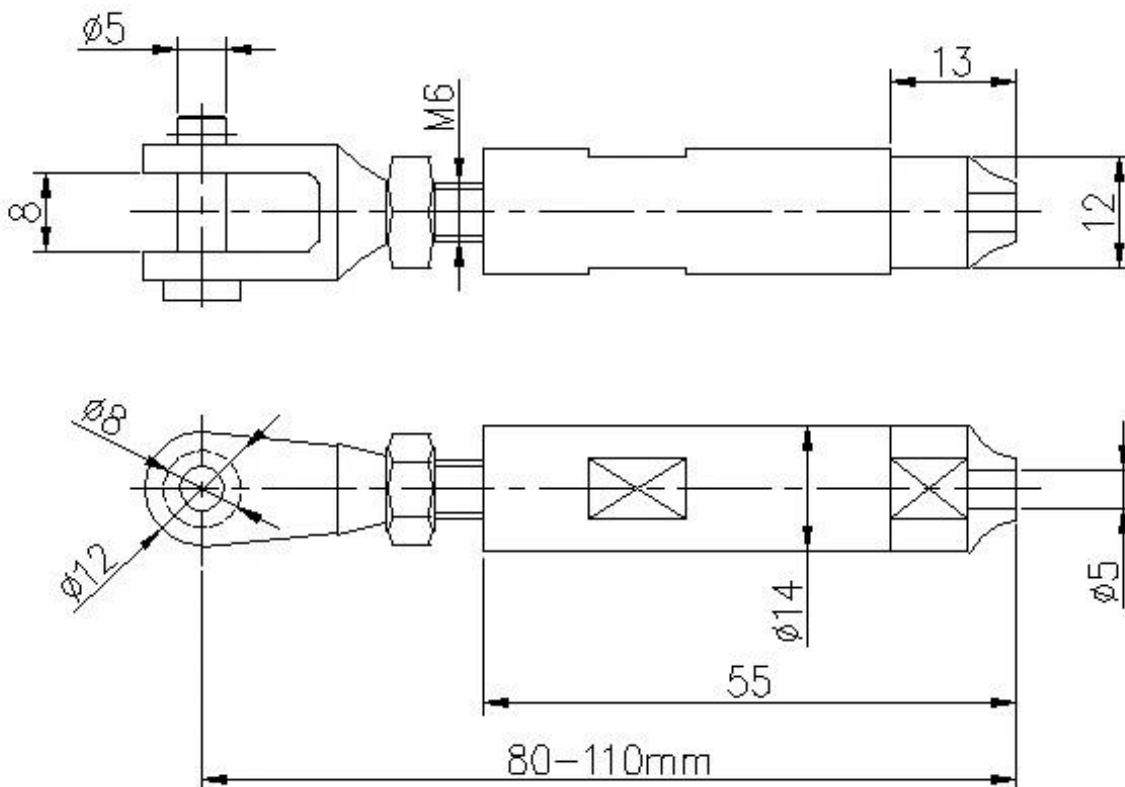


Wood screws, for wood mount

Hydraulic crimper



Technical Drawing:



Packing:



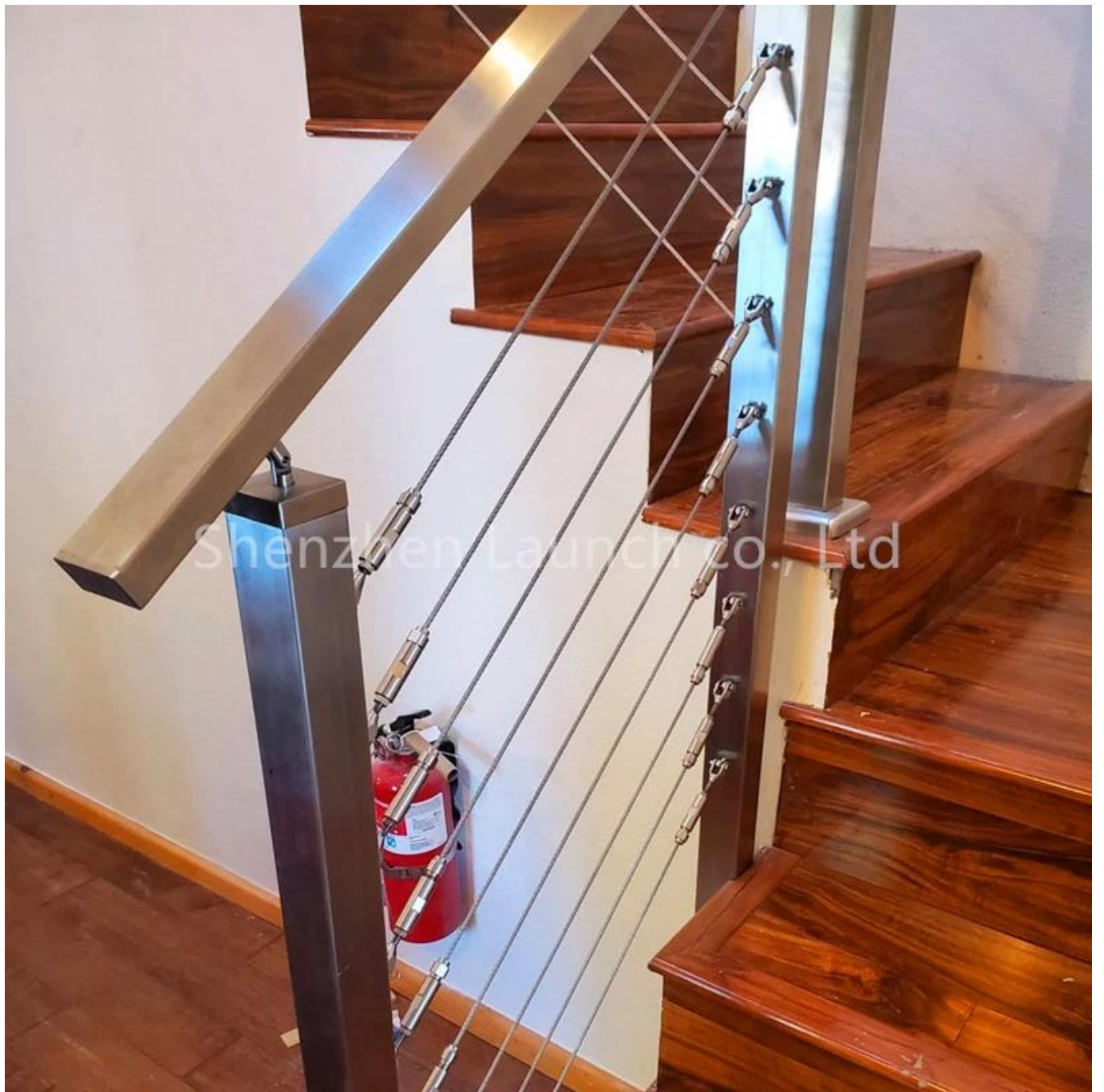


Type 316 stainless steel has the best corrosion resistance among standard stainless steels.

It resists pitting and corrosion by most chemicals, and is particular resistant to saltwater corrosion.

These can be used for a variety of applications.

Project photos:







Contact us for more information:
HP/WhatsApp/WeChat: +8615989339827
Wendy E-mail: sales04@launch-china.cn