

## Cable Railing Stainless Steel Cable Tensioner End Fitting for 1/8" 3mm Wire Rope

### Specifications:

Product Name	Cable Railing Stainless Steel Cable Tensioner End Fitting for 1/8" 3mm Wire Rope
Material	Stainless steel 304 / 316
Finish	Mirror polished or satin brushed
For cable diameter	3mm
Net weight	74g/pair
Hydraulic crimper	Yes, Hydraulic crimper required to tighten cable
Cable tensioner installation	Steel or stainless steel post
Manufacturer method	CNC machining (high quality)
Cable tensioner safety packaging	(1) Bubble bag--box--carton (2) As per customer's requirements.
Cable tensioner Application	Indoor and outdoor balcony / deck / stairs / terrace cable railing designs
MOQ	One pair (2 pieces)
Sample	Available
Factory inspection	Acceptable
OEM & ODM Service	Acceptable



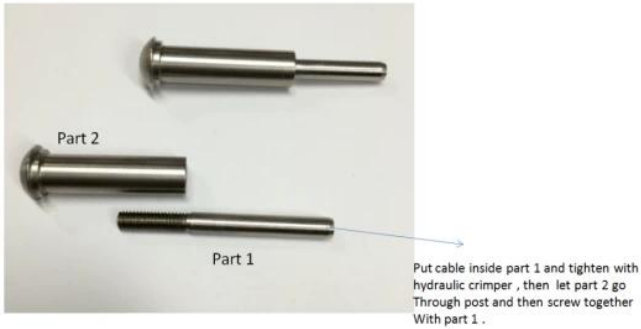
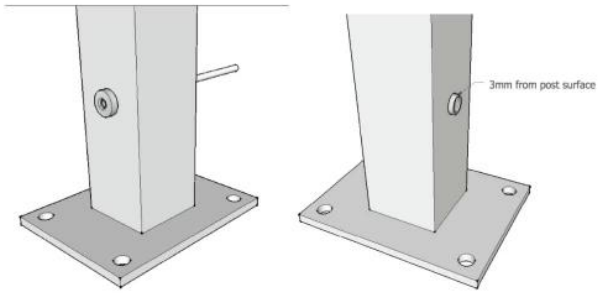




**Installation:**

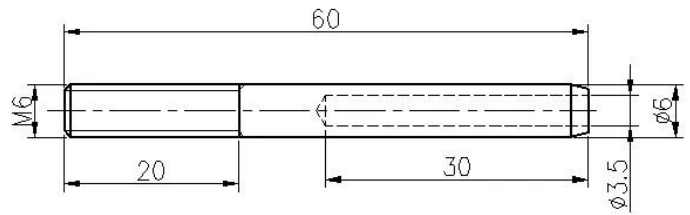
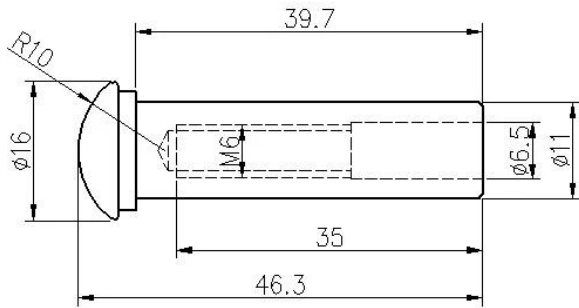


# Cable fitting T807A installtion



Hydraulic Crimper

## Technical Drawing:



## Project Photos:





**Type 316 stainless steel has the best corrosion resistance among standard stainless steels. It resists pitting and corrosion by most chemicals, and is particular resistant to saltwater corrosion.**

**These can be used for a variety of applications. Sail boats and yachts, cable railing, and for shade sails.**

- 1) Material: stainless steel 316 or stainless steel 304**
- 2) Surface finish: highly polished or satin brushed**
- 3) Standard: Metric and UNF**

- 4) Customer design: our experienced engineer team can developed the products and manufacture in accordance with samples, drawings or only ideas**
- 5) Delivery: by sea, by air or by express service**
- 6) Price term: FOB or CIF**
- 7) Sizes: from 3mm to 6mm or as per your requests**
- 8) Type: Swaged countersunk head end, swaged flathead end and swaged domehead end**
- 9) Packing: clean poly bags and cartons and pallets or as per requests**
- 10) For more swage adjuster, please email us for full catalogue**



Shenzhen Launch Co., Ltd was established in 2004, located at Nanshan District, Shenzhen, and one hour by car from Hongkong International Airport. Our main product is high-grade building materials includes stainless steel balustrade post, staircase handrail, balcony guardrail, swimming pool fence and other high-grade building materials. All the products are designed strictly according to the high-end market requirements. We have our own factory in Tangxia Town, Dongguan, has a variety of precision equipment more than 50 sets: CNC lathe, milling machine, punching machine, pipe cutter, argon welder, drilling machine, polisher, etc. which can provide customers with complete product processing services. With the German SPECTRO Spectrometer, we insist on testing every batch of materials to ensure that the material is highly qualified. We also have hardness gauge, secondary element and other test equipment to ensure the products meets customers' requirements.

## ABOUT US

### Our Team



# OUR ADVANTAGE

Please do not hesitate to contact us if you have any requirement regarding our production lines, you can expect a timely reply with professional solutions!



Own factory, shortest lead time.



Can help customers design product drawings based on customer ideas and design engineering installation drawing according to the customer site sketch.



Sample order, trial order acceptable.



Provide material test report to ensure that the material is qualified.



13 years of industry experience, we can help customers recommend the best solution to help customers save cost.

# OUR FACTORY

More than 13 years experience in hardware industry design and processing, we can provide customized services from design to the sample and small batch trial production.



# OUR CERTIFICATE

With premium quality, competitive price and superior service, we won a lot of customers' favor.  
Our products are popular in North America, European and Australia.





# PRODUCTION PROCESS



Casting



CNC lathe



CNC Milling



Stamping



Drilling & Tapping



Polishing





# ***PACKAGING & DELIVERY***



# PAYMENT & TRANSPORTATION

Welcome Alibaba Trade Assurance Order!



- 1 Start an order
- 2 Negotiate terms with our sales service & confirm order
- 3 Make payment
- 4 Alibaba provide full assurance



Contact us for more information:  
MB/Whatsapp: +8615989339827

E-mail: [sales04@launch-china.cn](mailto:sales04@launch-china.cn)