

## China Manufacture Stainless Steel Glass Railing Designs



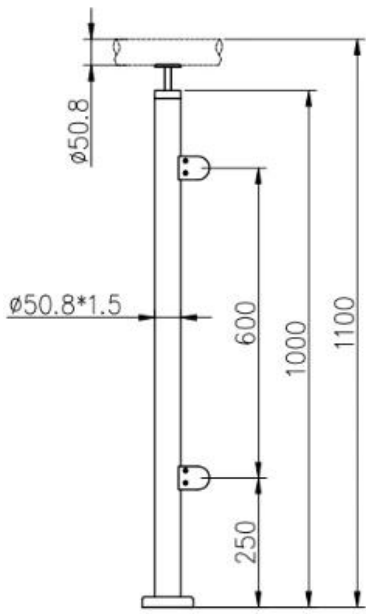
1	Material and finish	304/316 stainless steel; Satin finish or mirror
2.	Height	1000mm / custom sizes
3	Stuccheon post	D50.8 * 1.5 (mm) tube; 4-way adjustable upper railway bracket; Square or round glass clamp.
4	Top rail.	D50.8 * 1.5 (mm) cable tube
5	Safety railing	10 mm / 12mm transparent tempered glass panel
6	Use e Position	Balauster, balustrade, banister, fence, handrail, railings; Balcony, bridge, bridge, garden, patio, swimming pool, porch, staircase, terrace
7	Installation	Top / side mounted
8	Package	EPE + Inner box + cardboard

## Product Show

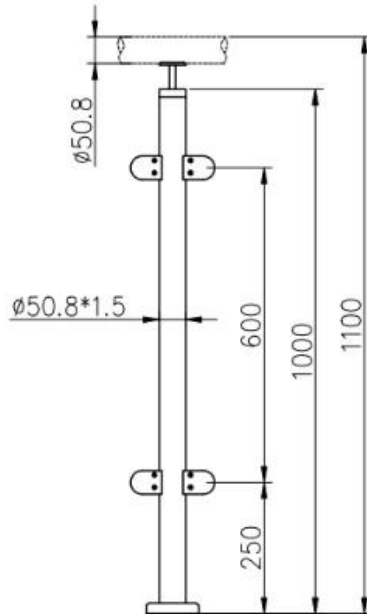


**Technical Drawing**

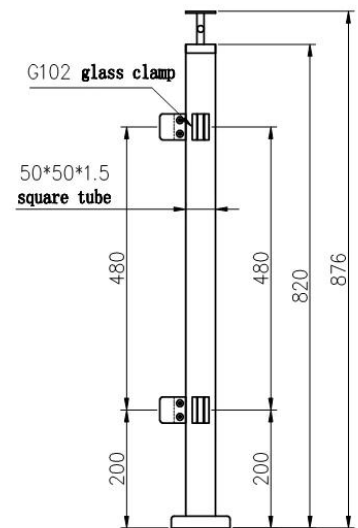
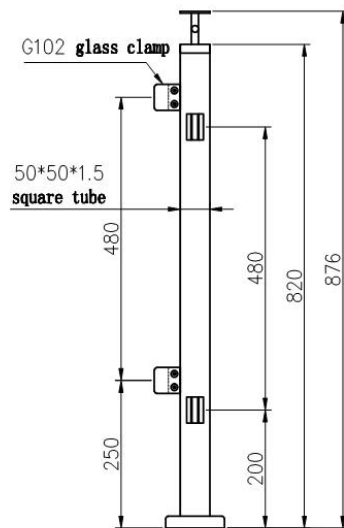
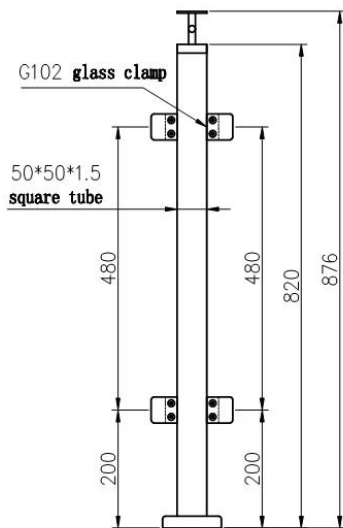
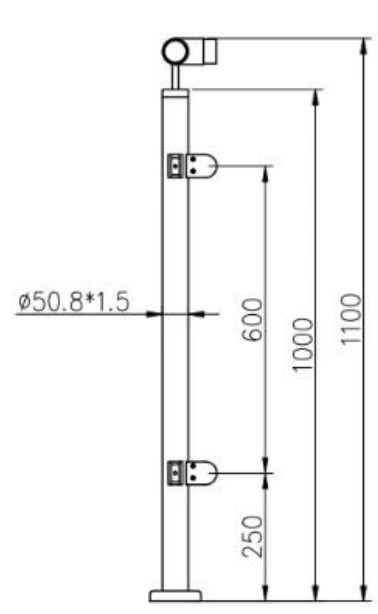
**LCH-106**



**LCH-107**



**LCH-108**



**Installation:**

## Glass Clamp Installation Guide



Mark and centre punch desired location of blind rivet nut location.



Drill centre punched hole in tube to suit blind rivet nut.



Insert blind rivet nut into tube and fasten with blind rivet tool.



Check installed blind rivet nut is secure and ready for install.



Align half glass clamp with blind rivet nut inline position. Screw in button head cap screw into thread and tighten with hex key.



Select appropriate rubber gasket to suit glass panel thickness. Install rubber gasket into both sides of glass clamp. (Note rubber gasket marked with sizes).



If heavier clamping load is required please use supplied glass clamp pin, during the install process. Note glass panels will require drilling in order to fit glass clamp pins.



Fit glass panel into position, install second half of glass clamp secure with provided hex screws.

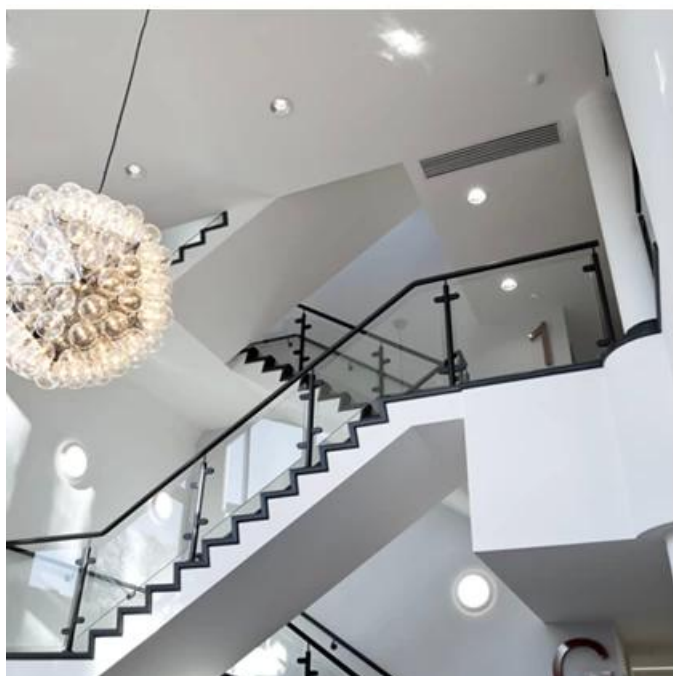


Tighten glass clamps with hex key, and check glass panel are secure with no movement.

## Project show:

China Manufacture Stainless Steel Glass Railing Designs





Welcome to contact me for more details:  
Wendy: [sales04@launch-china.cn](mailto:sales04@launch-china.cn).  
HP / WHATSAPP / Wechat: +8615989339827