

Customized CNC Machining Steel Wheel Classic with R8RS Bearing

Production description:

Material: steel

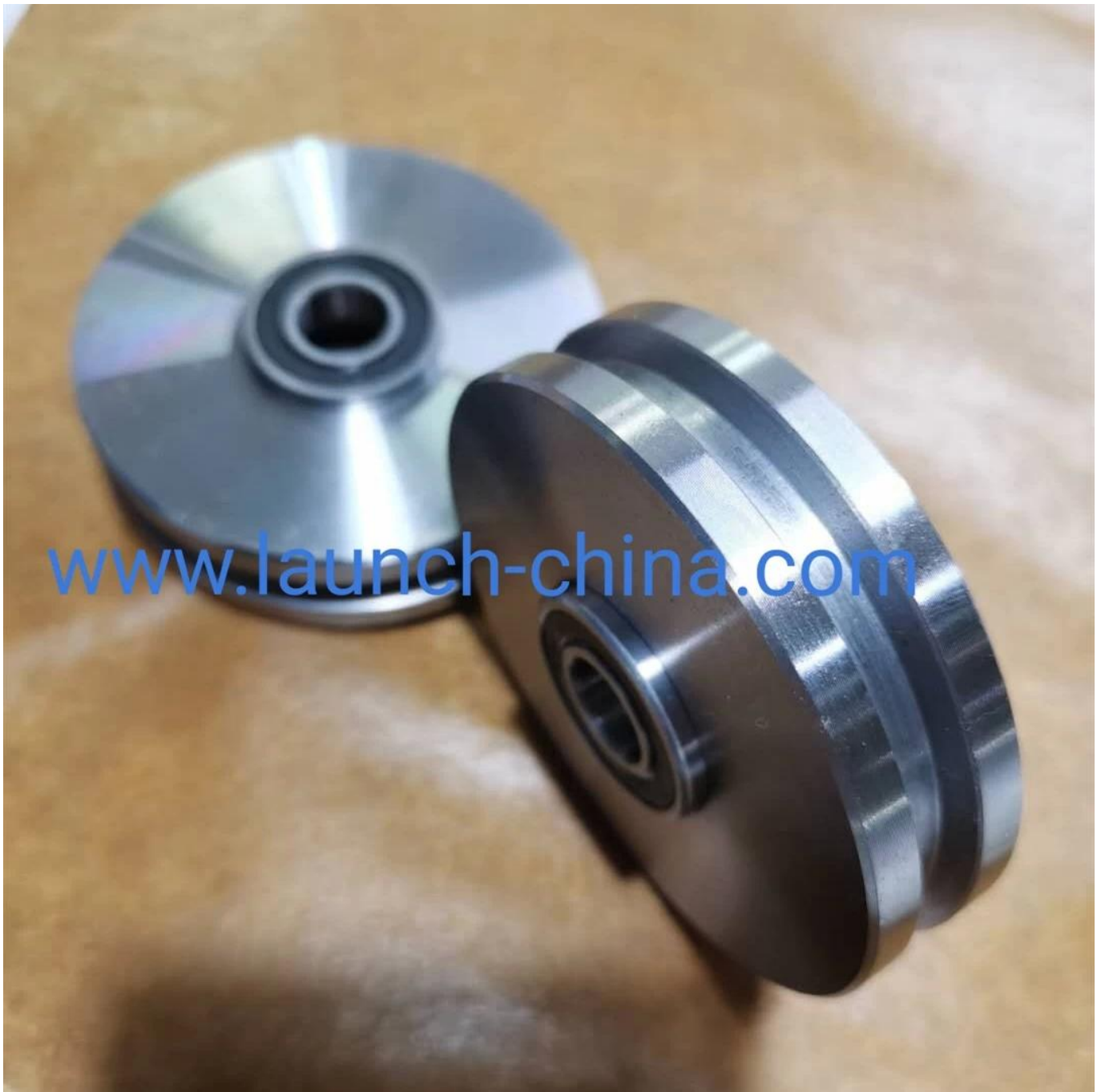
Finish: natural finish, light oil treatment

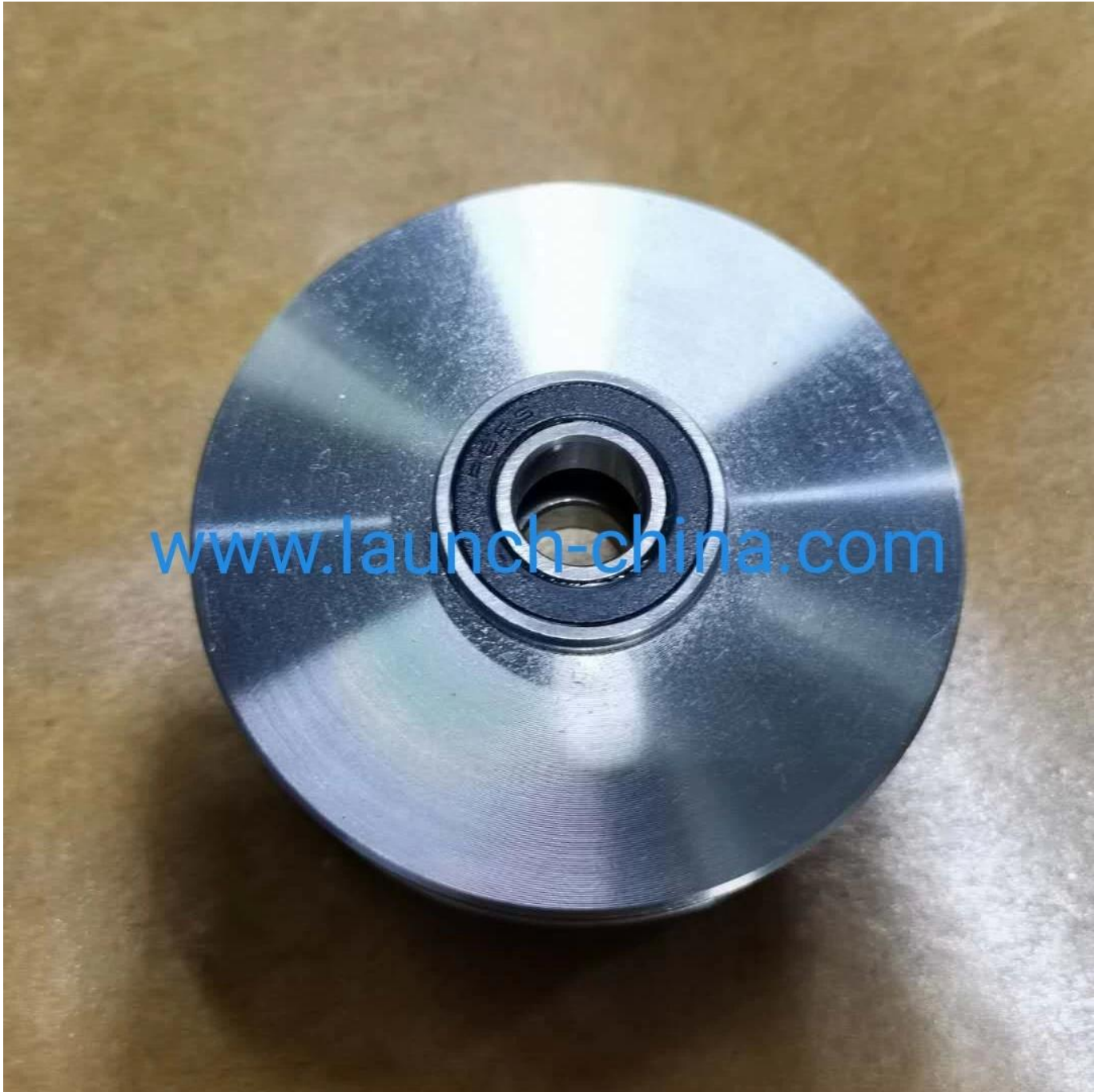
Side: 3" OD

CNC machining

Includes(2)-R8 2RS 0.5" IDx1.125" R8 2RS 1 Row Double Seal Radial Ball Bearing

Product pictures:

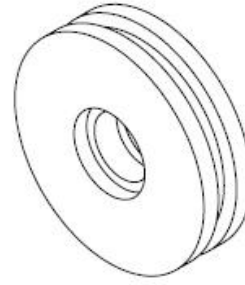
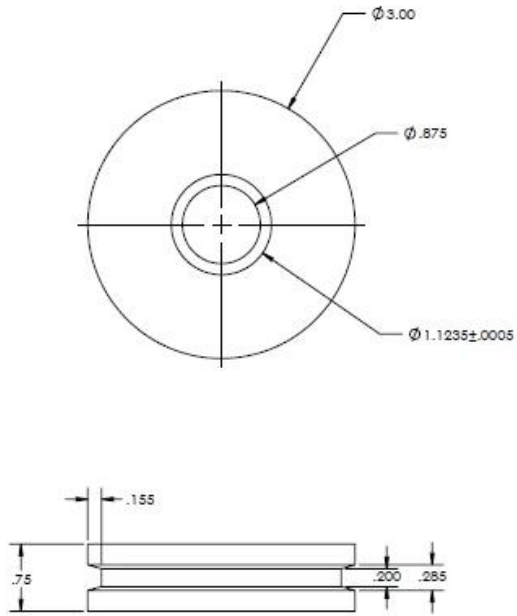






Product technical drawing:

REVISION			
REV.	DESCRIPTION	DATE	BY
2	INITIAL RELEASE	11/14/2018	201809-04



NOTES:
1. BREAK ALL SHARP EDGES

Product anti-rusted paper packing:





WELCOME FOR CUSTOMIZED OEM PRODUCTS.

Contact with us if any inquiry or needs.

Wendy: sales04@launch-china.cn

Phone/Wechat/WhatsApp: +86 159 8933 9827