

## Customizing stainless steel 316L round balustrade glass clamp for pole 50.8mm

Material: Stainless steel 316 / 316L / Duplex 2205

Surface Finish: Satin/Brushed, Mirror/Polished

Dimension: 55\*57.6\*29.4mm

For glass thickness: 10-12mm

For connecting to round pole diameter: 50mm or 50.8mm

Major Markets: North America, Europe & Australia

Sample: Available

Payment Term: T/T 30% deposit advanced, balanced before shipment

Application: Stair Railings, Handrails

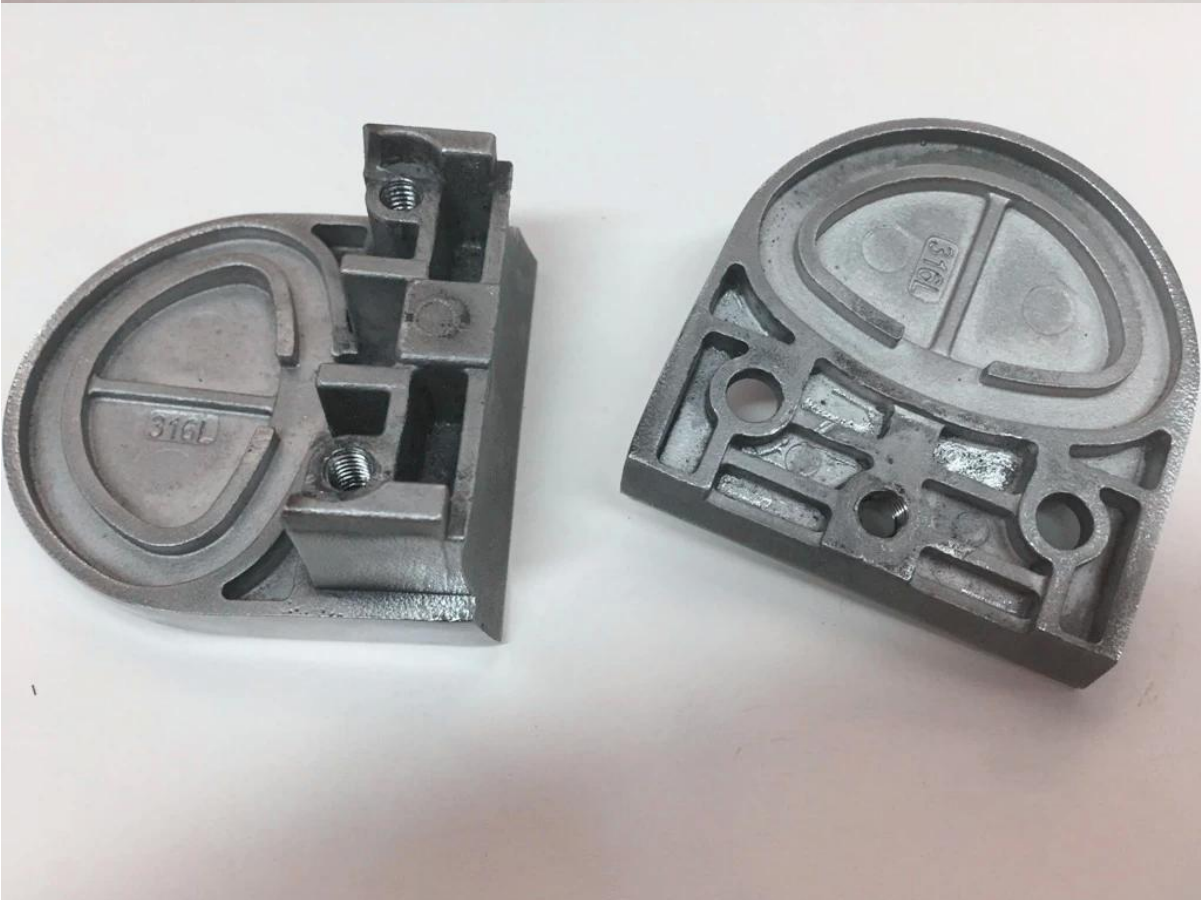
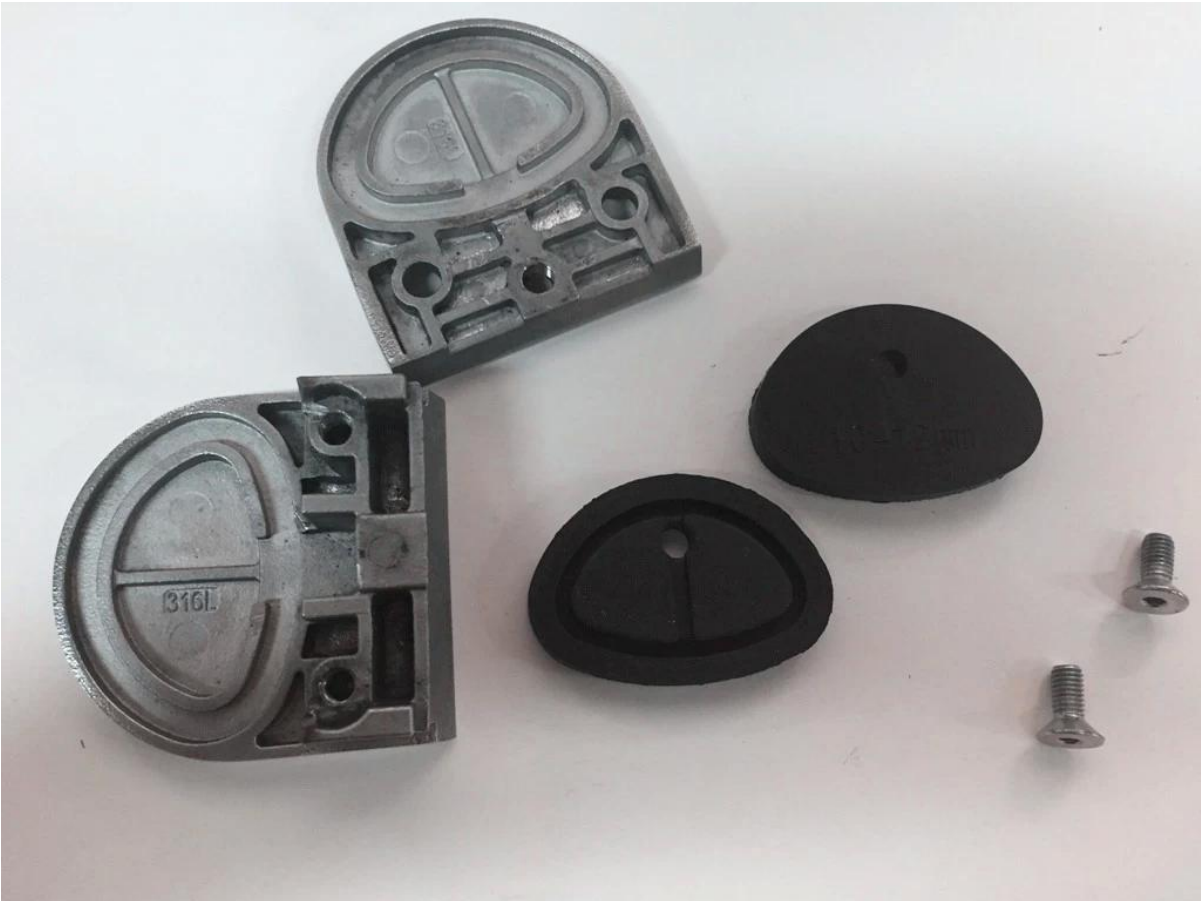
Special OEM/ODM: accepted

[Product show:](#)

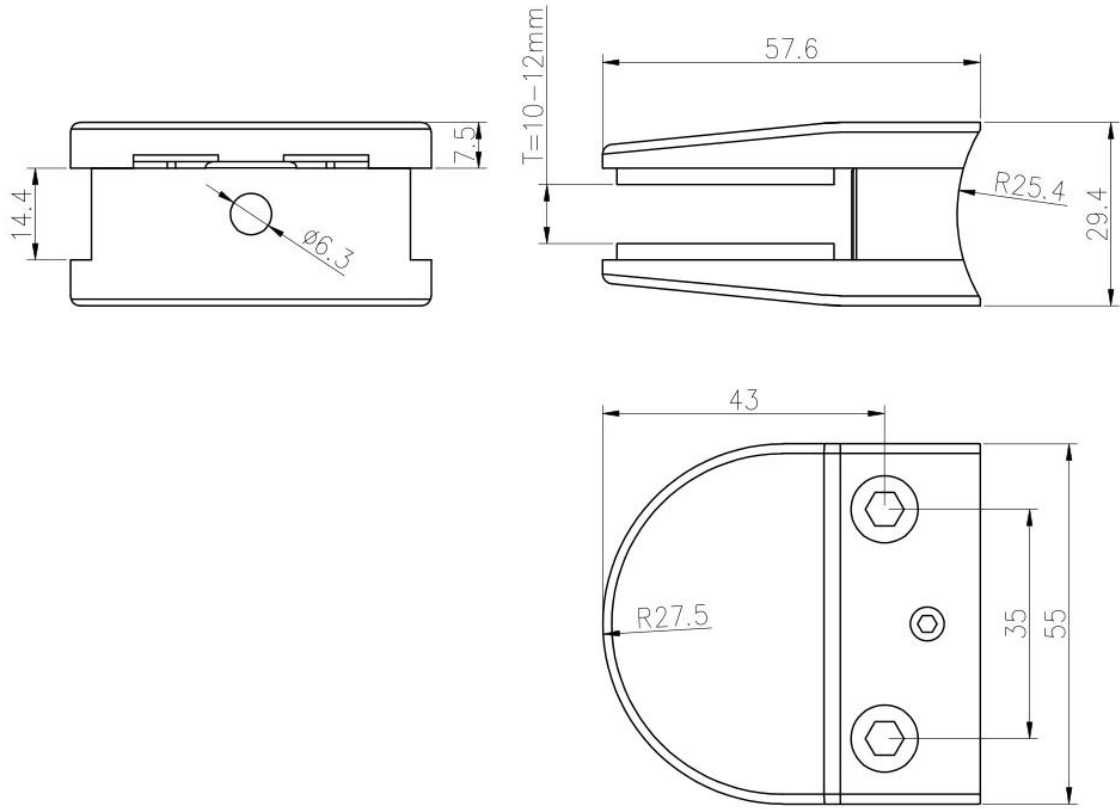








Product drawing:



Application:





Contact us for more details:

Email: [sales03@launch-china.cn](mailto:sales03@launch-china.cn)

Mobile: +8615907334556

**Eve Chow**

Sales representative

M : +86 159 0733 4556

T : +86 755 8603 7559

E : sales03@launch-china.cn

A : B5-5003, Yilida Bldg, Nanshan District, Shenzhen