

## D shape glass clamp for baluster pipe

**G104** Glass clamp for 10mm glass

Shape: D shape;

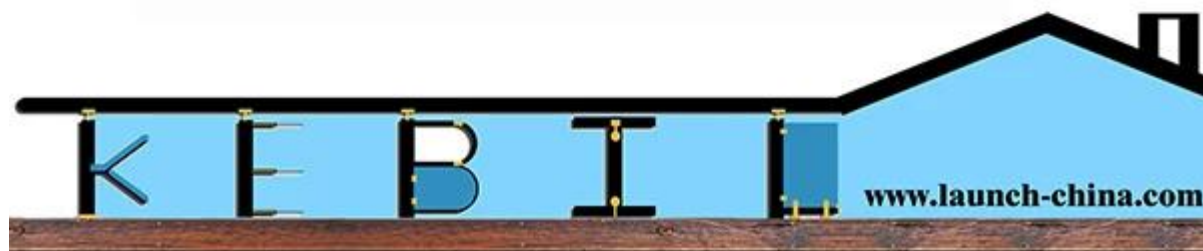
Flat back or curved back;

304/316 stainless steel

polished or brushed



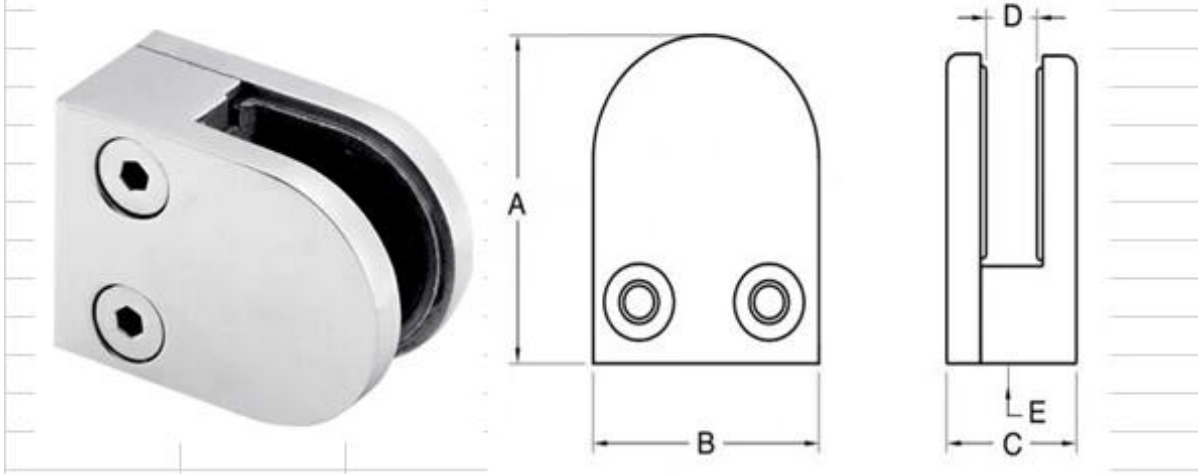
**G104**



Glass clamps dimension

comparison of G104 and G105;

	A	B	C	D
G104	50	40	26	12
G105	54	45	28	14



G104 and G105 are flat back for square post and flat wall;  
 while G104R and G105R for round post 42.4mm or 50.8mm;  
 Please note and make proper selections;

**D glass clamp used on round post;**



D glass clamps used on square post, mirror polished;



No problem used on wooden post;



D glass clamps are widely used both at home decoration and commercial project; It holds glass steady and safely, provides clear and modern view.

Please send your inquiry to: [sales04@launch-china.cn](mailto:sales04@launch-china.cn)