

Glass door hinges for frameless glass swimming pool  
fencing glass gate 8mm to 12mm thick heavy duty spring loaded type door hinge .

Features door hinges--

Type	Spring loaded type glass door hinge
Function	to work with glass latch on pool fencing gate , not hydraulic type door hinge
Model No.	G-G
Material	316 stainless steel
Finish	satin , mirror , powder coating , electro plating
For glass thickness	8mm 10mm 12mm
Max. door leaf weight	30kg
hinge cap	flat caps or coned caps
MOQ	1 pair
Other hardwares available for pool fence	glass door latch , base mount/core drill glass spigot

Three models of glass door hinges -

#G-G Glass to glass hinge photo , matt black powder coating-



Dimensions for glass to glass hinge -

#G-W Glass to wall hinge photo -

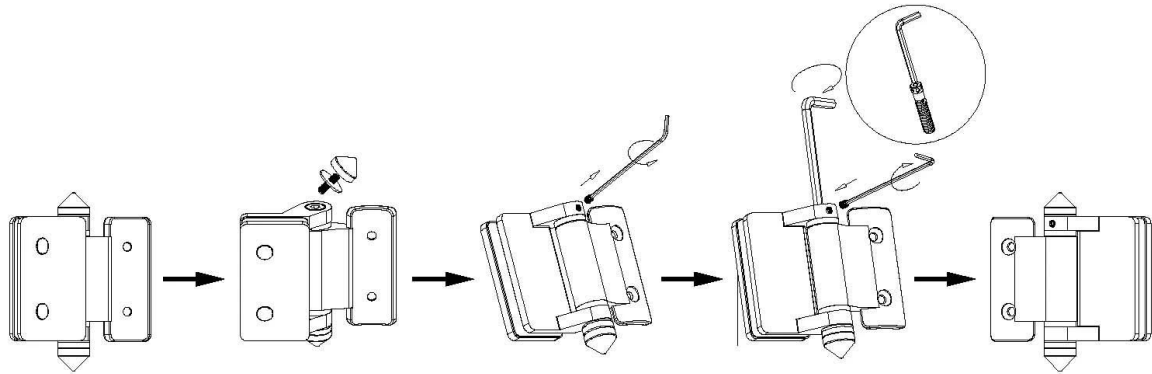


#G-R glass to round post hinge-



Installation instructions for glass to glass hinge-

### Instructions for adjusting tension on Glass to Round post hinge

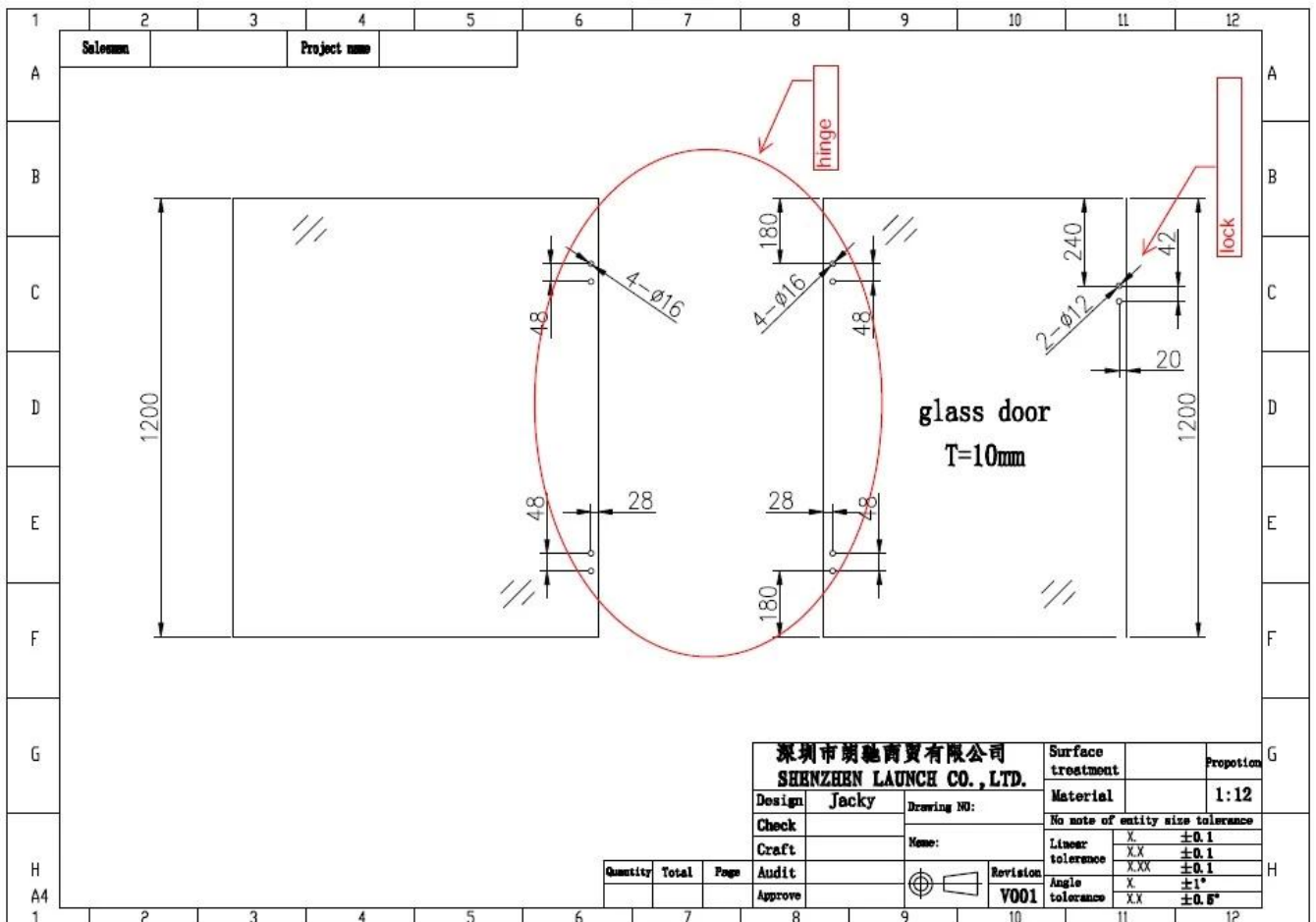


**STEP 1**  
Remove cone and grub screw by turning anticlockwise to reveal tension pin.

**STEP 2**  
Remove grub screw from side of hinge with Allen Key supplied.

**STEP 3**  
Turn the tension pin clockwise to the next hole in tension pin, then tighten the grub screw, repeat this process a Maximum of three times or 360°, Do not over tension.

### Glass hole drawing for glass door hinge & latch-



Production photos of glass door hinges-



Project photos of swimming pool fence-









