

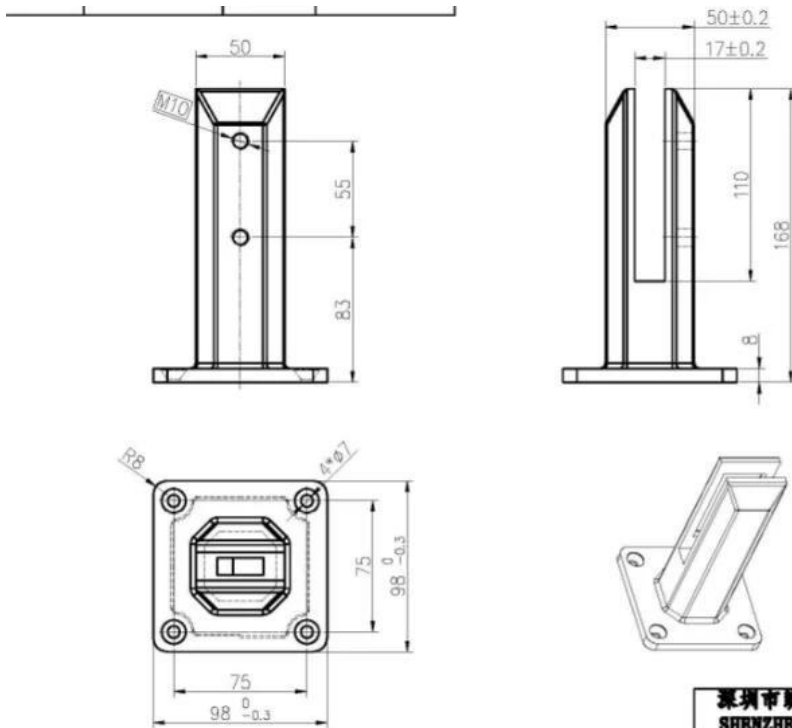
Duplex 2205 stainless steel outdoor stair railing glass spigot clamp for 10-12mm frameless glass railings .

# Features of glass spigot clamp

Model No.	SBM
Item	Glass spigot clamp
Material	Duplex 2205
Finish	satin, mirror , black
Height	168mm
spigot body size	50*50mm
Weight	1.43kg per pc
Packaging	1 pc into a box , 12 pcs into a carton
Glass thickness	10-14mm
MOQ	2pcs

# Drawings of glass spigot clamp

DRAWING FOR SBM-



<b>深圳市朗驰商贸有限公司</b> <b>SHENZHEN LAUNCH CO., LTD.</b>		表面处理		比例
设计	裴佳辉	材料	316	1:2.5
校对		图号	SBM	
工艺		名称	Spigot	
审核		版次	V001	
批准		未注实体尺寸公差 线性公差 X ±0.1 XX ±0.1 XXX ±0.1 角度公差 X ±1° XX ±0.5°		
数量	共页	第页		

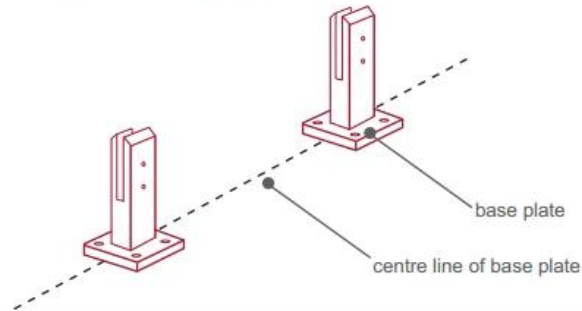
#Installation guide of glass spigot clamp



## fixing method: base plate spigots

Mark out the centre line of proposed glass fence with a chalk line. Determine clamp location based on a sheet size (recommendation on pages 1 & 2). Use base plate as a template to mark out the hole positions and drill holes to suit.

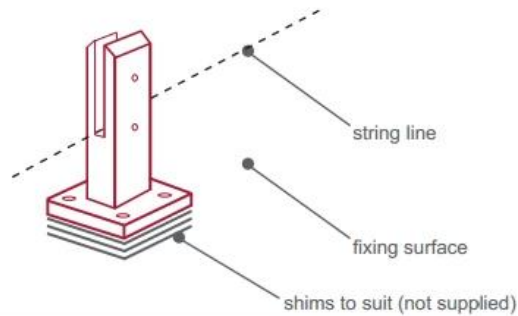
**Note:** Do not exceed 100mm gaps between glass panels. Optimum gap is 40mm to 60mm



Now the base plated spigots can be fitted to the floor and plumbed via shims (not supplied) under the base plates. Be sure to tighten firmly as the smallest of movement at the base plate will result in noticeable movement at the bottom of the glass fence.

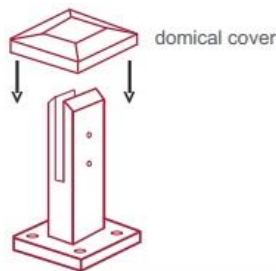
**Tip:** By setting the two outer spigots of your total span, a string line can be run in the 'throat' of the spigots, giving correct height for all spigots in between

**Note:** Do not exceed 100mm gap from the fixing surface to the bottom of the glass



When all spigots are installed, slip domical cover the top of the spigot to hide fixings. It will be necessary to turn the adjustment screws on the spigot face all the way in to allow cover to pass over

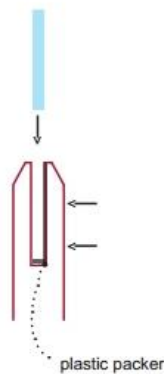
**Note:** Same installation method applies to round base plate spigot



The glass is then installed to the spigots. Place plastic packers between glass & spigot, at no stage should glass touch the metal

### How adjustability works:

1. Place glass in spigot
2. Fix/ tension glass both sides with allen key



#Production & packaging of glass spigot clamp







# Project galleries of glass spigot clamp











SHENZHEN LAUNCH CO., LTD