

Shenzhen Launch Cable Railing

Tensioners is made of CNC machining out of solid stainless steel materail , with best quality and also very easy to install .

**1). Features of Cable railing tensioners-**

Model No.	T803
For cable diameter	4-6mm
Material	304/316 stainless steel
Finish	Satin brushed ; mirror polished
Apply	Cable railings for stair , balcony , deck

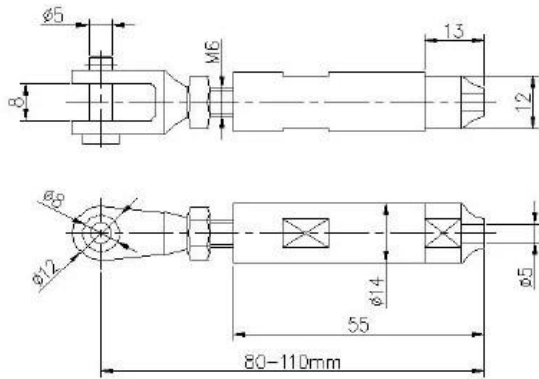
**2). Models of Cable railing tensioners-**

T803 , swageless type , for 4mm 5mm 6mm-





## Model: T803



## SWAGELESS TYPE CABLE TENSIONER



## Model T804

for cable diameter: 4mm 5mm 6mm 7mm 8mm etc.



T804 is swage type tensioner which requires below hydraulic crimper tools-



Model No.: T807A  
for cable diameter: 3mm



Installation guide -



**3).Project photos of cable Railings with Easy to install swageless Cable Railing Tensioner -**

