

ABOUT US

Shenzhen Launch Co., Ltd was established in 2004, located at Nanshan District, Shenzhen, and one hour by car from Hongkong International Airport. Our main products are high-grade building materials including stainless steel balustrade post, staircase handrail, balcony guardrail, swimming pool fence and other high-grade building materials. All the products are designed strictly according to the high-end market requirements. We have our own factory in Tangxia Town, Dongguan, with more than 50 sets of various precision equipments, such as CNC lathe, milling machine, punching machine, pipe cutter, argon welder, drilling machine, polisher, etc. which can provide customers with complete product processing services.



15 YEARS EXPERIENCE

We have been manufacturing railing hardwares since 2004.



ONE STOP SERVICE

We provide integrated railing solutions.
We manufacture.
We deliver.



PROFESSIONAL R&D TEAM

We have engineering experts for developing new products.



TOP QUALITY & GOOD PRICE

We are strict on quality control as well as cost evaluation.

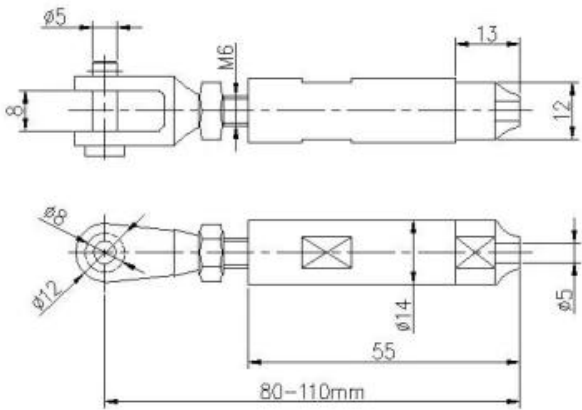
Excellent Stair Railing Wire Rope Fittings Stainless Cable Railing Deck Railing



Technical specifications:

Product Name	Excellent Stair Railing Wire Rope Fittings Stainless Cable Railing Deck Railing
Material	Stainless steel 304 or 316
Surface Treatment	Mirror polished or satin brushed
For cable diameter	3mm, 4mm, 5mm or 6mm
Dimension of round post	Diameter 50.8mm, tube wall thickness 1.5mm
Dimension of square post	50*50(mm), tube wall thickness 1.5mm
Handrail	Round diameter 50.8mm, square 50*25(mm)
Installation	Self tapping / Explosion bolts / Screws
Mounting	Floor mounted / side mounted
Application	Balcony, deck, porch, terrace, stair, mall handrail / railings
Accessories	Full set accessories available

Model T803, Swageless design stainless steel cable tensioner for diameter 4mm and 5mm cable:



SWAGELESS TYPE CABLE TENSIONER



Model T804, Swage design stainless steel cable tensioner for diameter 5mm and 6mm cable:



Model **T801**, stainless steel cable tensioner for diameter **3mm** and **4mm** cable:

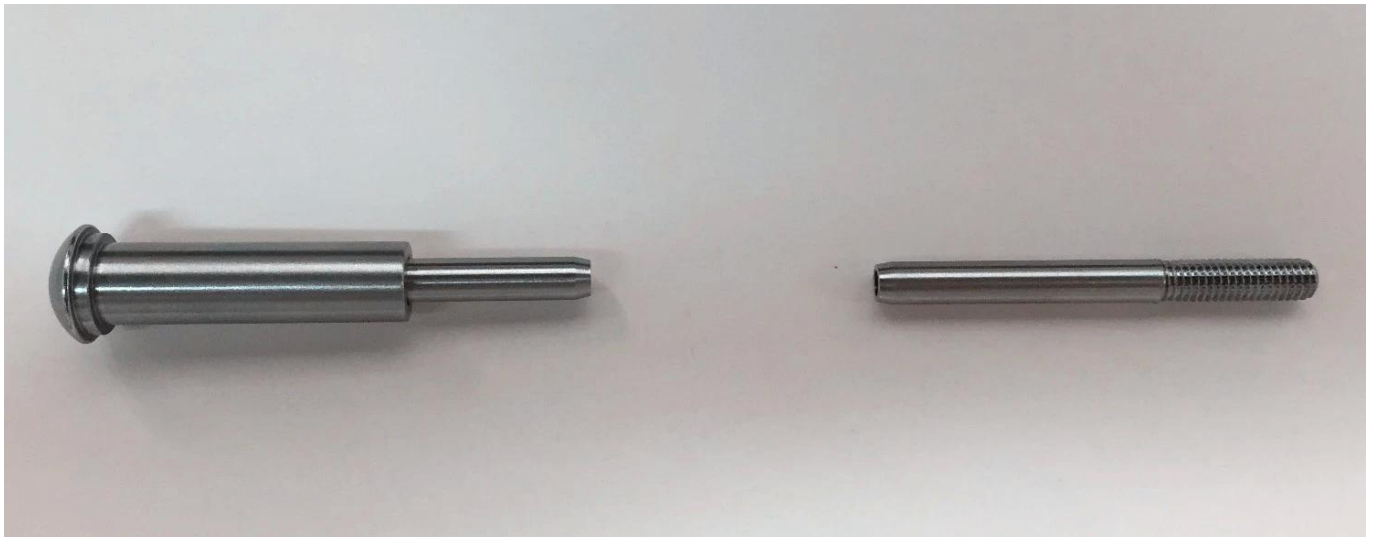
KEBIL 科比奥®



Model **T802**, stainless steel cable tensioner for diameter **5mm** and **6mm** cable:



Model **T807A**, stainless steel cable tensioner for diameter **3mm** cable:



Project Photos:









More information:

Type 316 stainless steel has the best corrosion resistance among standard stainless steels. It is resistant to corrosion and corrosion of most chemicals and is particularly resistant to salt water corrosion.

These can be used for a variety of applications. Sailboats and yachts, cable railings and shade sails.

- 1) Material: 316 stainless steel or 304 stainless steel**
- 2) Surface finish: mirror polished or satin finish**
- 3) Standard: metric and UNF**
- 4) Customer design: our team of experienced engineers can develop products and manufacture according to samples, drawings or just ideas**
- 5) Delivery: by sea, by air or by express service**
- 6) Price term: FOB or CIF**
- 7) Dimensions: from 3mm to 6mm or according to your requests**
- 8) Type: countersunk flared head, flared flat head and rounded head**
- 9) Packing: clean poly bags and cartons and pallets or as per requests**
- 10) For further cable railing fitting designs, send an e-mail for the complete catalog**

Contact us for more information:

HP/Whatsapp/WeChat: +8613686807796

E-mail: sales03@launch-china.cn