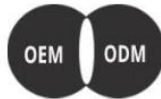


WHY CHOOSE US



15 YEARS EXPERIENCE

We have been manufacturing railing hardware since 2004.



ONE STOP SERVICE

We provide integrated railing solutions. We manufacture. We deliver.



PROFESSIONAL R&D TEAM

We have engineering experts for developing new products.



TOP QUALITY & GOOD PRICE

We are strict on quality control as well as cost evaluation.



ABOUT US

Shenzhen Launch Co., Ltd was established in 2004, located at Nanshan District, Shenzhen, and one hour by car from Hongkong International Airport. Our main products are high-grade building materials including stainless steel balustrade post, staircase handrail, balcony guardrail, swimming pool fence and other high-grade building materials. All the products are designed strictly according to the high-end market requirements. We have our own factory in Tangxia Town, Dongguan, with more than 50 sets of various precision equipments, such as CNC lathe, milling machine, punching machine, pipe cutter, argon welder, drilling machine, polisher, etc. which can provide customers with complete product processing services.

Frameless Glass Railing 90 Degree Corner Glass Clamp Glass Clip Holder

Main Features

- Made of high grade 316 Stainless Steel
- Finish: satin brushed, mirror polished, black powder coating or black electroplated
- Work with 10-12mm thickness glass panels
- Friction type, no holes needed in glass

KEBIL 科比奥®

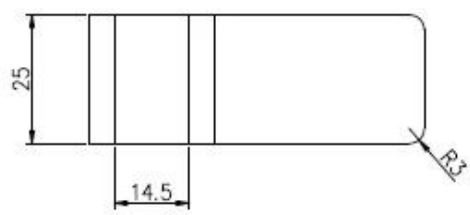
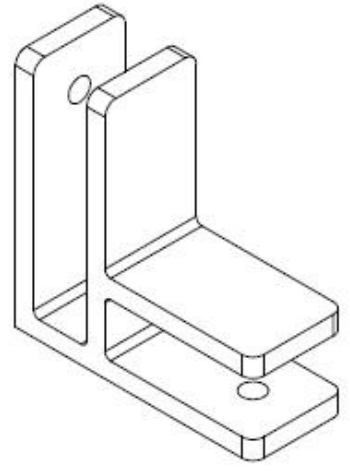
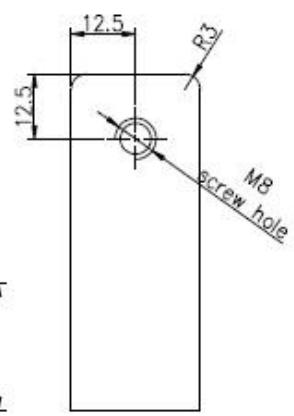
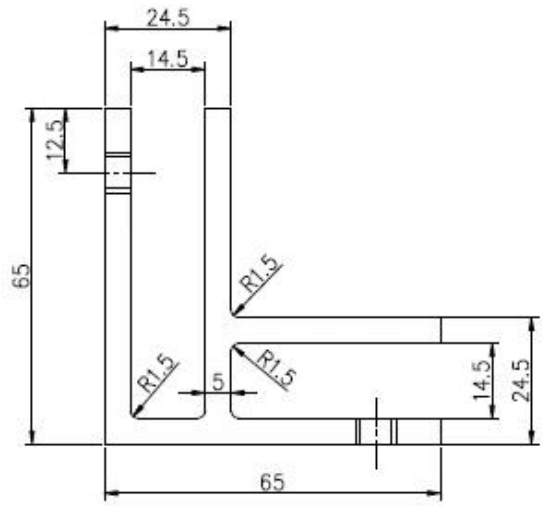
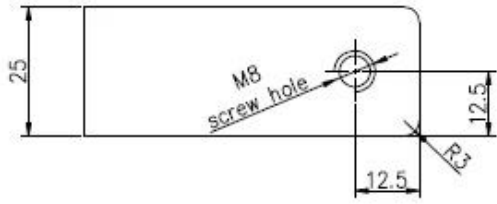




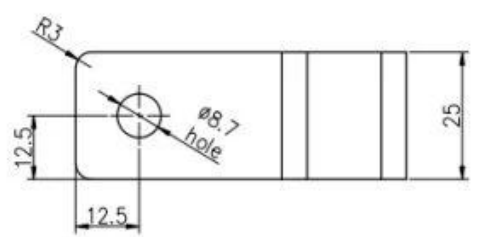
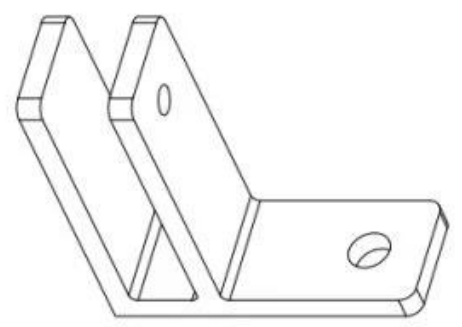
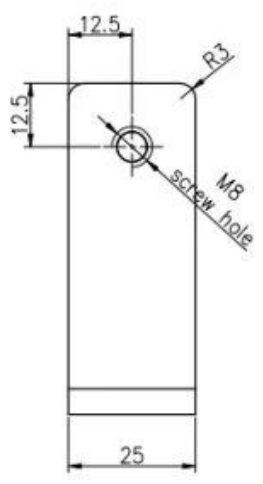
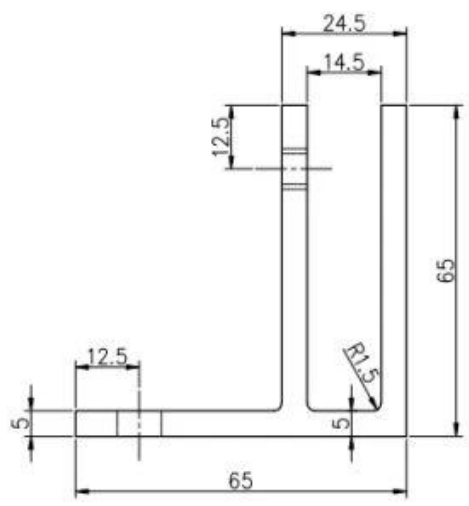




Technical Drawing



Glass TO GLASS HOLDER 90°



Glass TO WALL HOLDER 90°

Project photos







Welcome to contact us for more information:

Wendy

Email: sales04@launch-china.cn

HP/WhatsApp: +86159 8933 9827