

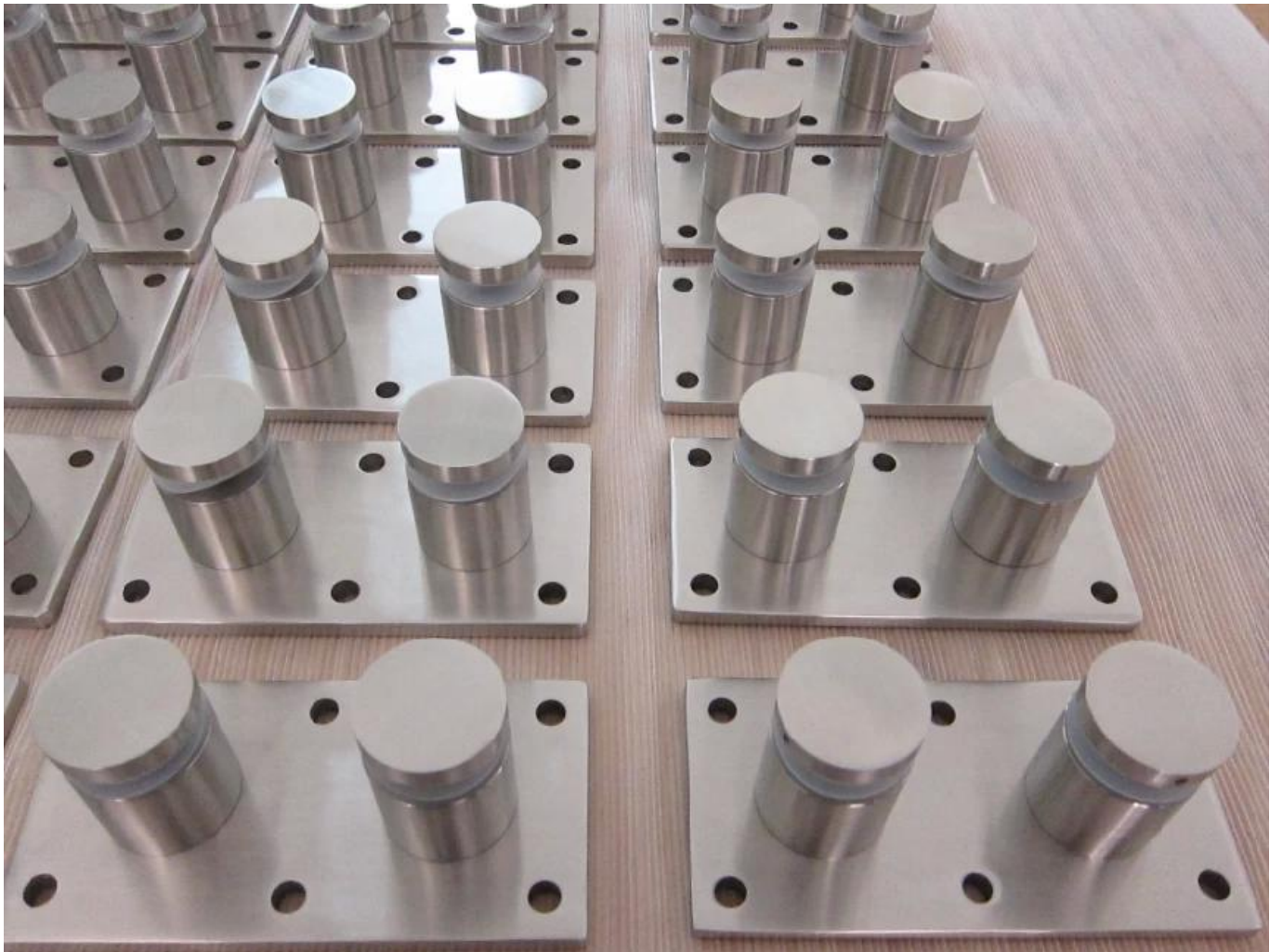
Frameless Stainless Steel Balcony Railing Glass Standoff Pins Railing System

Product Name	Frameless Stainless Steel Balcony Railing Glass Standoff Pins Railing System
Model No.	SF-50T
Material	Stainless Steel 304/316
Finish	Mirror polished, or satin prushed
Glass standoff size	50x12mm cap,50x44mm body,200*100*10 base
For glass thickness	12-19mm, or as per customers' requirements
Drilled Glass Hole	Diameter 14mm required in glass
Net weight	3236g/piece
Mounting	wooden, steel or concrete substrate
MOQ	One piece
Sample	Available
OEM & ODM service	Acceptable
Application	Indoor and outdoor staircases design,balcony railing,deck frameless glass railing, Juliet balcony design, floating staircase
Factory Inspection	Available
Standoff packing	One piece into one bubble bag, then into one white box, 12 pieces into one cardboard carton or packing as per customers' requirements

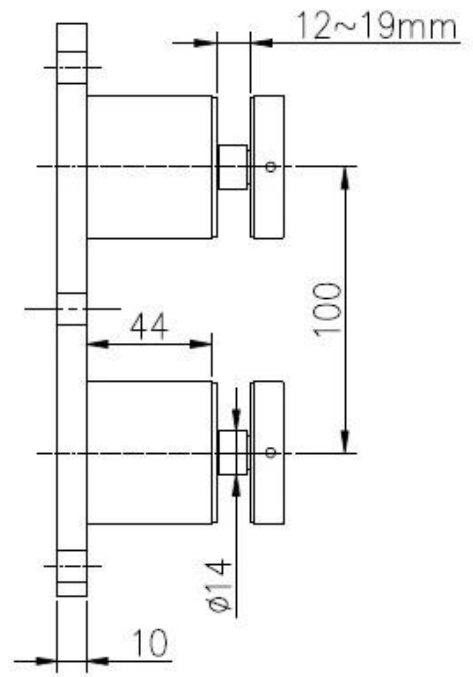
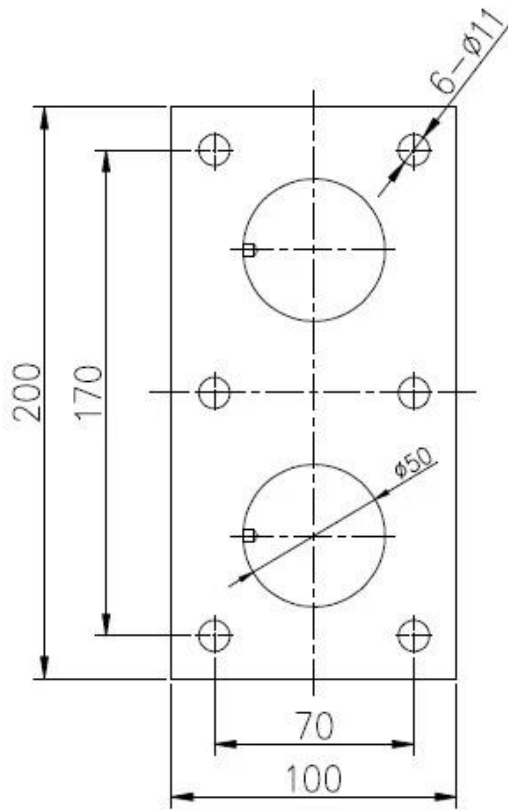
Product Show:

KEBIL 科比奥®

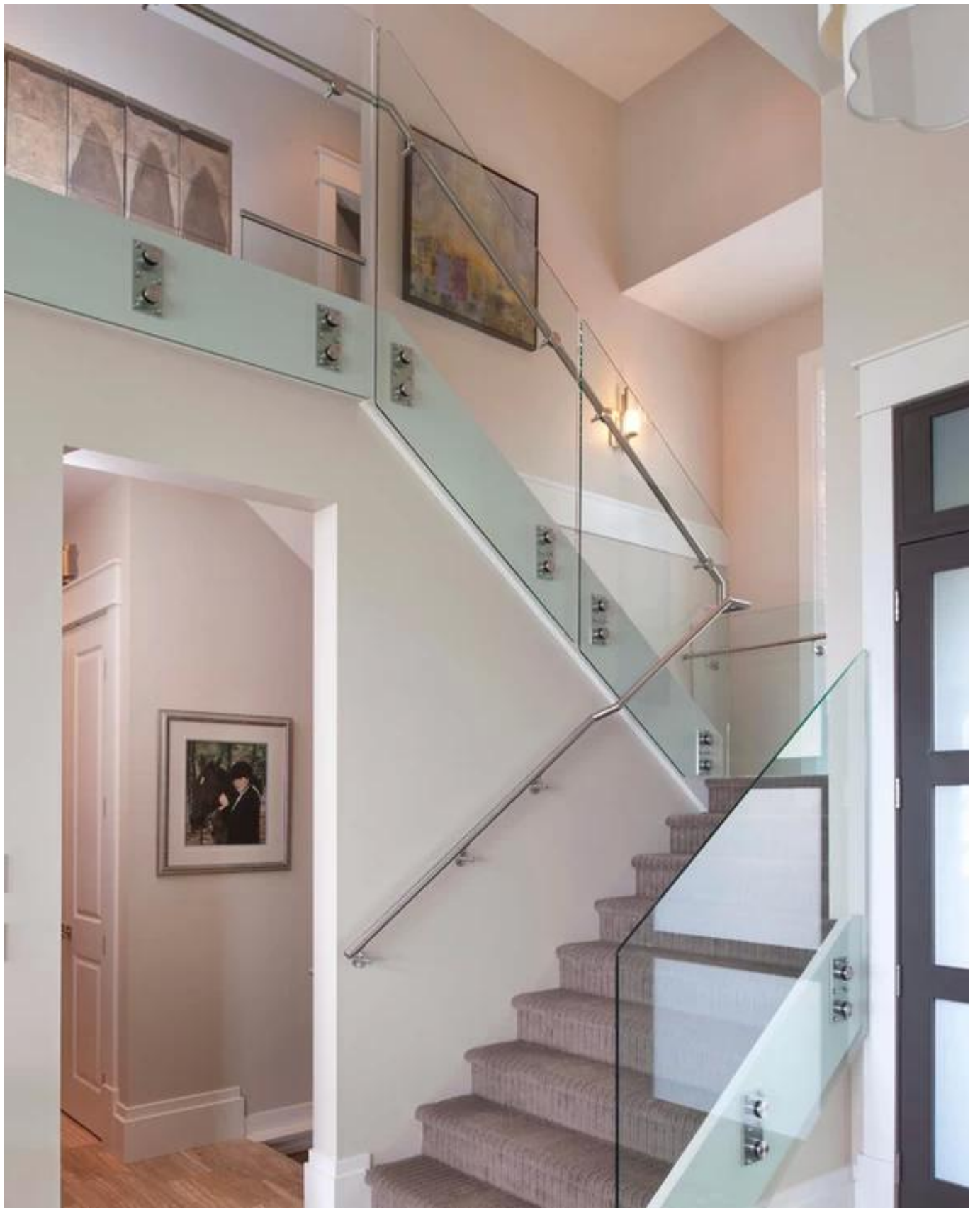




Technical Drawing:



Project Photos:





OTHER TYPES GLASS RAILING STANDOFFS AVAILABLE:



SF-50T



SF-50A



SF-50



SF-38



SF-38Z



SF-30

Contact us now for more information!

Email: sales04@launch-china.cn

Mob: +86 159 8933 9827