

Base Aluminum U channel with Round stainless steel top rail







Frameless Balustrade Rail Aluminium U Channel Glass Railing Hardware



1m aluminum channel contains the following accessories



Waterproof tape
2 meters



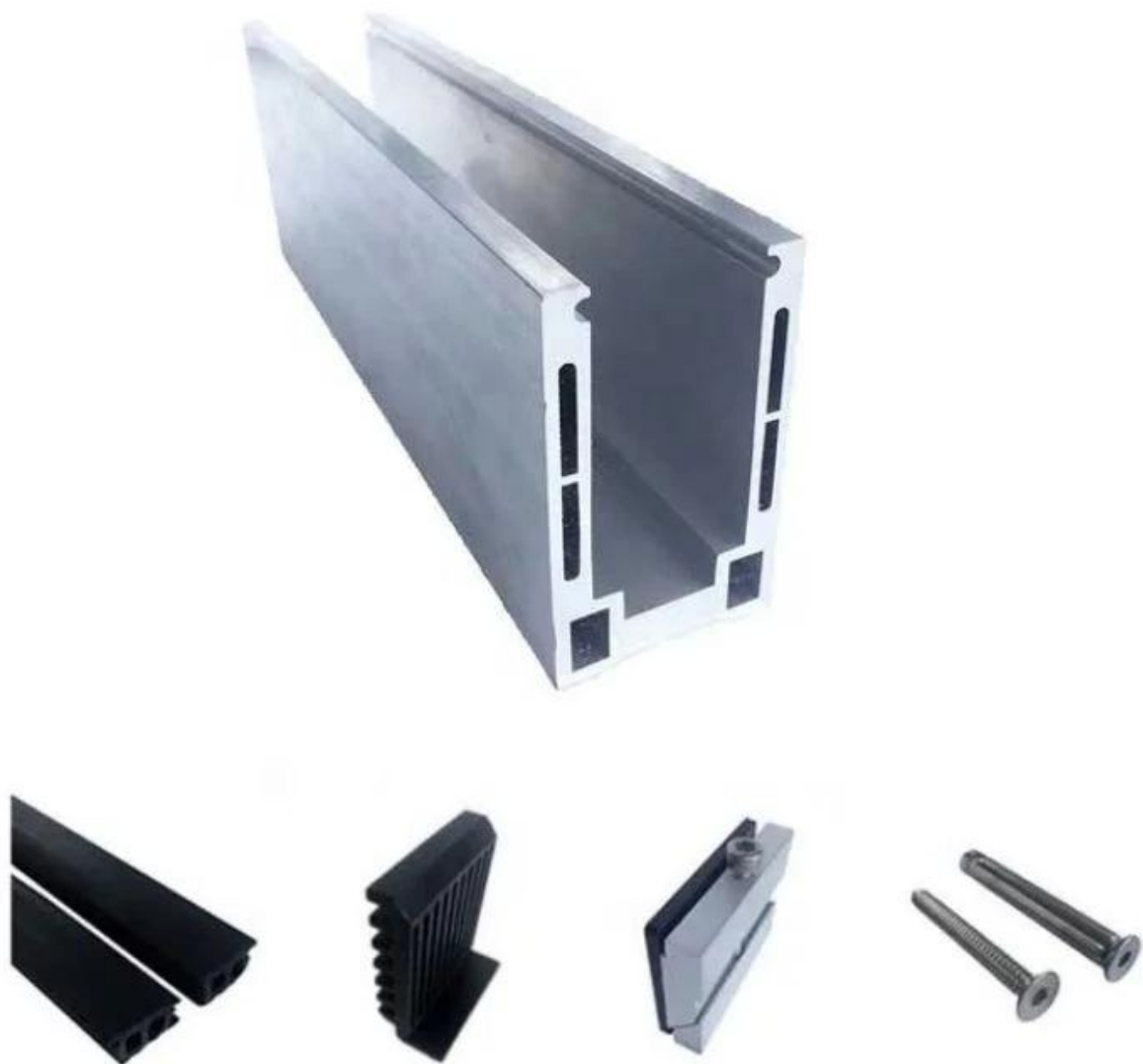
Aluminum and plastic fittings
3 sets



Expansion bolts
3 pieces

Aluminum Glass Railing specifications:

RAILING PART - BASEMENT	MATERIAL	DIMENSION(MM)	SURFACE FINISHED	SUITED GLASS THICKNESS (MM)
U Channel / U Profile	Aluminum Alloy	102*62	Anodizing / Spray Paint	12-13.52
		102*67		8+1.52+8
		102*70.5		10+1.52+10
Inside System & Bolt	3 or 4 meters per length			
Cladding	SUS 304 / SUS 316	102	Brushed / Mirror	/
Rubber	Plastic	Various	Black	All



Aluminum Base U Profile for Glass Railing Balustrade in Black Color:



Available Models:

LCH-A01/A02: without/with cladding for use with 20mm to 21.52mm glass

LCH-A01



20 mm to 21.52 mm tempered glass

1 m aluminium groove contains the following accessories (excluding glass)



LCH-A02



20 mm to 21.52 mm tempered glass

1 m aluminium groove contains the following accessories (excluding glass)



LCH-B01/B02: without/with cladding for use with 16mm to 17.52mm glass

LCH-B01



16 mm to 17.52 mm tempered glass

1 m aluminium groove contains the following accessories (excluding glass)



LCH-B02



16 mm to 17.52 mm tempered glass

1 m aluminium groove contains the following accessories (excluding glass)



LCH-C01/C02: without/with cladding for use with 12mm to 13.14mm glass

LCH-C01



12 mm to 13.14 mm tempered glass

1 m aluminium groove contains the following accessories (excluding glass)



LCH-C02



12 mm to 13.14 mm tempered glass

1 m aluminium groove contains the following accessories (excluding glass)



LCH-D01/D02: without/with cladding for use with 12mm to 13.14mm glasses

LCH-D01



12 mm to 13.14 mm tempered glass

1 m aluminium groove contains the following accessories (excluding glass)



Aluminum trough 1 m



Waterproof tape 2 meters



Aluminum plastic fittings 3 sets



Expansion screws 3 pieces

LCH-D02



12 mm to 13.14 mm tempered glass

1 m aluminium groove contains the following accessories (excluding glass)



Aluminum trough 1 m



Decorative cover 2 meters



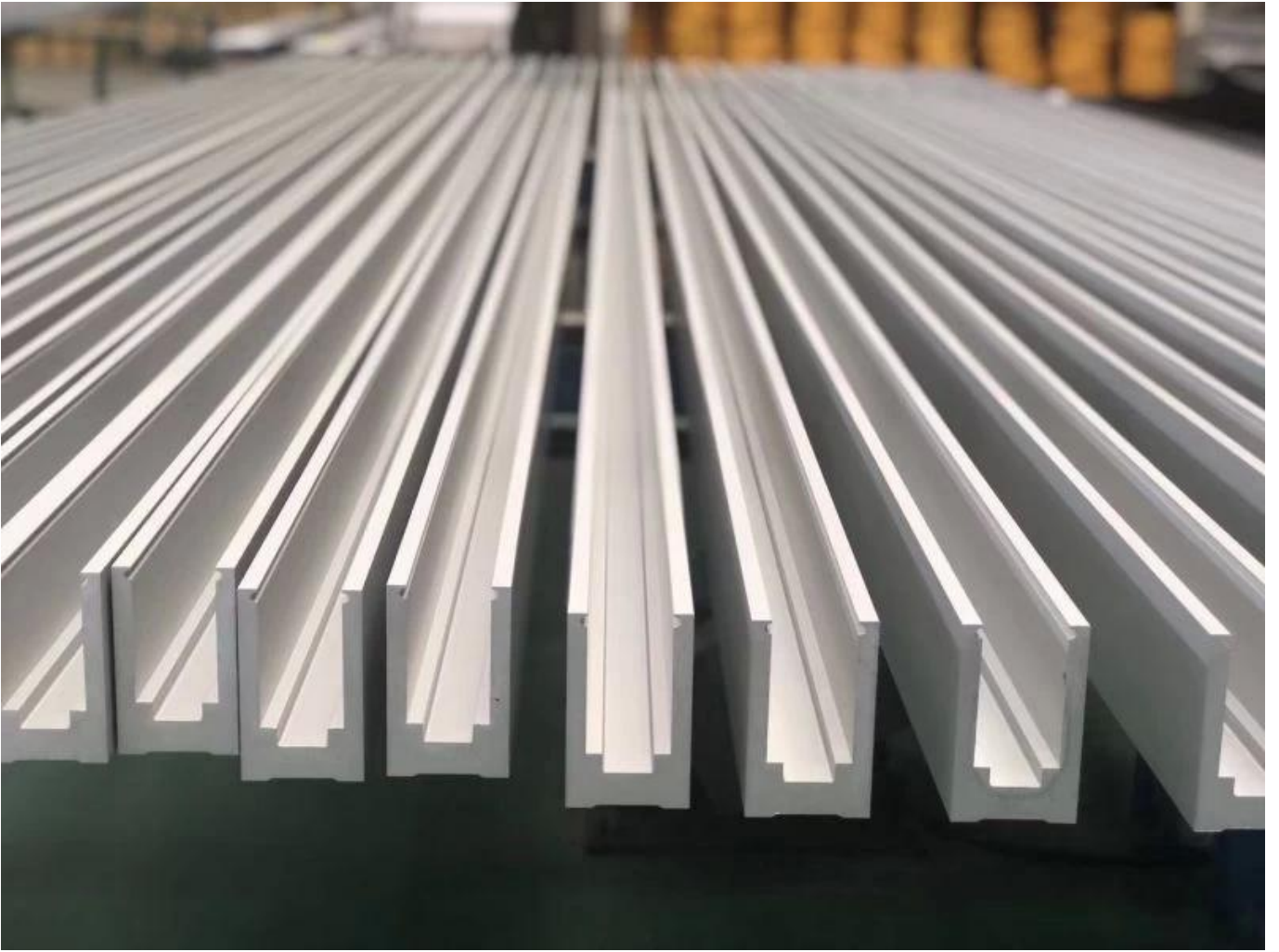
Aluminum plastic fittings 3 sets



Expansion screws 3 pieces

Mass production and packing





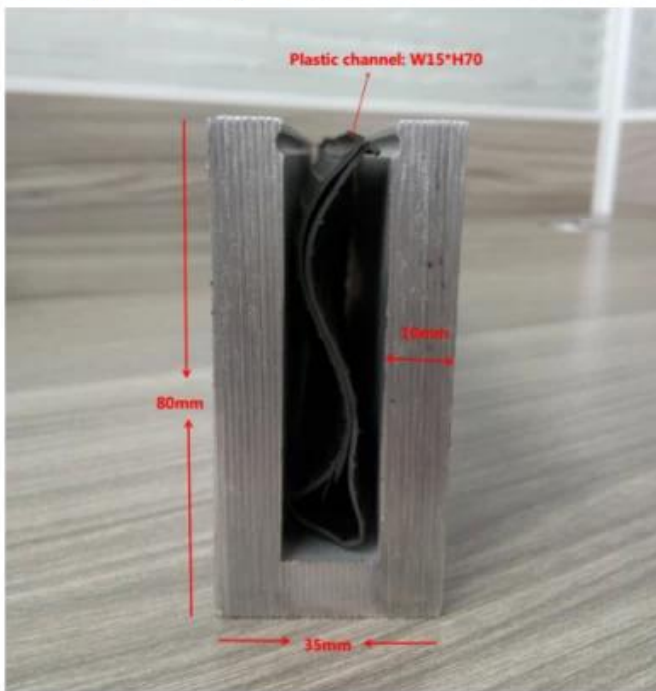






MORE TYPES OF ALUMINIUM U CHANNEL FOR GLASS RAILING:

Small profile: for glass thickness 10-12.76mm

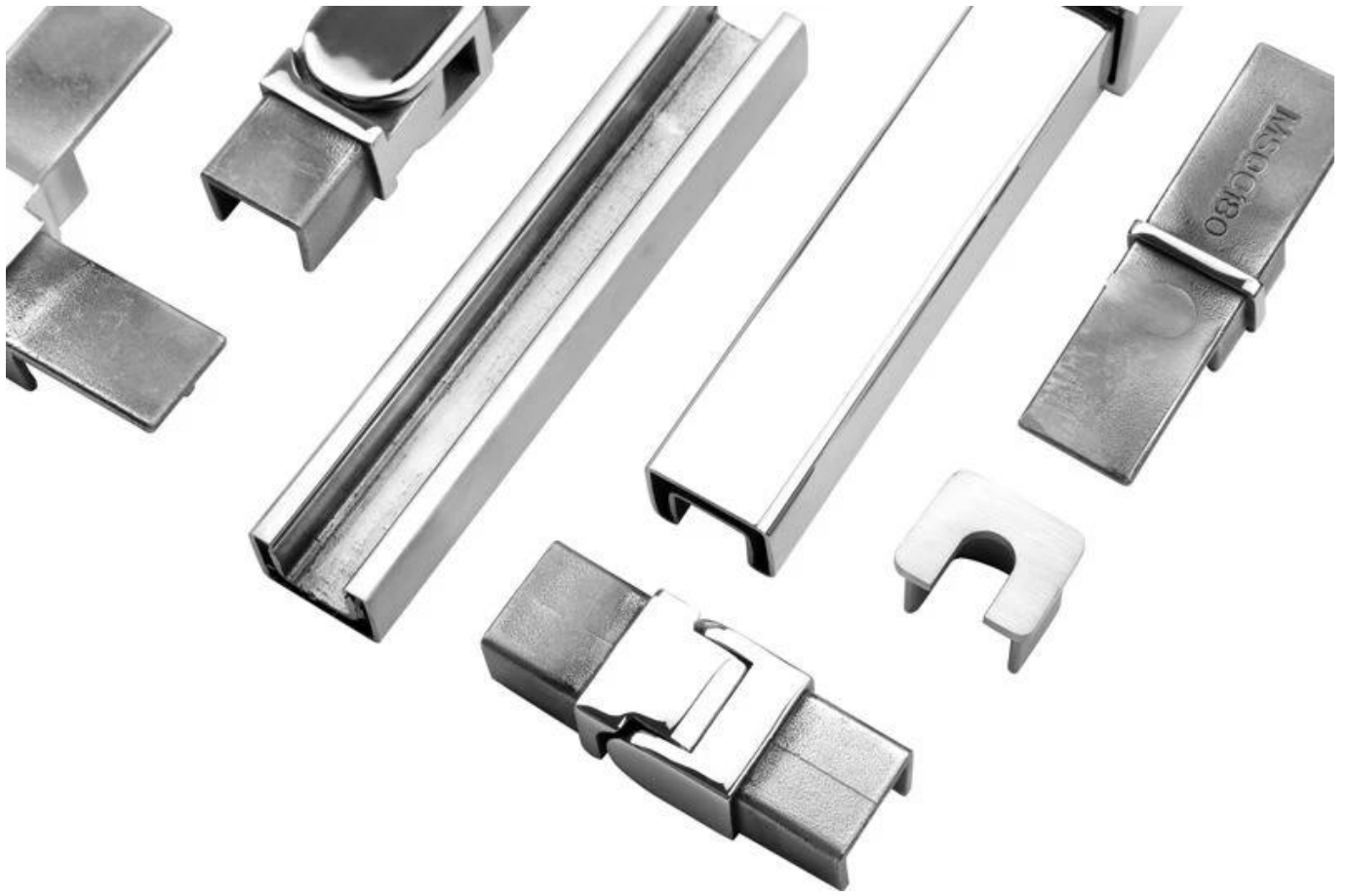


Big profile: for glass thickness 20-30mm



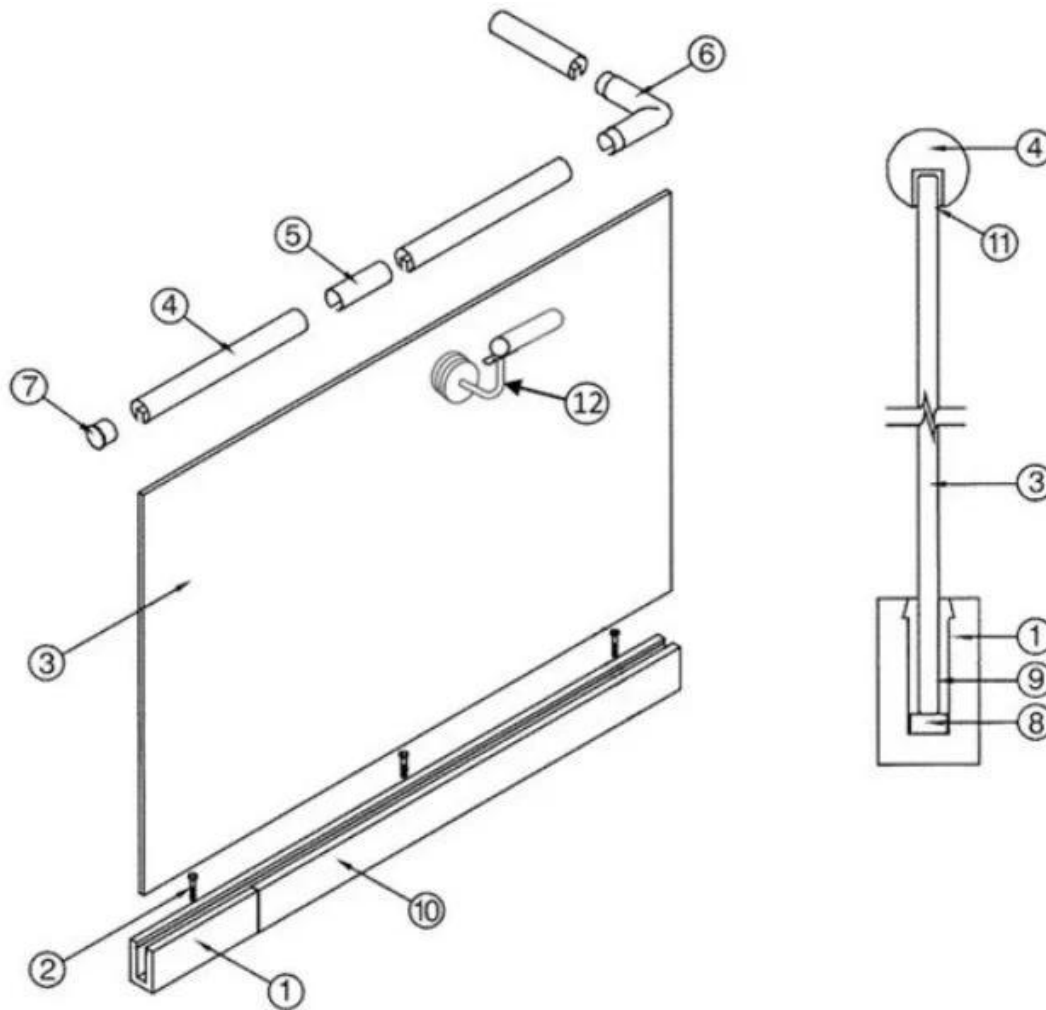
SLOT TUBE HANDRAIL:





KEBIL 科比奥®





- | | |
|--|---|
| <ul style="list-style-type: none"> 1. Aluminum Railing Base 2. Stainless Cap Screw 3. ½" Tempered Float Glass 4. Top Rail 5. Splice 6. Corner fitting
(Horizontal Shown Vertical
Also Available) | <ul style="list-style-type: none"> 7. End Cap 8. Setting Block 9. Expansive Cement 10. Cladding 11. Protective Insert 12. Handrail Brackets and Fittings
Also Available |
|--|---|

Contact us now for more information:

Frank Fang

Email: sales02@launch-china.cn

Mobile / Whatsapp: +8615906261741