

## **Glass Fencing Pool Gate Fittings Self-closing Heavy Duty Glass to Glass Hinge**

### **Description of stainless steel glass hinge-**

- Glass to glass door heavy duty hinge, spring loaded type
- Model No.:G-G
- Material: stainless steel 304/316
- Finish: mirror/satin/black
- For glass thickness: 8-12.76mm
- Maximum door leaf weight : 30 kg /pair
- Maximum door leaf width : 900mm
- Spring can be adjusted for closing speed control
- Manufacture method:casting
- Required drill glass hole size: diameter 16mm
- Packaging: one pc into one plastic bag, then into one box. 12 pcs into one carton.
- For both commercial and modern house home design
- For both wholesale and retail (We are factory)

### **Photos of glass hinge , G-G**

with coned cap on the ends in satin finish



with coned cap on the ends in mirror finish



with flat cap on the ends in satin finish



with flat cap on the ends in mirror finish



with flat cap on the ends in black powder coating



**Other models for glass hinge**

Glass to round post hinge

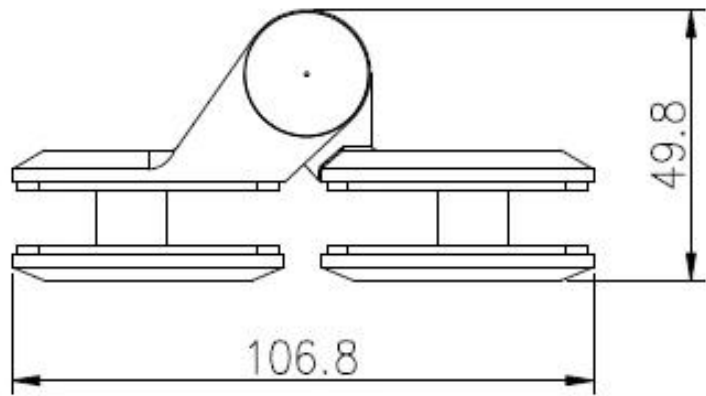
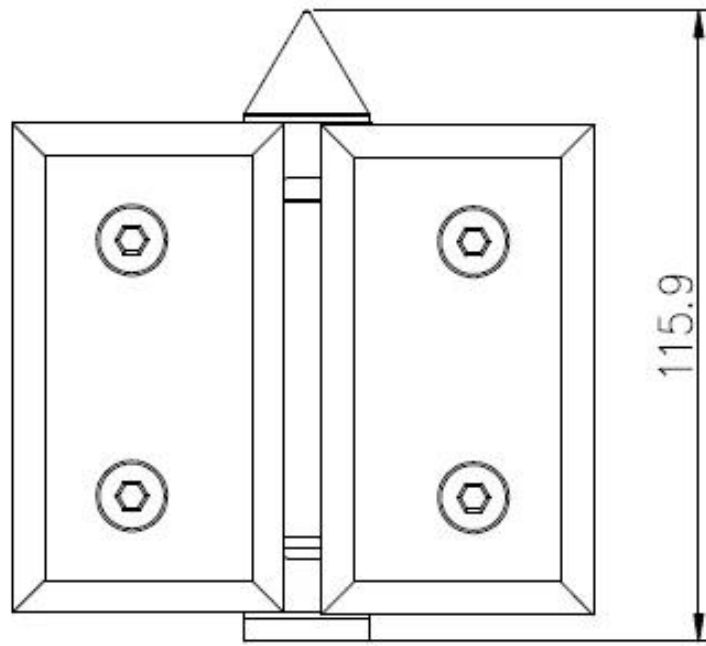


Glass to square post/wall hinge

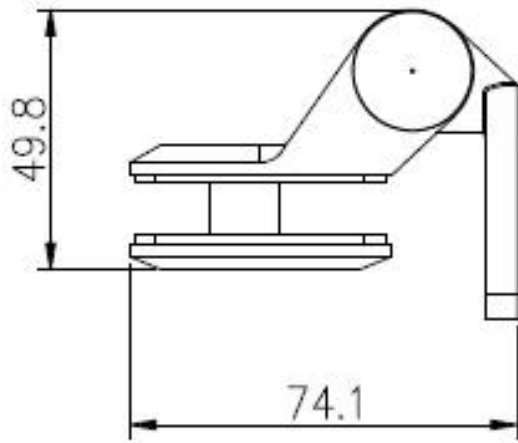
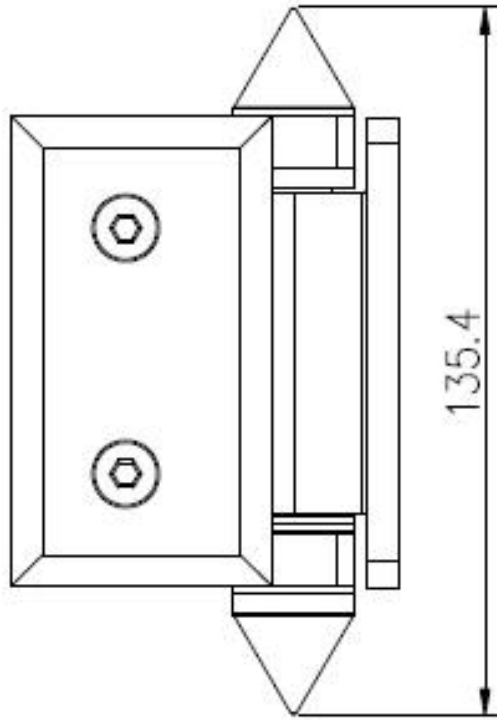


**Stainless steel glass hinge drawing-**  
G-G glass to glass

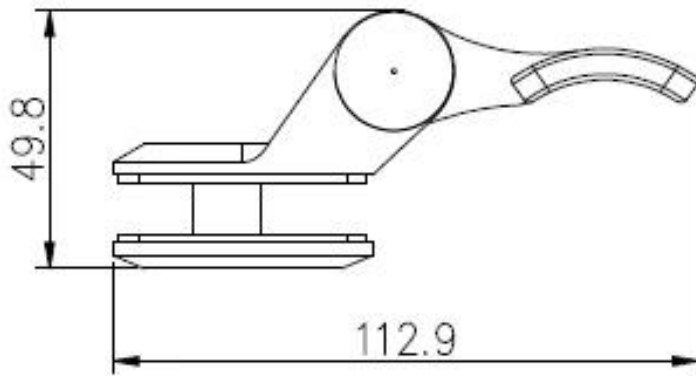
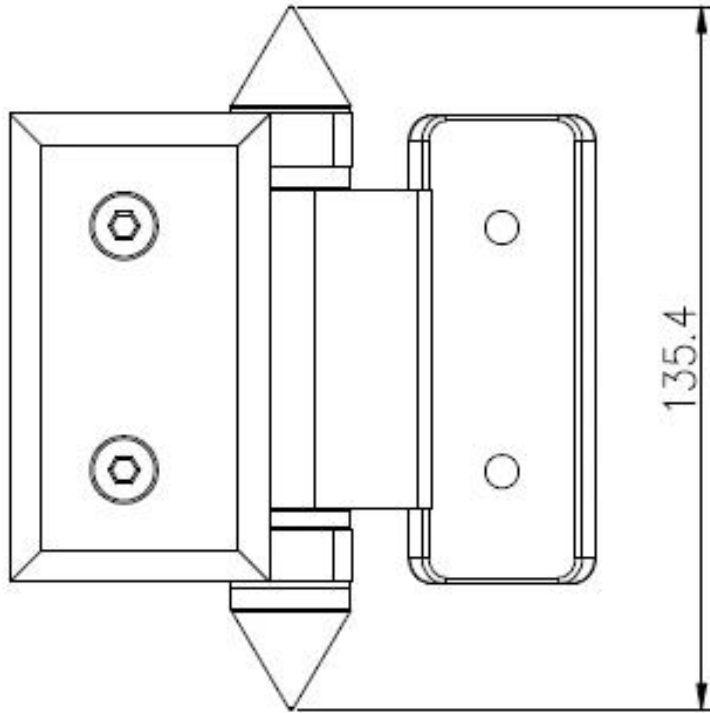




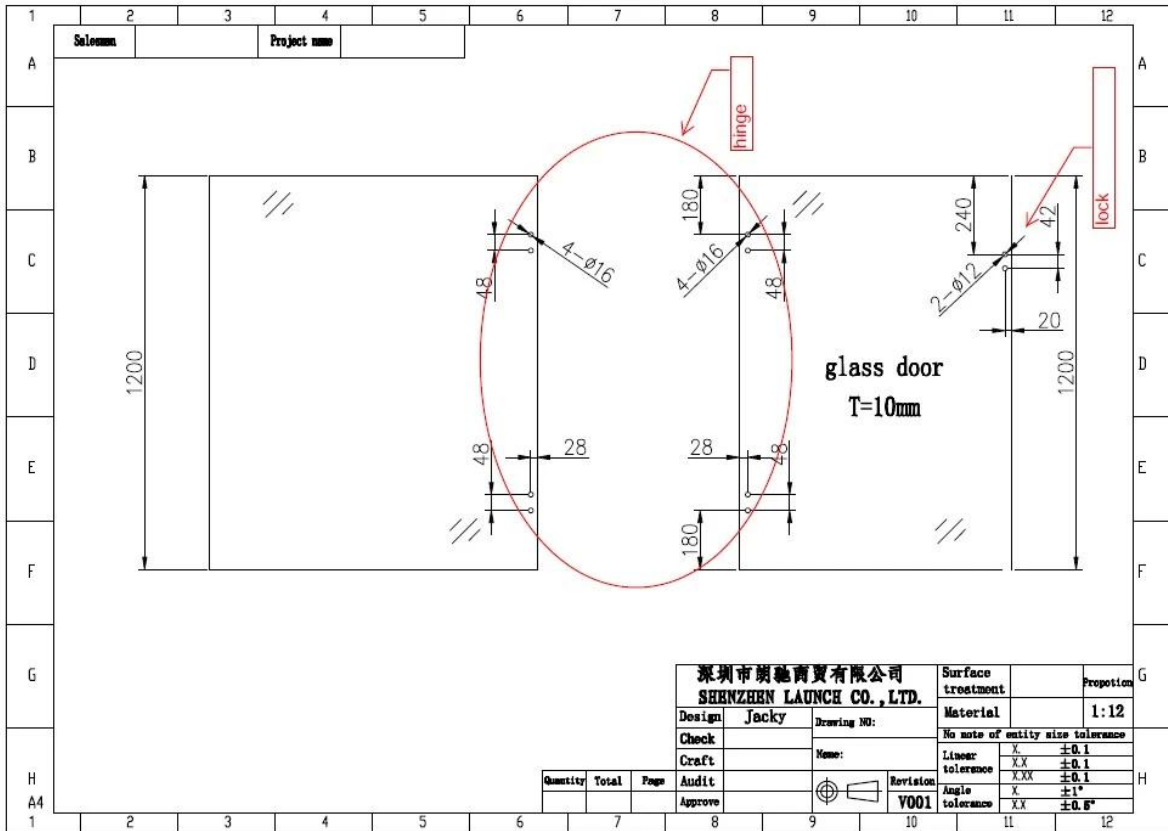
G-W glass to square post/wall hinge



G-R glass to round post hinge



**Glass holes drawings required for glass hinge and glass latch-**



project photos of glass pool fence and glass balcony railing -



