

Custom design Glass Mounted Stair Handrail Bracket for 20mm glass handrail systems.

Specifications for Glass Mounted Stair Handrail Brackets -

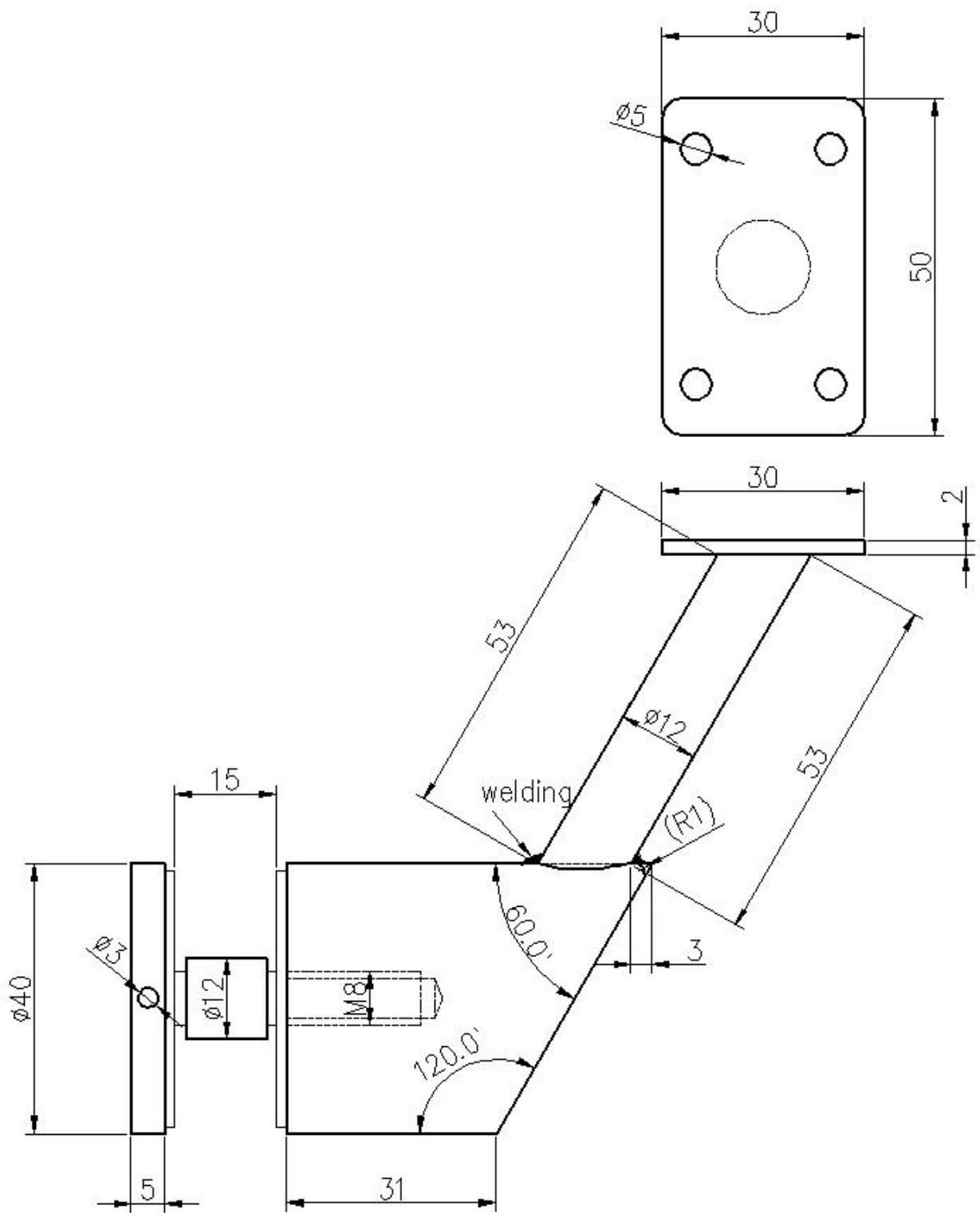
Model No.	P710
Technique	Made by precision casting
Dimensions	As per drawing
Glass thickness	15- 20mm
Glass holes	Required
MOQ	100 pcs

Photos of Glass Mount Handrail Bracket Holders-

1).For round/square handrail tube-



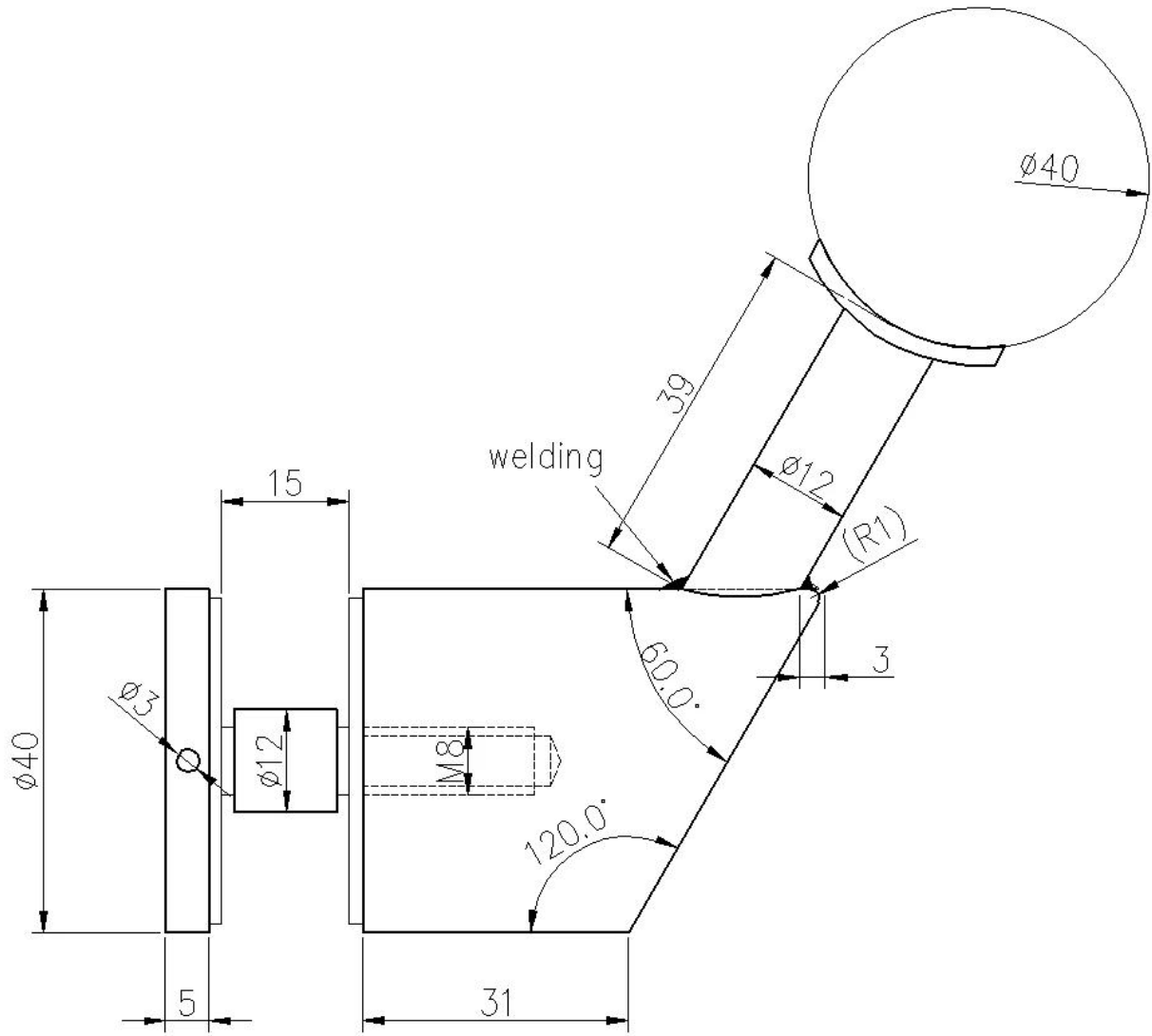




2). For square handrail tube -`







Production photos of custom design Matte Black Glass Mount Handrail Bracket Holders -



