

## Glass door stopper for swimming pool tempered glass fence

Glass door stopper

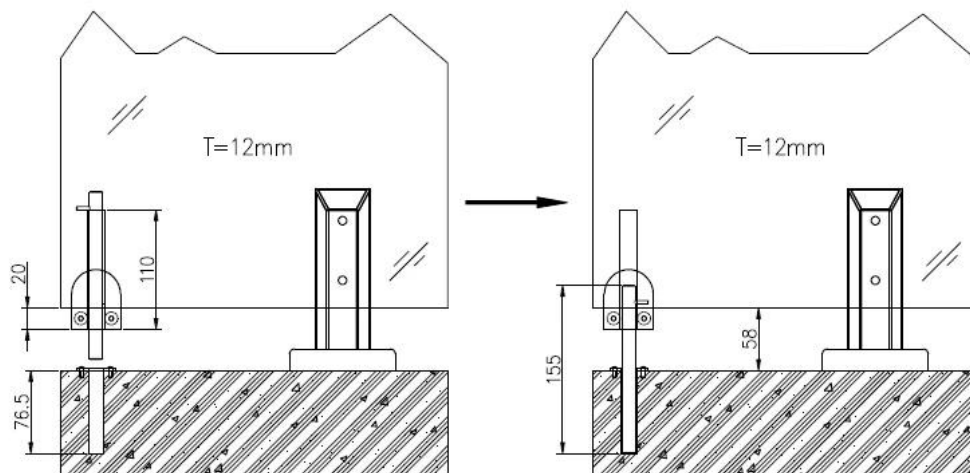
Material: stainless steel 304/316(preferable for water side);

Surface: satin brushed or mirror polished;

Glass thickness: 6-12mm;

Drawing:





Glass door stopper is used at the bottom of glass door, to keep it opening or closing;  
The installation is very easy and fast, just like the glass clamp.

Its size is customized, if you need them in you project, please send us your project drawing.

Related glass fence hardware, click the product name to more information:

[\*\*Glass spigots;\*\*](#)

[\*\*Glass door hinge;\*\*](#)

[\*\*Glass door latch;\*\*](#)

[\*\*Glass clamp;\*\*](#)

