

316 stainless steel grade Glass fencing pool gate fittings glass to glass hinge .

Features Glass to glass hinge--

Type	Glass to glass hinge
Function	spring loaded type
Model No.	G-G
Material	316 stainless steel
Finish	powder coating black color
For glass thickness	8-12mm
Max. door leaf weight	30kg /pair
Max. door width	1200mm
MOQ	1 pair
Glass pool fencing fittings	spigot , latch , hinge , clamps, posts etc.

We have three models of glass hinges for your applications-

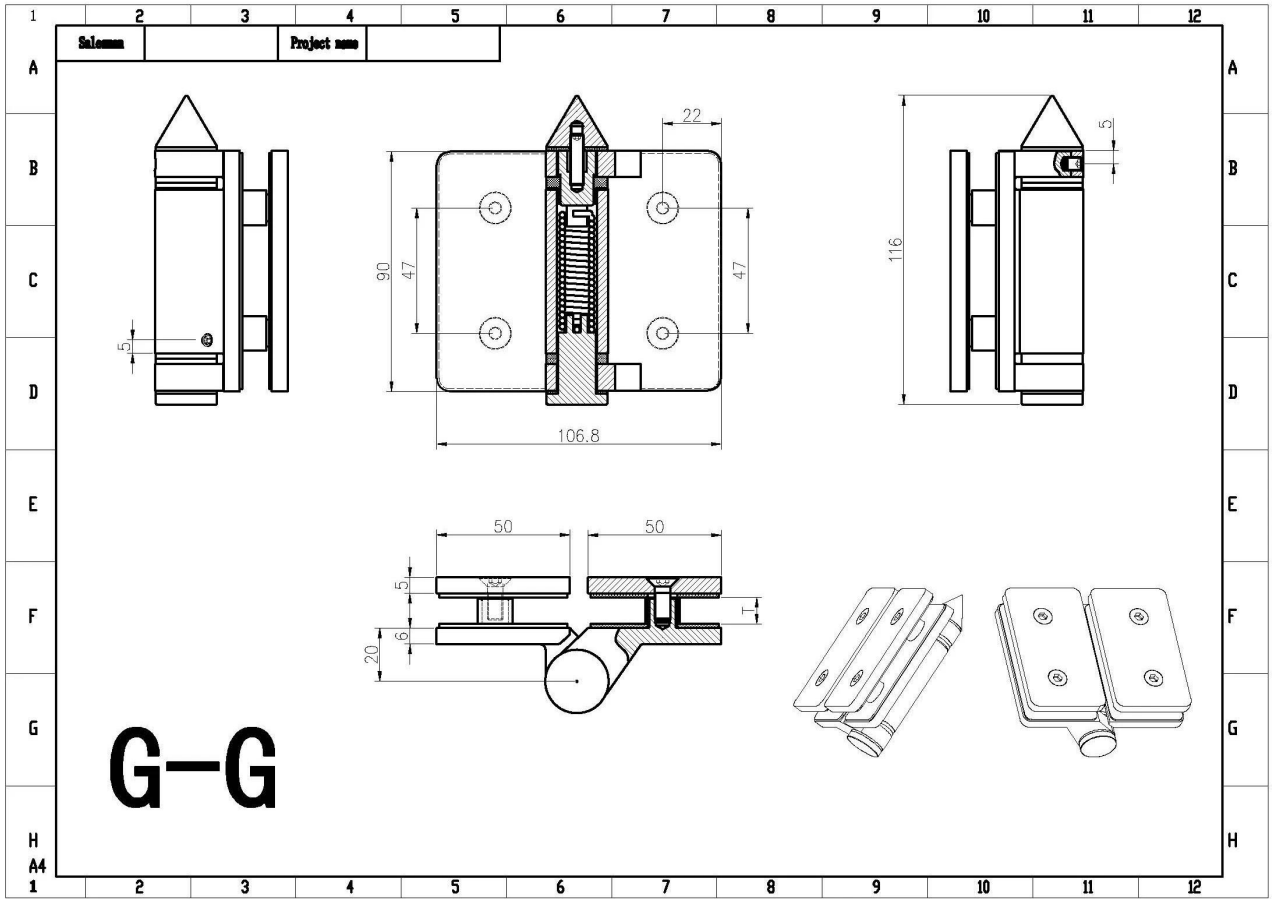
#glass to glass hinge , with coned cap on one end-



Glass to glass hinge with flat cap on both ends-



Dimensions for glass to glass hinge -



# Glass to wall hinge , with coned cap on both ends-



**G-W2**

Glass to wall hinge with flat cap on both ends-



#Glass to round post hinge , with coned cap on both ends-



**G-R2**

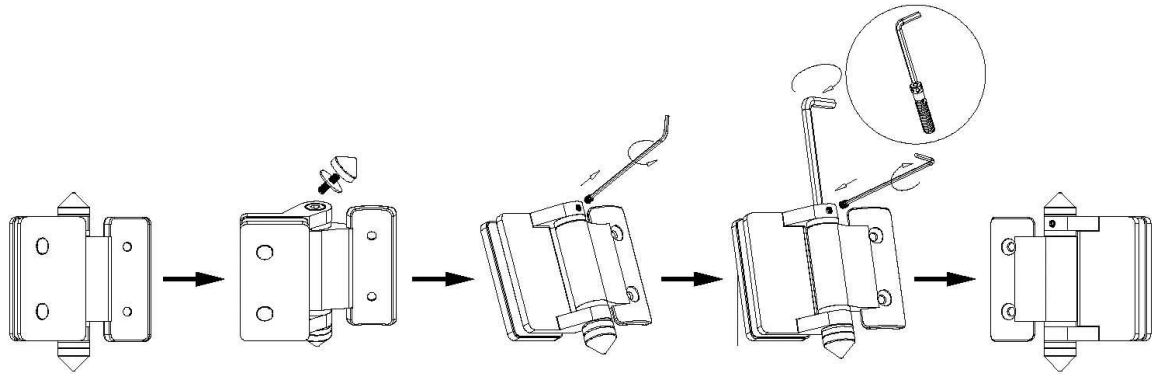
Glass to round post hinge with flat cap on both ends-



Installation instructions for glass to glass hinge-



### Instructions for adjusting tension on Glass to Round post hinge

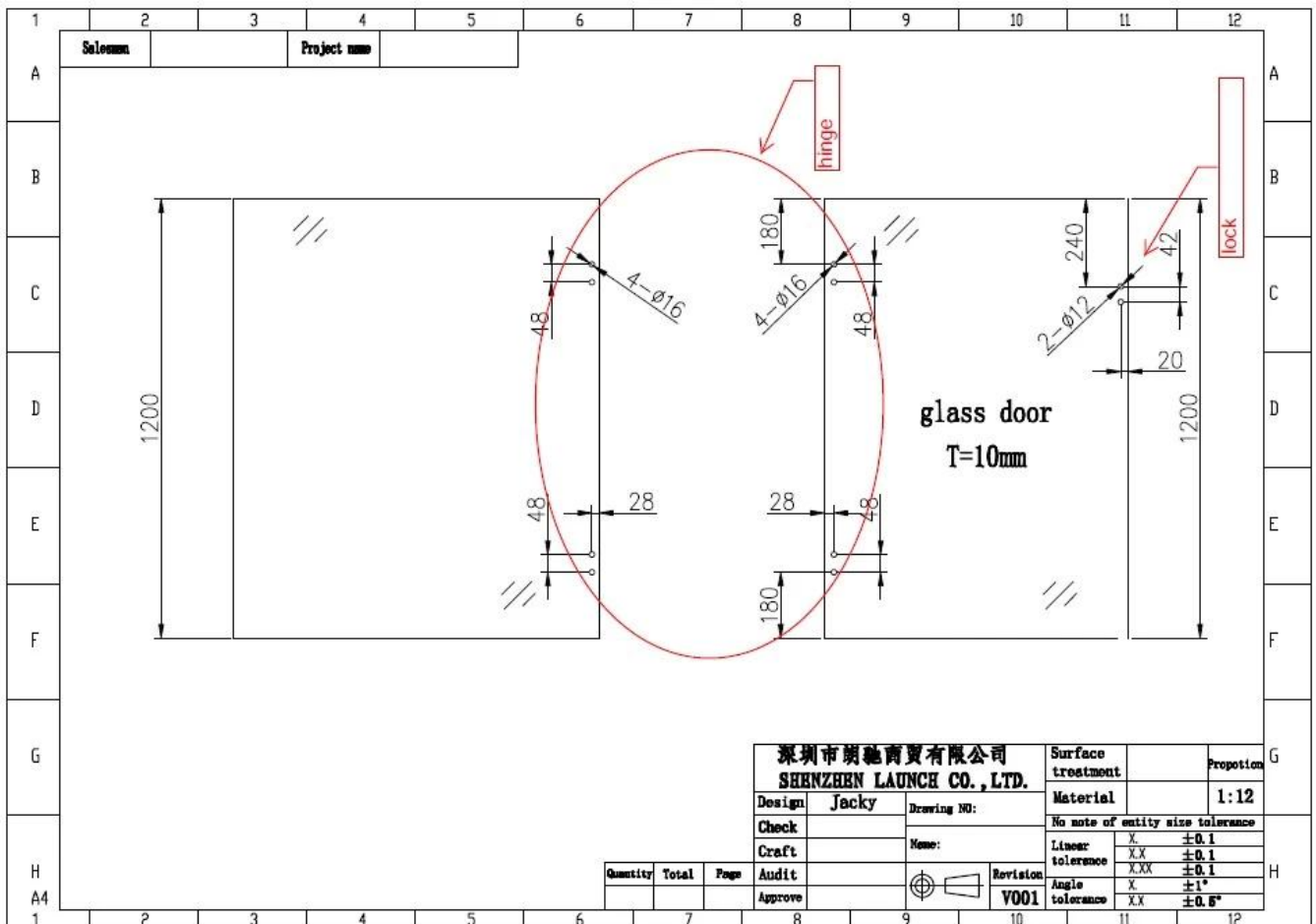


**STEP 1**  
Remove cone and grub screw by turning anticlockwise to reveal tension pin.

**STEP 2**  
Remove grub screw from side of hinge with Allen Key supplied.

**STEP 3**  
Turn the tension pin clockwise to the next hole in tension pin, then tighten the grub screw, repeat this process a Maximum of three times or 360°, Do not over tension.

### Glass hole drawing for glass door hinge & latch-



Production photos of glass hinges-









Project photos of swimming pool fence with glass hinges-









