

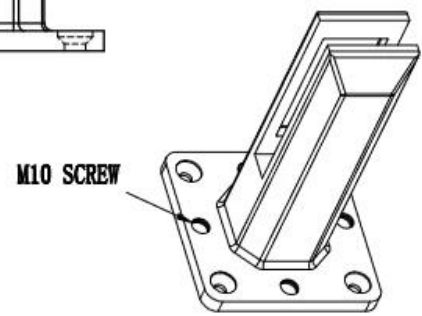
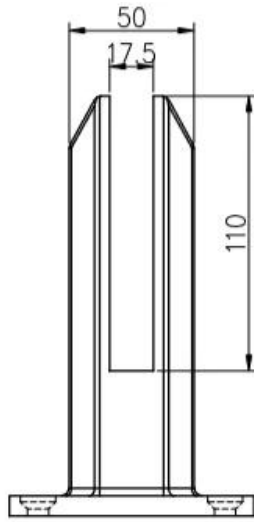
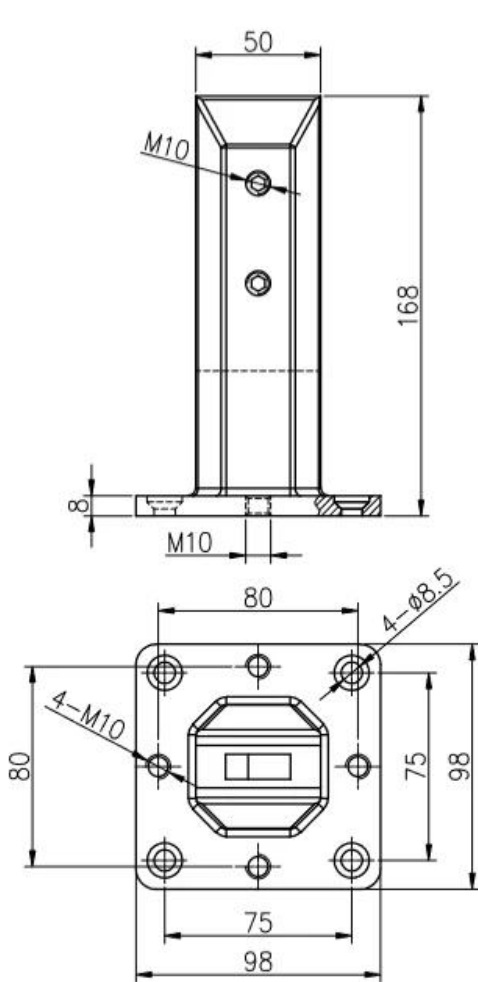
Gold Color Electro Plated Duplex 2205 Glass Spigot
Clamps For Frameless Swimming Pool fence or Balcony Glass Balustrade Handrails .

Features -

1. Model SBM
2. Material Duplex 2205
3. Finish Gold color elctro plated
4. Used for 10-13.52mm thick glass
5. No need glass holes , friction fit
6. Adjustable spigot with levelling plate



Drawing for Gold plated Duplex 2205 Glass spigot-



深圳市朗馳商貿有限公司 SHENZHEN LAUNCH CO., LTD.		Surface treatment	Proportion
Design	Jacky	Material	1:2
Check		No note of entity size tolerance	
Craft		Linear tolerance	X ±0.1
Audit		Linear tolerance	XX ±0.1
Approve		Angle tolerance	X ±1°
		Angle tolerance	XX ±0.5°
		Revision	V001

Matte Black Finish-



Satin Finish-

