

Hardware Pipe Fittings Tube Connectors 3 Way Corner 90 and 120 Degrees Elbow Square Tube

Specifications:

H
a
o
d
w
a
t
N
B
i
m
p
e
F
i
t
t
i
n
g
s
T
u
b
e
C
o
n
n
e
c
t
o
r
s
3
W
a
y
C
o
r
n
e
r
g
a
n
d
1
2
D
e
g
r
e
e
s
E
l
b
o
w
S
q
u
a
r
e
T
u
b
e

S
M
P
R
E
S
S
I
O
N
E
S
2
2
,
S
2
3
,
S
2
4
,
S
2
5
M
B
E
R
J
A
T
A
I
N
L
E
S
S
S
T
E
E
I
2
1
/
3
4
/
3
1
6
D
E
M
&
D
M
B
E
E
V
I
C
E

C
a
s
h
i
n
g
s
S
a
t
i
s
f
a
c
t
o
r
m
i
r
r
o
r
o
r
r
e
l
e
c
t
r
o
-
p
l
a
t
e
d
i
n
v
a
r
i
o
u
s
c
o
l
o
r
s

3
5
m
*
2
5
m
,
3
m
*
3
m
,
4
m
*
4
m
o
r
5
m
*
5
m
M
p
e
b
a
e
h
t
e
e
p
&
E
x
p
o
r
t
e
r
S
a
m
p
l
e
a
d
t
i
m
e

P
a
a
k
b
g
e
t
t
o
n
b
a
g
+
c
a
r
t
o
n
s
o
r
a
s
p
e
r
c
u
s
t
o
m
e
r
s
'
r
e
q
u
e
s
t

Product Models:

For use with 25*25*1.2(mm) tubes

2-way 90 degree tube connectors



2-way 120 degree tube connectors



3-way 90 degree tube connectors



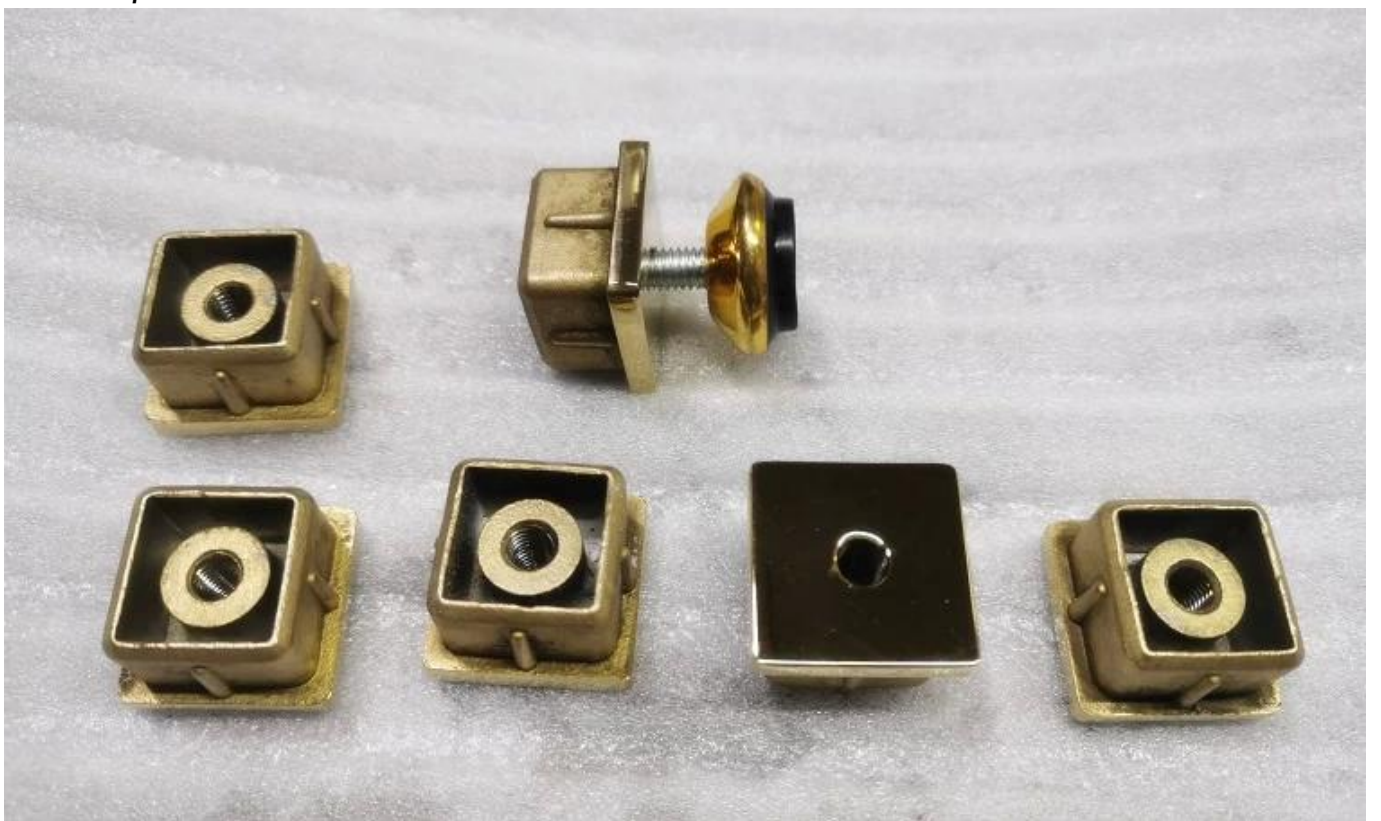
3 way 120 degree tube connector



4 way 90 degree connector



End cap for 25mm tubes

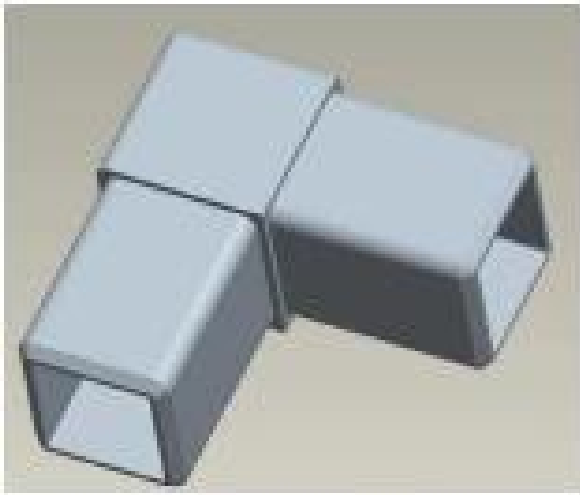


Round base:



Mirror polished finish:

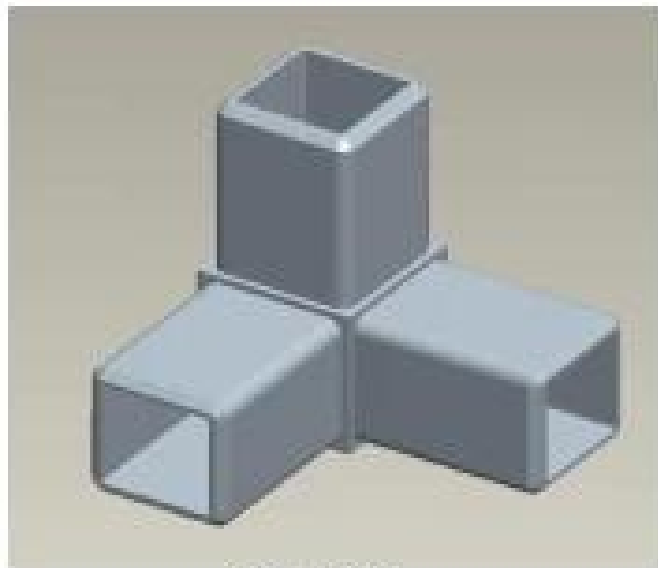




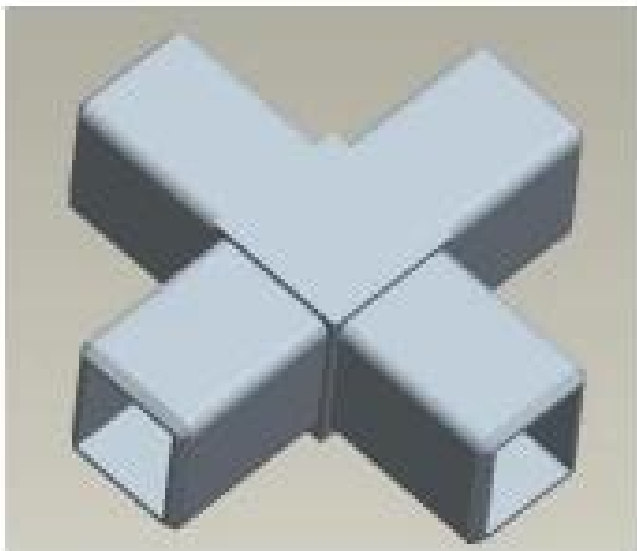
S201



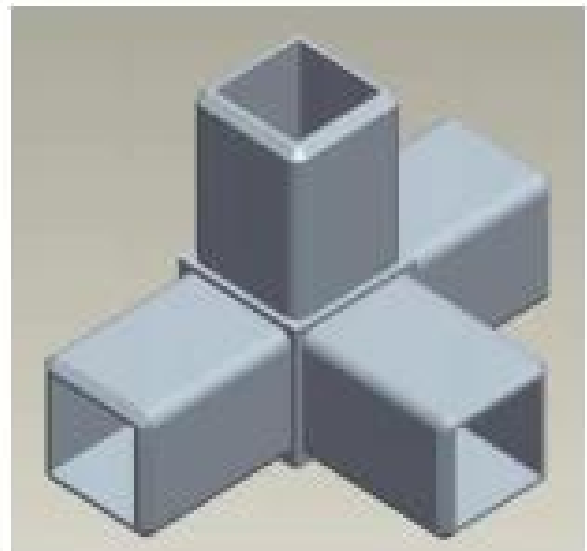
S202



S203



S204



S205

For use with 40*40*1.5(mm) tubes





S401



S402



S403

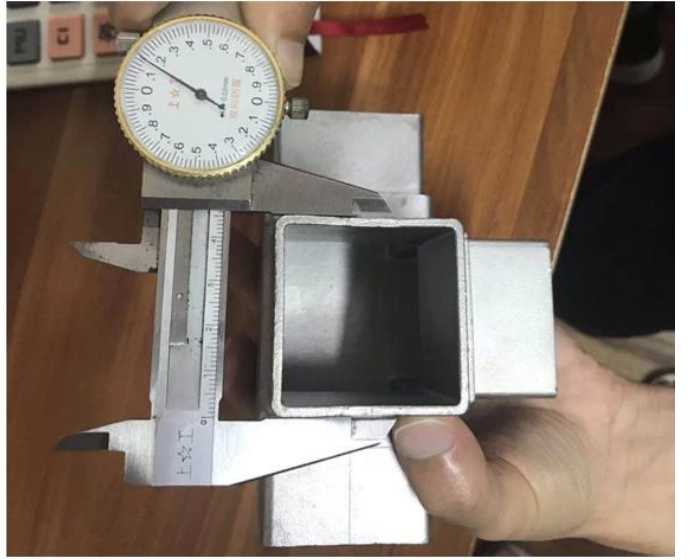



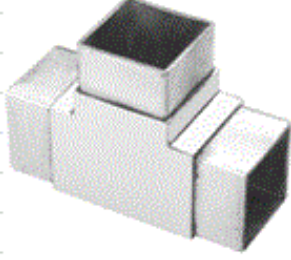



S404



S405

For use with 50*50*2(mm) tubes:



2-way tube connector	For tube dimensions	Model
	40×20×1.5(mm)	S400
	40×40×1.5(mm)	S401
	50×50×1.5(mm)	S501
	51×51×3.2(mm)	S511
3-way tube connector	For tube dimensions	Model
	40×40×1.5(mm)	S402
	51×51×3.2(mm)	S512
	3-way tube connector	For tube dimensions
	30×30×1.5(mm)	S303
	40×40×1.5(mm)	S403
	50×50×2.0(mm)	S503
	51×51×3.2(mm)	S513
4-way tube connector	For tube dimensions	Model
	40×40×1.5(mm)	S404
	50×50×2.0(mm)	S504
	51×51×3.2(mm)	S514
	4-way tube connector	For tube dimensions
	40×40×1.5(mm)	S405

Project Photos:



Round Type Stainless Steel Pipe Corner Connector / Pipe Elbow:



Part No.	For tube size	Material	Finish
▪ E301	▪ Φ 42.4mm ▪ Φ 50.8mm	▪ AISI 304 ▪ AISI 316	▪ Satin ▪ Mirror



Part No.	For tube size	Material	Finish
▪ E302	▪ Φ 42.4mm ▪ Φ 50.8mm	▪ AISI 304 ▪ AISI 316	▪ Satin ▪ Mirror



Part No.	For tube size	Material	Finish
▪ E303	▪ Φ 42.4mm ▪ Φ 50.8mm	▪ AISI 304 ▪ AISI 316	▪ Satin ▪ Mirror



Part No.	For tube size	Material	Finish
▪ E304	▪ Φ 42.4mm ▪ Φ 50.8mm	▪ AISI 304 ▪ AISI 316	▪ Satin ▪ Mirror



Part No.	For tube size	Material	Finish
▪ E305	▪ Φ 12mm ▪ Φ 20mm	▪ AISI 304 ▪ AISI 316	▪ Satin ▪ Mirror



Part No.	For tube size	Material	Finish
▪ E306	▪ Φ 50.8mm	▪ AISI 304 ▪ AISI 316	▪ Satin ▪ Mirror



Part No.	For tube size	Material	Finish
▪ E307	▪ Φ 43	▪ AISI 304 ▪ AISI 316	▪ Satin ▪ Mirror



Part No.	For tube size	Material	Finish
▪ B502	▪ Φ 12mm	▪ AISI 304 ▪ AISI 316	▪ Satin ▪ Mirror



Delivery & Packaging

--Delivery: 3-5 days by air. 10-15 days by sea

--Packing: one piece into one plastic bag, 3 pieces into one box.

--Regular lead time: 3-5 days if goods are in stock. 15-20 days if goods are not in stock. (It depends on quantity)





Contact us now for more information:

Email: sales03@launch-china.cn

Mob/Whatsapp: +8613686807796