

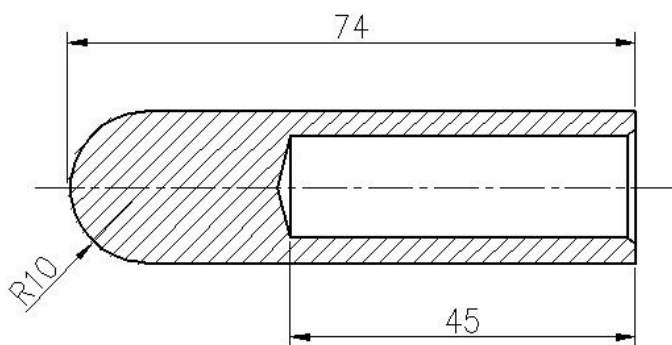
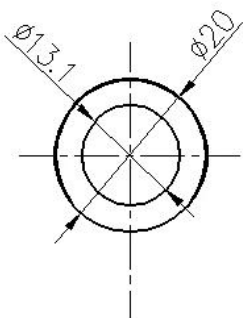
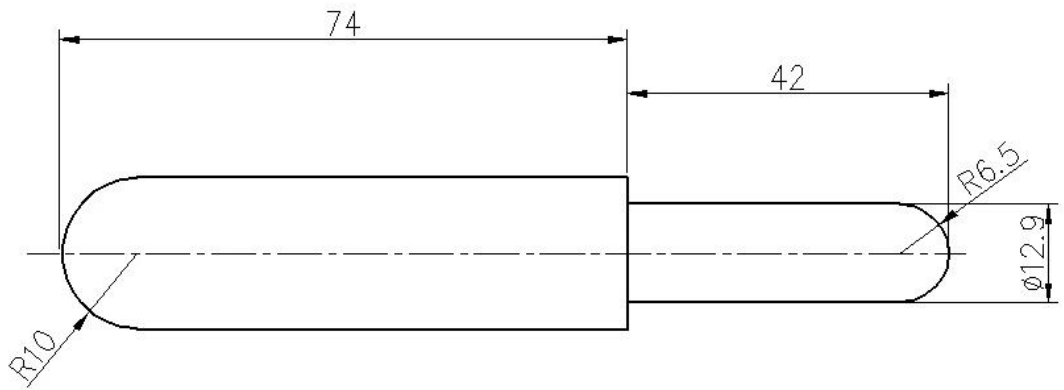
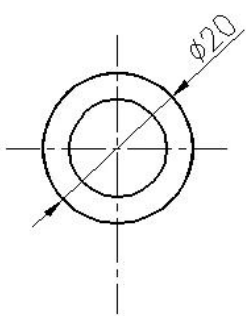
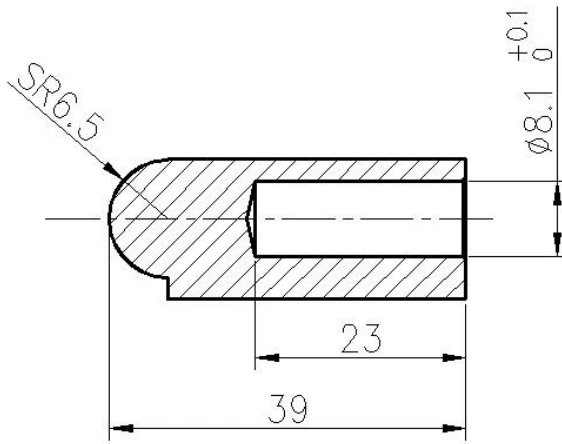
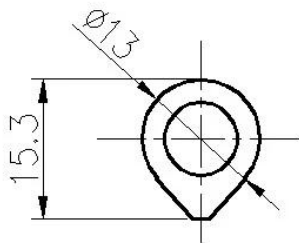
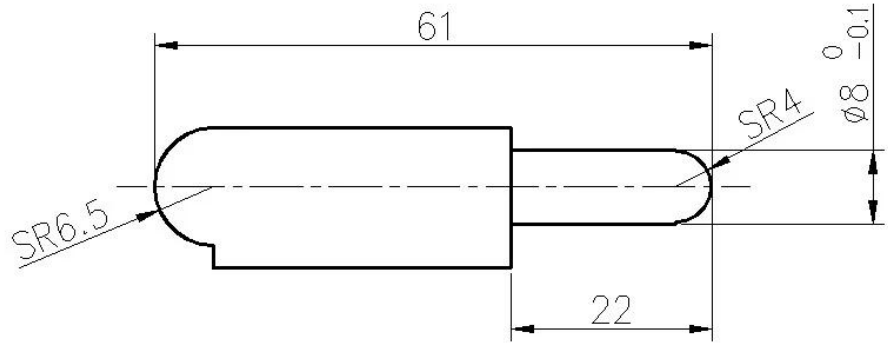
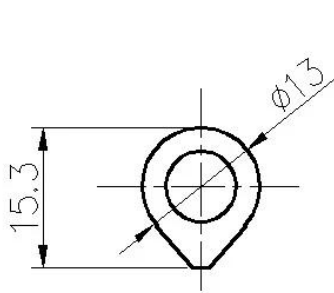
Heavy Duty 6" Aluminum Weld On Hinge Gate Welding Aluminum Hinges

Item	Weld on Hinges
Hinge Material	Stainless steel, carbon steel, aluminum
Pin & Washer Material	Steel, brass, stainless steel
Surface Treatment	Polished
Application	Truck bodies, refuse containers, agricultural equipment, electronic cabinets
Size	As you require
Service	OEM & ODM





Technical Drawings:



Applications:



Contact us for more details:

Eve

Email: sales03@launch-china.cn

HP/WhatsApp/WeChat: +8613686807796