

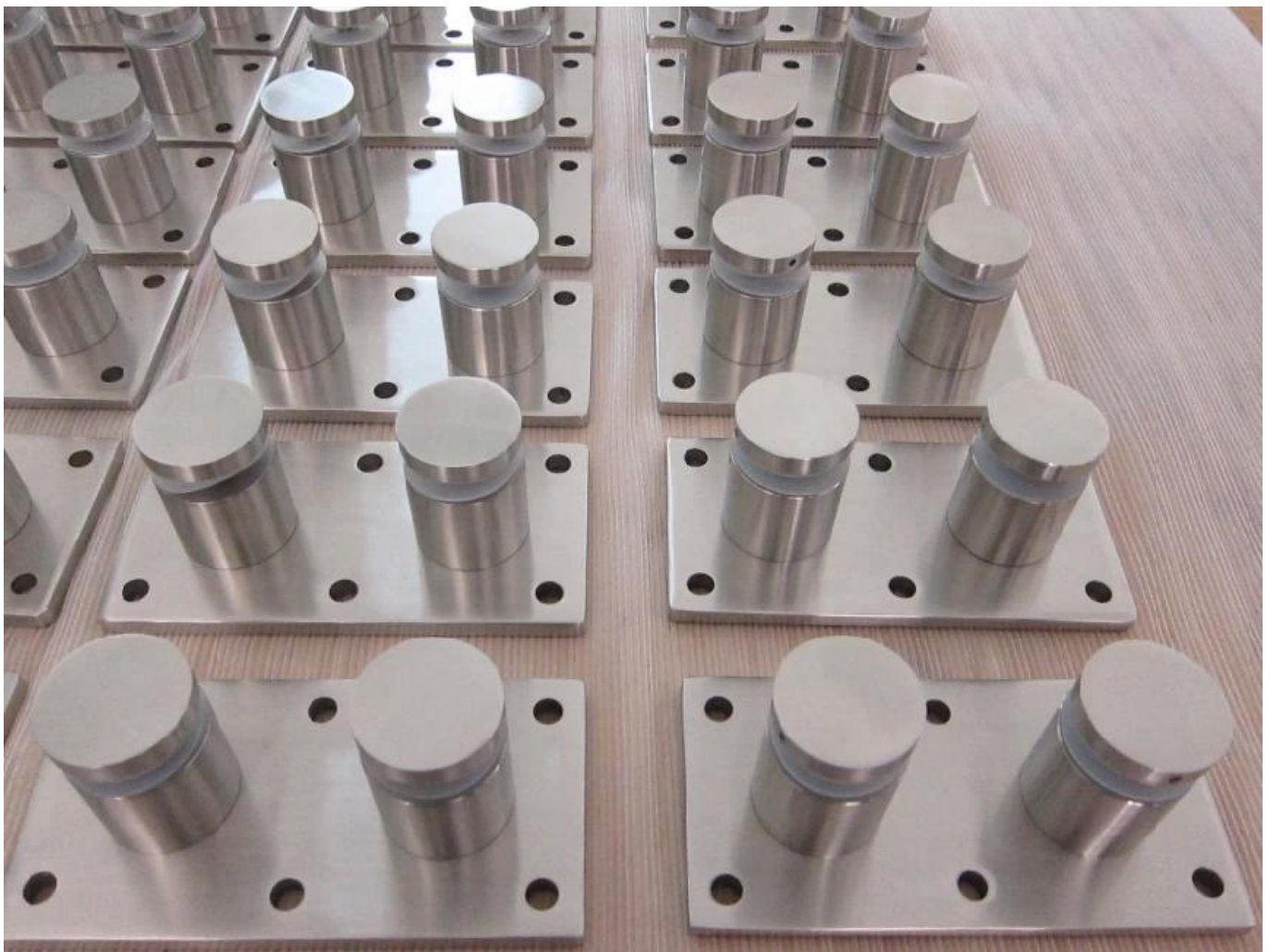
Heavy Duty Glass Rail Standoff Fitting with Mounting Plate SF-50T



Product Name	Heavy Duty Glass Rail Standoff Fitting with Mounting Plate SF-50T
Model No.	SF-50T
Material	Stainless Steel 304/316
Finish	Mirror polished, or satin prushed
Glass standoff size	50x12mm cap,50x44mm body,200*100*10 base
For glass thickness	12-19mm, or as per customers' requirements
Drilled Glass Hole	Diameter 14mm required in glass
Net weight	3236g/piece
Mounting	wooden, steel or concrete substrate

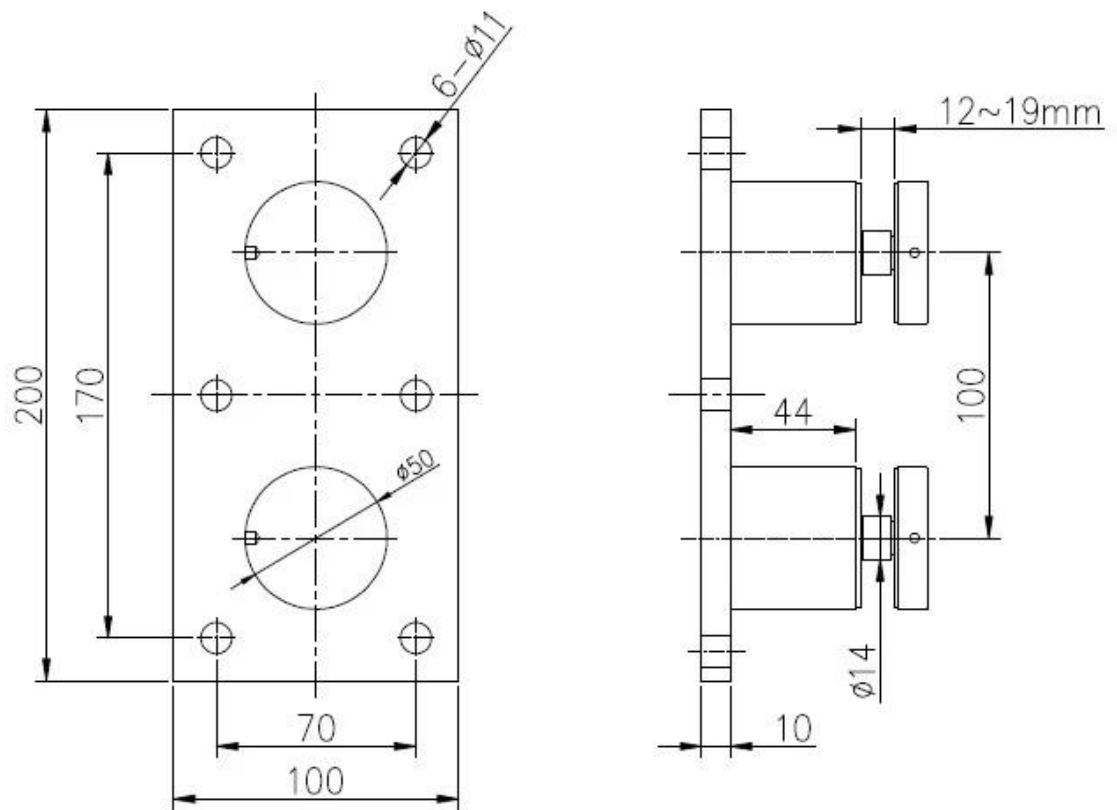
MOQ	One piece
Sample	Available
OEM & ODM service	Acceptable
Application	Indoor and outdoor staircases design, balcony railing, deck frameless glass railing, Juliet balcony design, floating staircase
Factory Inspection	Available
Standoff packing	One piece into one bubble bag, then into one white box, 12 pieces into one cardboard carton or packing as per customers' requirements

Product Show:





Technical Drawing:



Project Photos:



OTHER TYPES GLASS RAILING STANDOFFS AVAILABLE:



SF-50T



SF-50A



SF-50



SF-38



SF-38Z

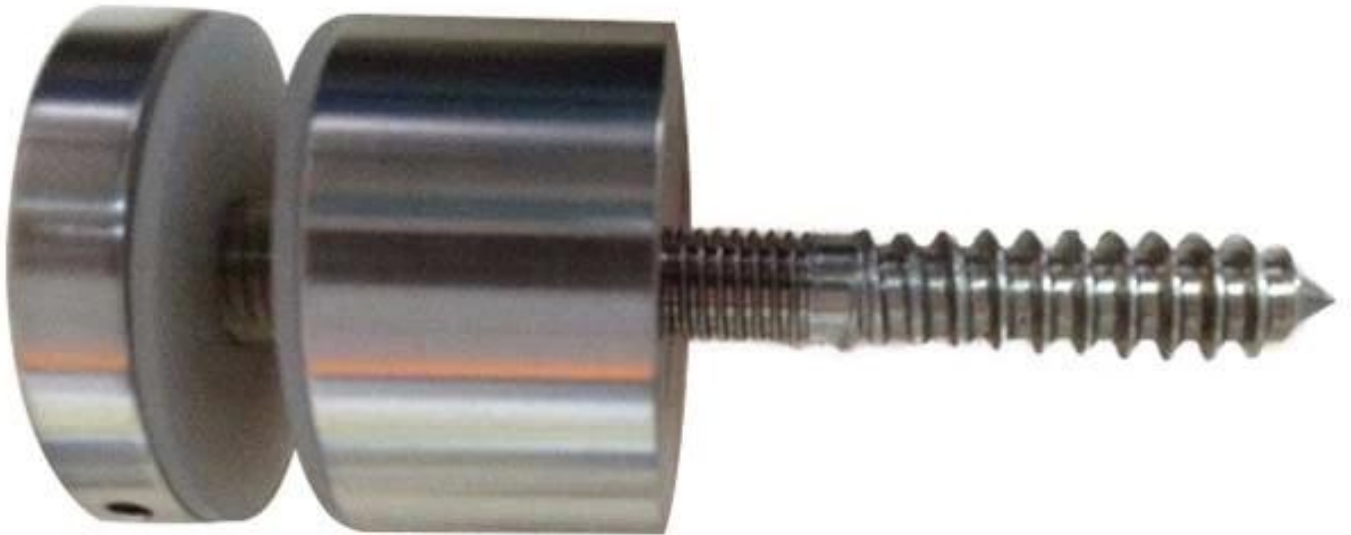


SF-30

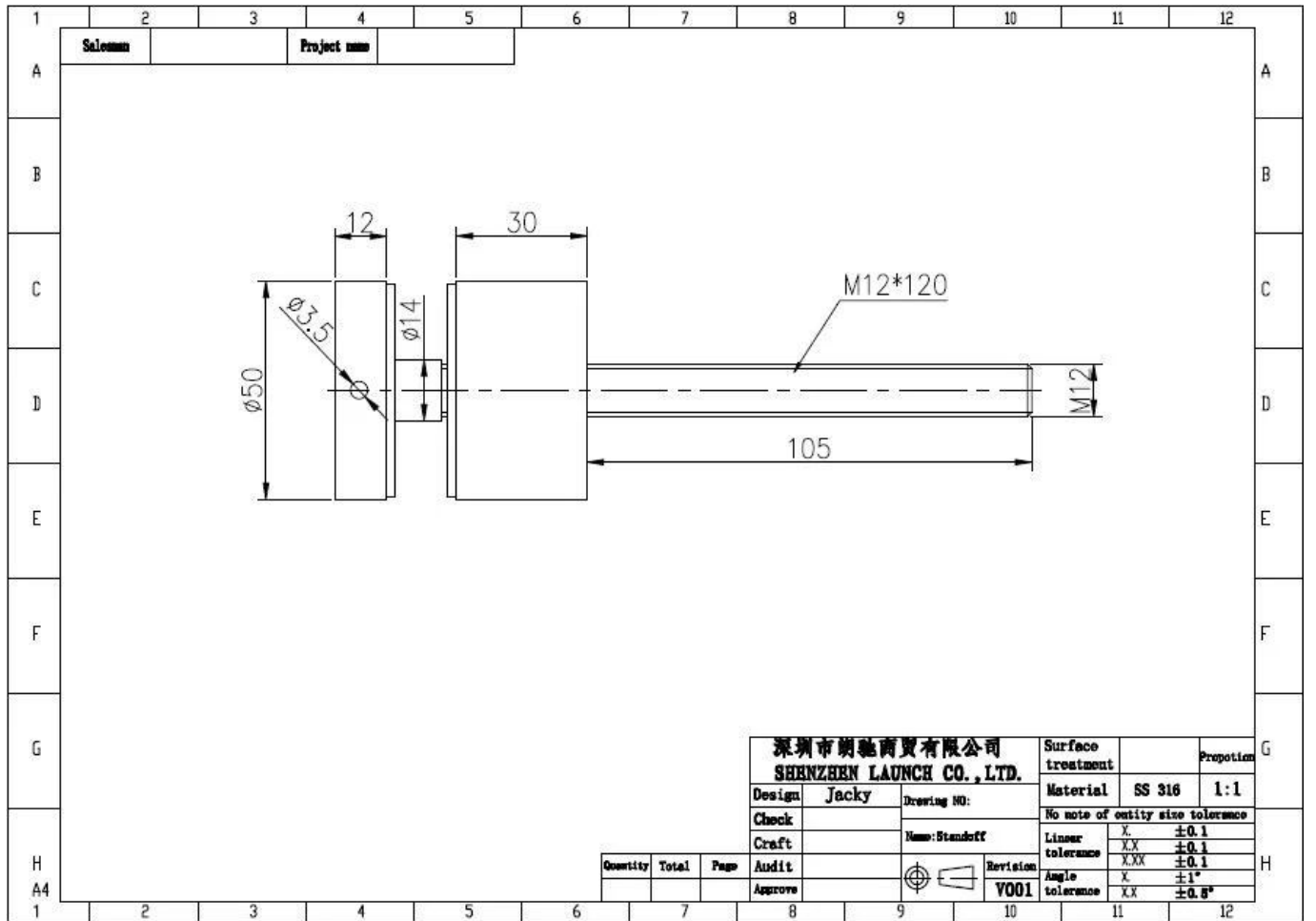
Dia 50mm Glass Standoff in Mirror / Satin Finish Model SF-50:

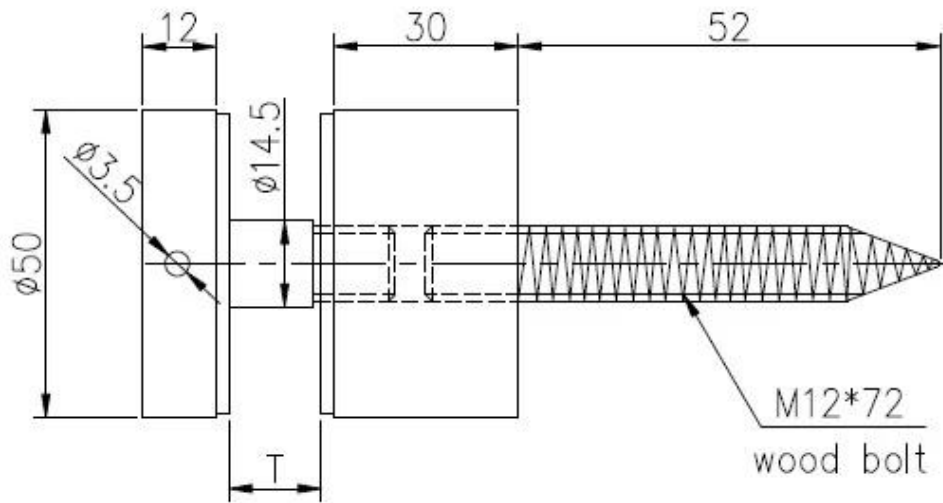


With concrete bolt & wood screw Model SF-50W:



Technical drawing:





深圳市朗馳商貿有限公司 SHENZHEN LAUNCH CO., LTD.				Surface treatment		Proport
Design	Jacky	Drawing NO: SF-60		Material		1:1
Check		Name: Standoff		No note of entity size tolerance		
Craft				Linear tolerance	X. ±0.1	
					X.X ±0.1	
Quantity	Total	Page	Audit	Revision	X.XX ±0.1	
				⊕	Angle tolerance	X. ±1°
				☞		X.X ±0.5°
			Approve	V001		

Project Photos:

outdoor and indoor glass standoff, frameless standoff glass railing design, stainless steel glass standoff bracket, glass standoff pin



[Stainless steel glass standoff for frameless glass balustrade](#)



[stainless steel standoff bracket for glass railing design](#)



Contact us now for more information!

Email: sales03@launch-china.cn

Mob: +8613686807796