

Heavy duty casting SS316 glass to round post hinge G-R2

Brand Name: KEBIL

Type: glass to round post

Material (Chemical Composition)

304: C≤0.08 Cr:18.00-20.00 Ni: 8.00-11.00 Si≤1.00 S≤0.030 P≤0.045

316: C≤0.08 Cr:16.00-18.00 Ni:10.00-14.00 Si≤1.00 S≤0.030 P≤0.045 Mo:2.00-3.00

Application: frameless glass screen

Surface: Satin, Mirror

Glass Thickness: 8mm or 10mm or 12mm

Glass door size: 1200x900mm or 1500mmx1200mm

Weight: N.W:0.70KG,G.W:0.75KG

Installation: one side drill two holes/the other side drill two holes in post

Delivery Port: Shenzhen, China

MOQ: 10 PCS

Payment Term: L/C,T/T,PayPal,Western Union,Secure Payment

[Product show:](#)

Mirror-polished:





Satin-brushed:



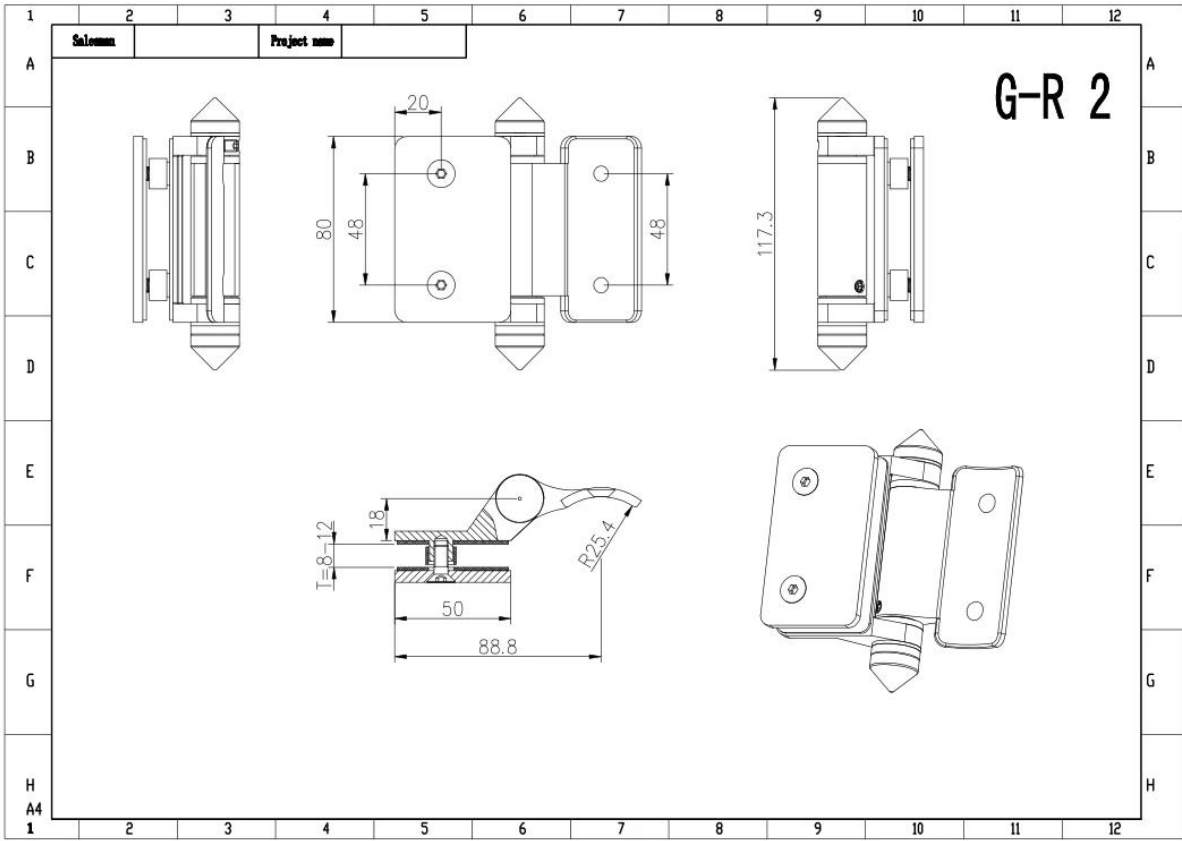


Packing:



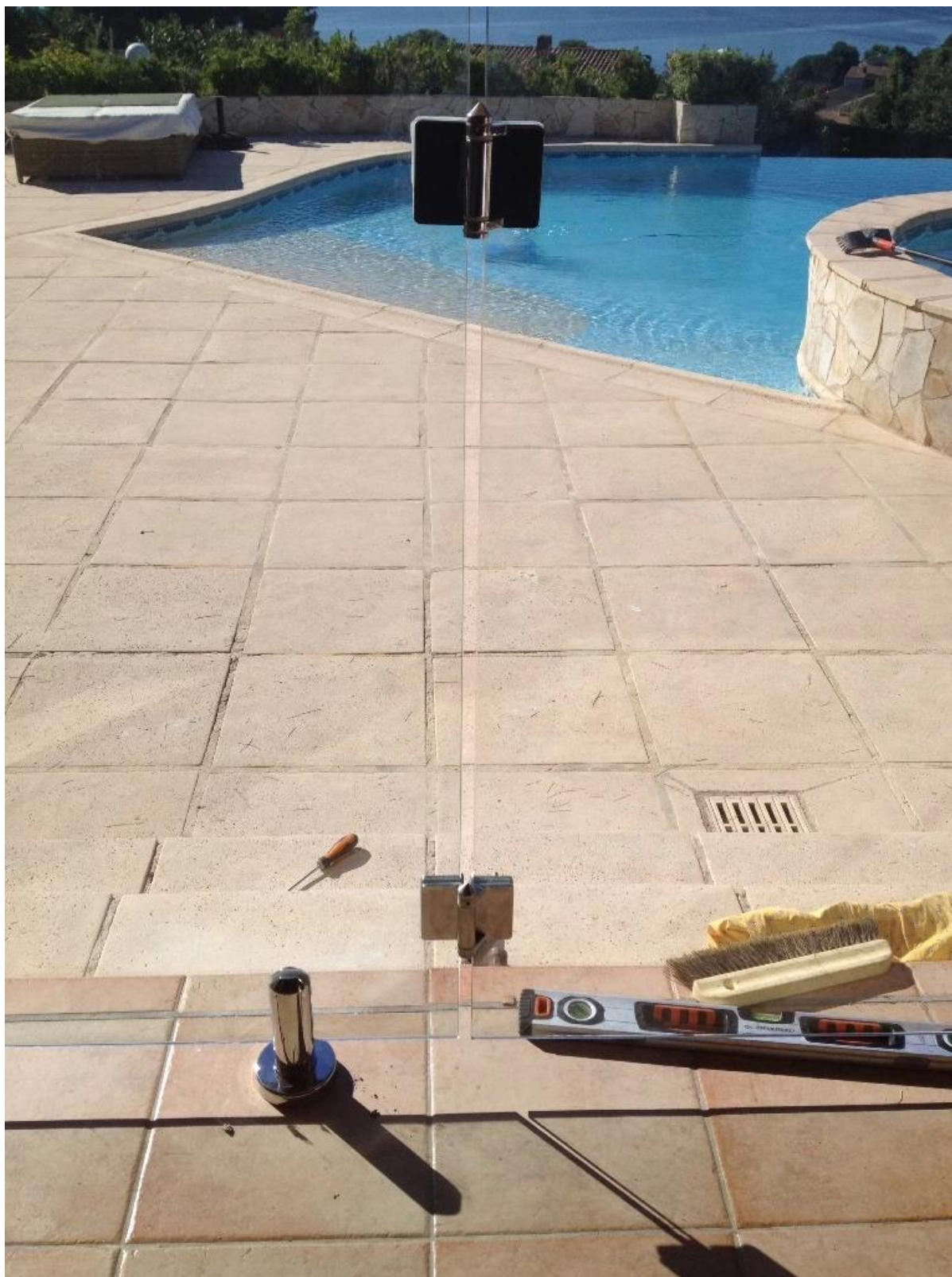


Drawing:



Project image:





Welcome to contact us for more info:
Email: sales03@launch-china.cn
Mobile: +8615907334556

Eve Chow

Sales representative

M : +86 159 0733 4556

T : +86 755 8603 7559

E : sales03@launch-china.cn

A : B5-5003, Yilida Bldg, Nanshan District, Shenzhen