

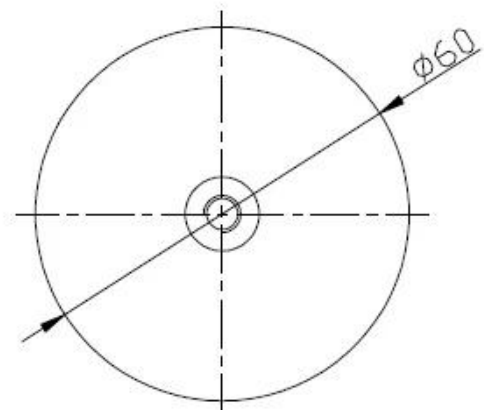
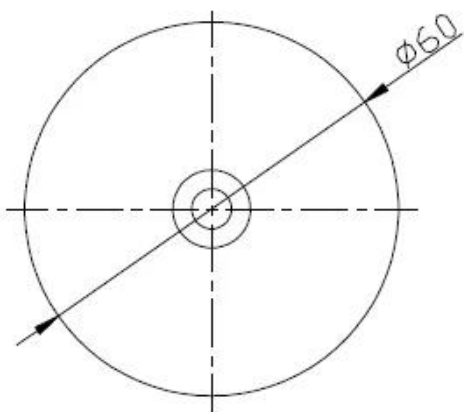
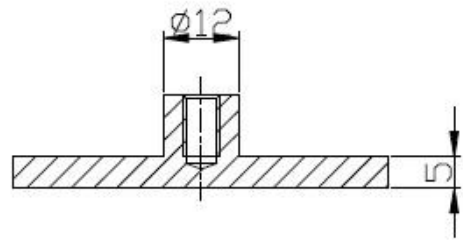
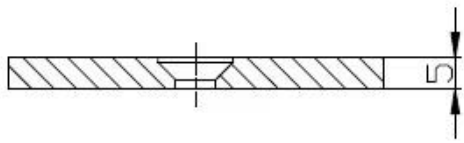
High Quality Stainless Steel 180 Degree Glass Clamps Glass Railing Clamps

Product Description

Product Name	High Quality Stainless Steel 180 degree Glass Clamps Glass Railing Clamps
Material	Stainless steel 304 or 316
Finish	Mirro / satin finish
Manufacture Method	CNC machining or casting. Depends on quantity.
For Glass Thickness	10-12mm glass or customer's requirements
Glass clamp type	Customized glass clamp
Usage	To holder glass panels in different angles.
Application	Glass railing for balcony, stairs, deck, pool fence,,,
Installation	Glass mounting
Sample	Available to check quality before order
Factory Inspection	Available
Safety Packaging	Bubble bag - cardboard box - carton
Certified	Yes (Material test report can be provided)
OME & ODM Service	Available

180 degree Glass Clamp Details

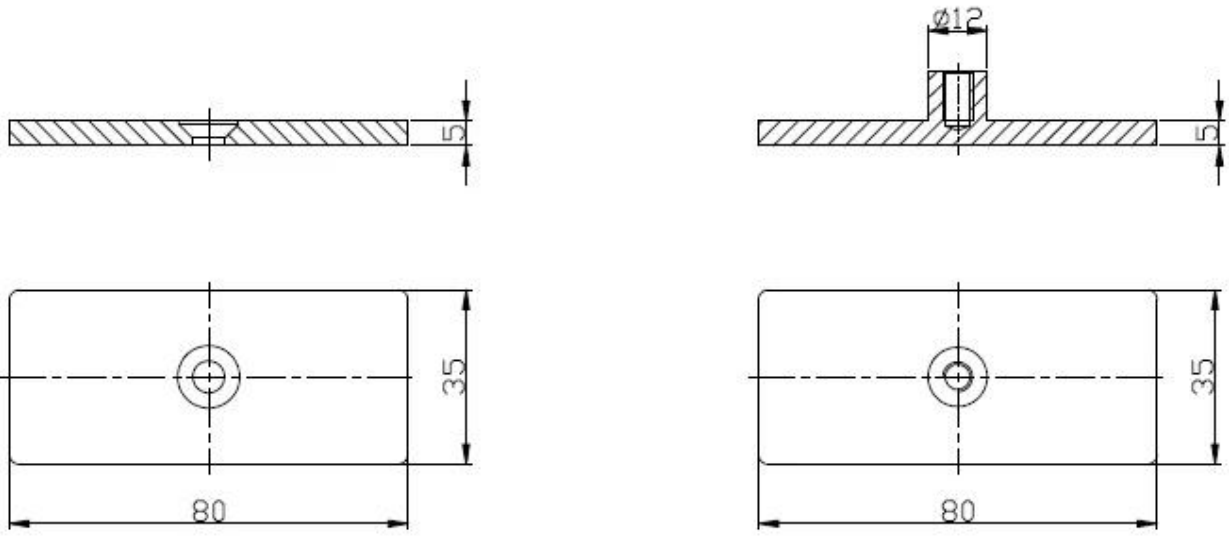
(1)Round Shape CB-60



-Custom size and degree glass clamp is also available. We are factory.

(2) Square shape BC-80x35





(3) Square shape installed at top PV-180

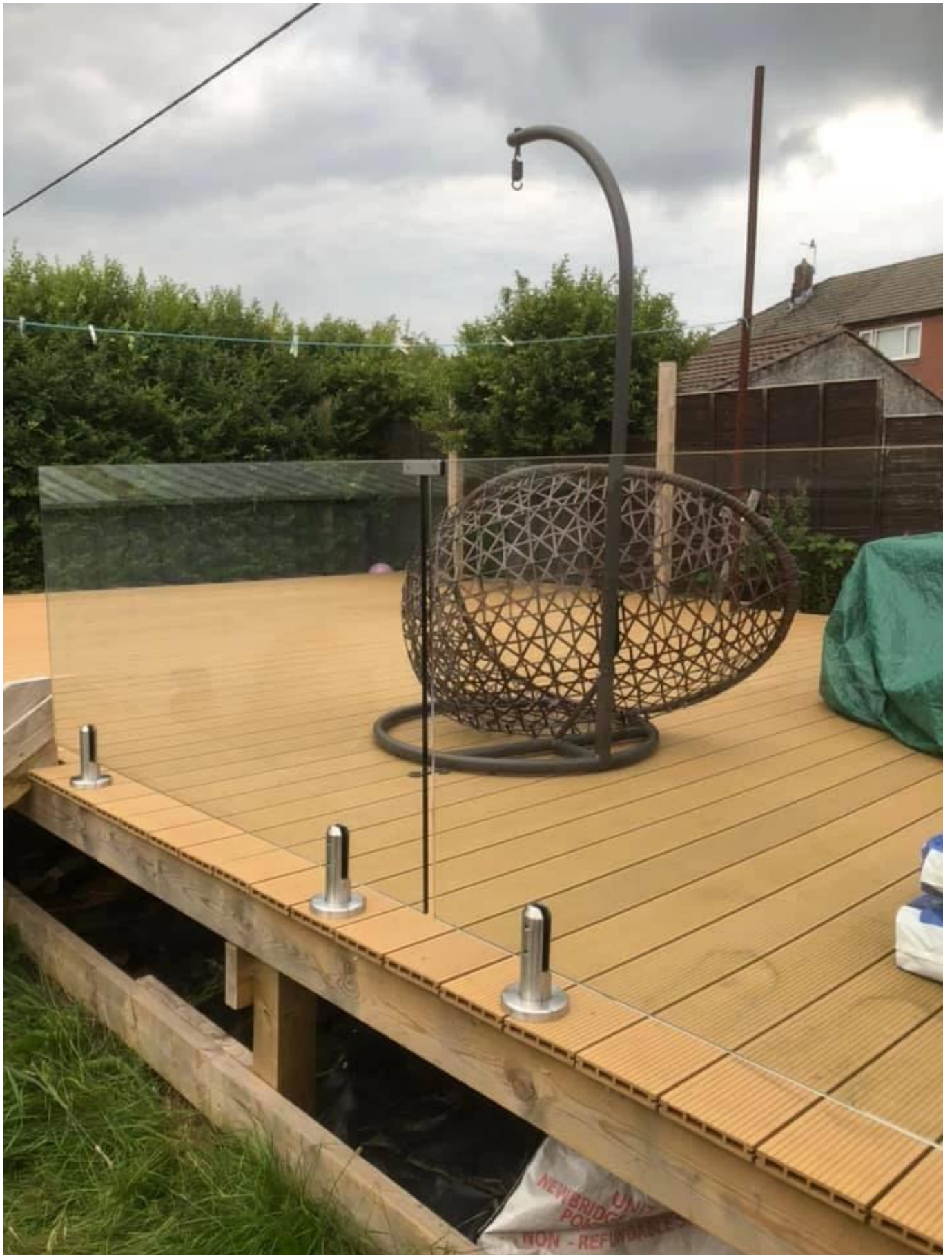




180 degree Glass Clamp project





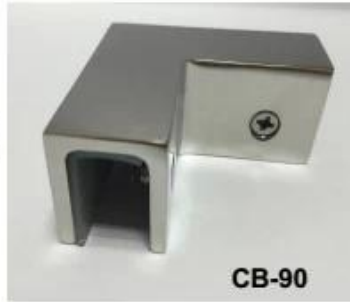


[Other Glass Clamps you may intrested](#)



BC-80x35

- Square 80x35mm clamps
- To hold **180°** glass panels
- For 8-12mm glass



CB-90

- Corner glass clamp
- To hold **90°** glass panels
- For 8-12mm glass



BC-60

- Round $\phi 60$ mm clamps
- To hold **180°** glass panels
- For 8-12mm glass



PV-90

- Corner glass clamp
- To hold **90°** glass panels
- For 12-15mm glass



CB-180

- **Glass to wall** clamps
- For 8-12mm glass



PV-135

- Corner glass clamp
- To hold **135°** glass panels
- For 8-12mm glass

Drawing	Picture	Ref.	A	B	C	D	E
		G108	55	55	30	11	0
		G108R	58	55	30	11	R25.4
		G101	51	41	25	11	0
		G101R	55	41	25	11	R21.5/R25.4
		G102	44	44	25	11	0
		G102R	48	44	25	11	R21.5/R25.4
		G103	50	40	22	8	0
		G104	50	40	26	12	0
		G105	54	45	28	14	0
		G107	63	45	28	14	0
		G103R	52	40	22	8	R21.5
		G104R	52	40	26	12	R21.5
		G105R	58	45	28	14	R21.5/R25.4
		G107R	66	45	28	14	R21.5/R25.4
		G106	50	40	25	12	0
		G106R	52	40	25	12	R21.5/R25.4

Welcome to custom made if needed!

FAQ

1.Are you factory?

Yes, we are factory.

2.Do you offer free samples?

Yes, we offer free samples, but customers need to pay express charges.

3.What materials do you have?

We have the material of stainless steel 304, 316, 316L and Duplex 2205.

4.What is your MOQ?

MOQ of order required is 1 pc.

5.What kind of payment do you accept?

We accept the payment of T/T, LC, PayPal, West Union, etc.

6.What is your payment term?

Our payment term is T/T 100% or 30/70 or L/C at sight .

7.What is your delivery time?

Our delivery time is from 5 days to 30 days based on your quantity.

8.Do you offer OEM & ODM service?

Yes we offer OEM&ODM service.

9.Do you offer after-sales service?

Yes, we offer after-sales service. Any complaint for orders will be dealt with in time within 12 hours.

Contact

Any enquiries or questions, please leave a message. Will get back to you within 24 hours!

For any urgent enquiry, please get in touch as below:

-Email: sales04@launch-china.cn

-Tel: (86-755) 8603 7559

-Skype: launch_04

-Mob/whats APP: +86-15989339827