

The standoff glass railing system can be used in both the exterior and interior. Most commonly this system is excellent for interior applications such as glass railings and glass staircases where the entire perimeter of the glass is exposed for a more modern look. Standoffs are installed in solid surfaces such as steel, wood or concrete, in the face of a staircase or balcony. The glass is suspended vertically by standoffs and each piece is independent of other pieces for support, unless a handrail is installed for additional strength.

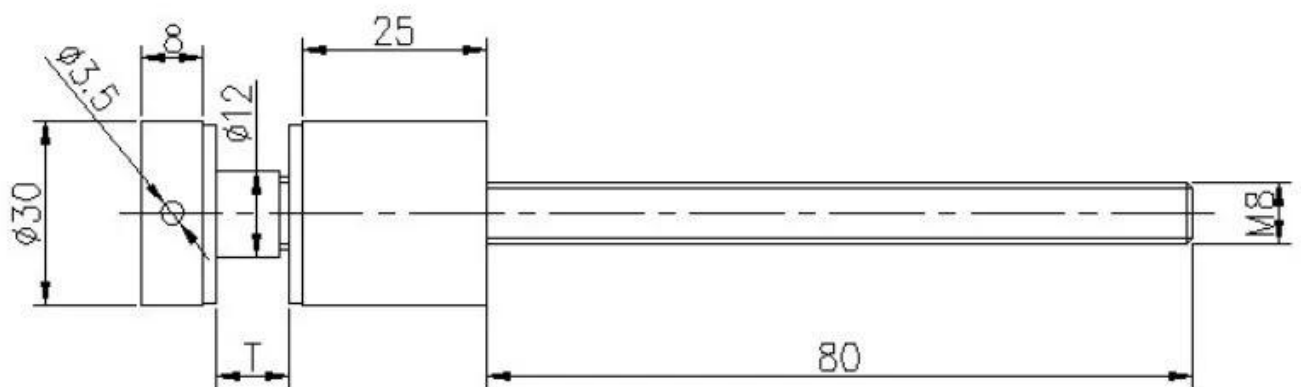
[Products Show](#)

Model No.: SF-30

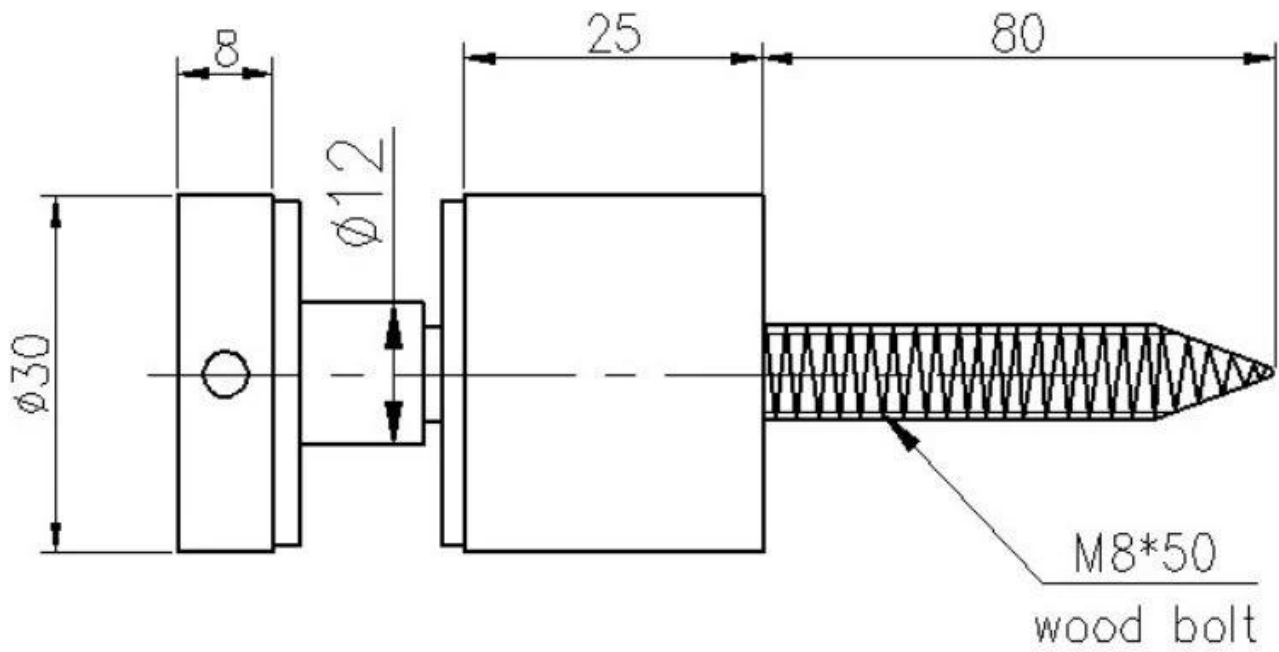




Technical Drawing



With wood screw



**Application Pictures**

Glass Standoff railing system for staircase



Glass standoff railing system for balcony

**KEBIL** 科比奥®



Other types of glass standoff

KEBIL 科比奥®



KEBIL 科比奥®



KEBIL 科比奥®



SF-50T

Adjustable Glass Standoff SF-38/50

**KEBIL** 科比奥®



Should you have any interests, please feel free to contact me.

Frank Fang

Phone/WhatsApp/Wechat: +8615906261741

Email: [sales02@launch-china.cn](mailto:sales02@launch-china.cn)