

Indoor Stainless Steel Stair Railing Cable Tensioner

Hardwares model T803 Swageless type For 4mm 5mm 6mm diameter Cables .

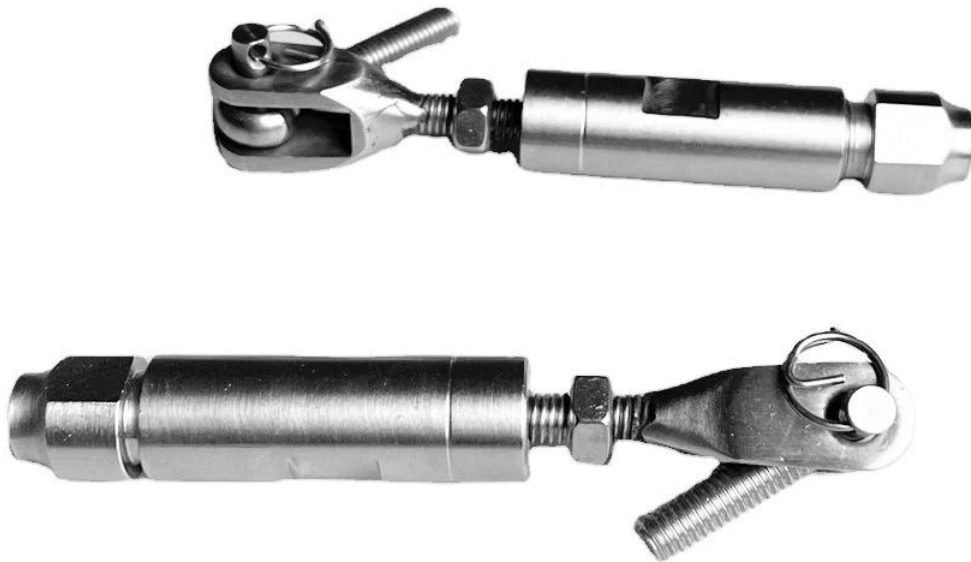
Model T803 Railing Cable Tensioner

Hardware is made of solid stainless steel material , by CNC machining with high quality . It is Swageless type no need to use hydraulic crimpers to tighten , please conatct us for installation manuels .

Material available : stainless steel 304; stainless steel 316

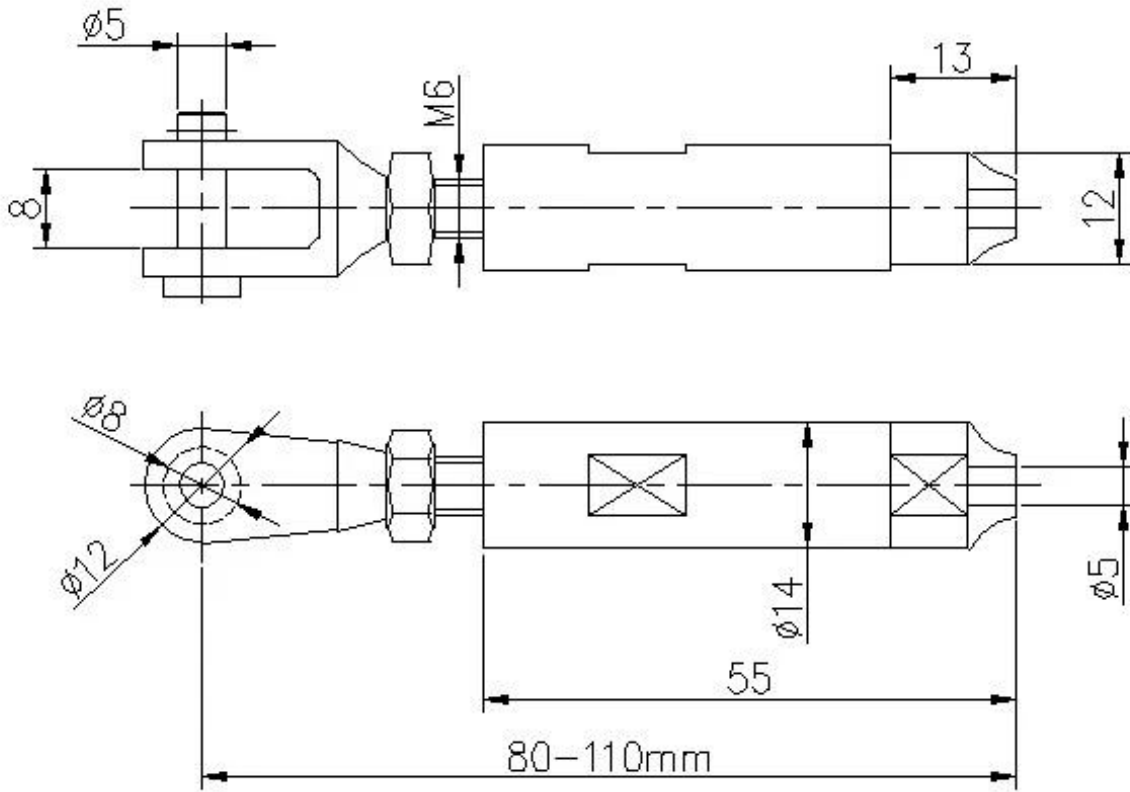
Finish available : Satin; mirror , matte black

Cable Diameters : 4mm 5mm 6mm

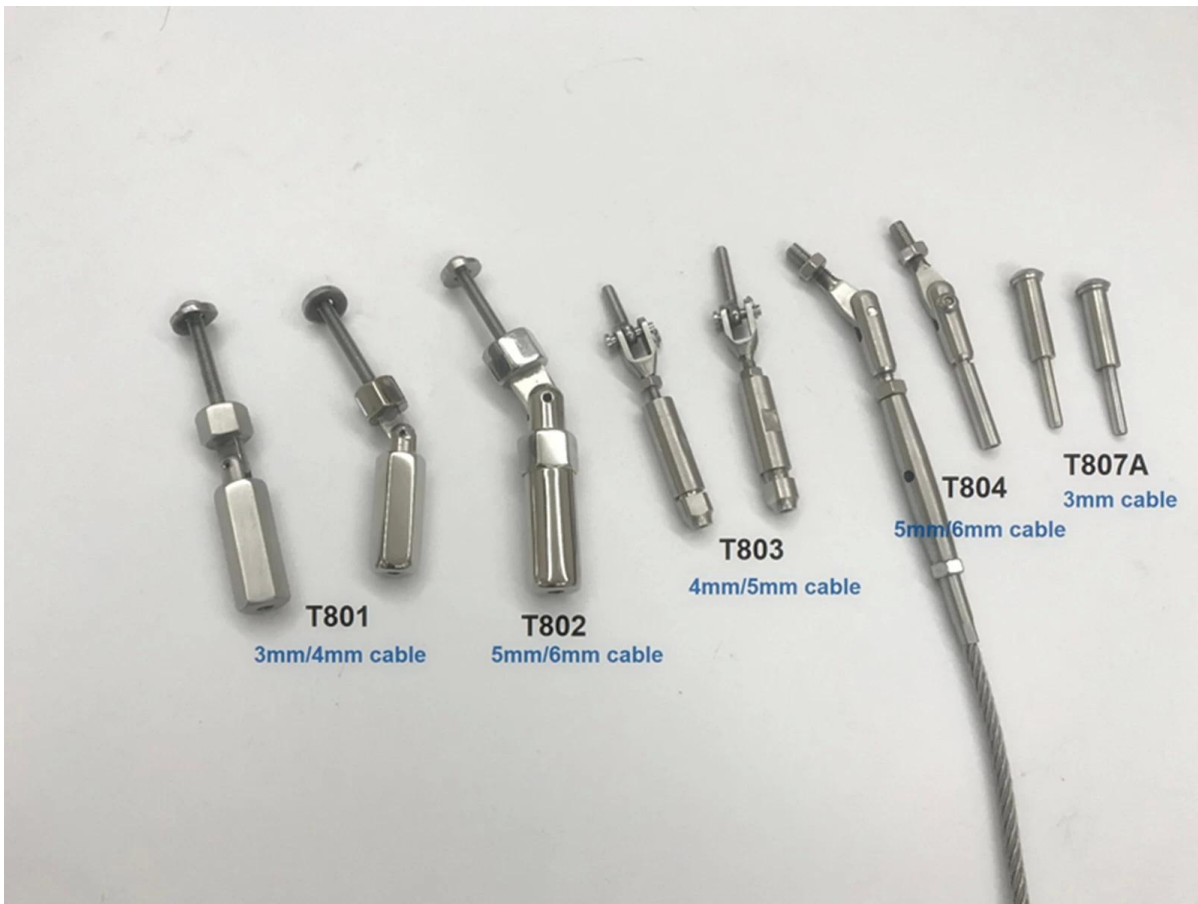




Drawing for Railing Cable Tensioner Hardwares T803-



More types of Railing Cable Tensioner Hardwares available for selection-



Production photos-

