

## Inox Stainless Steel Glass Spigot Frameless Glass Balustrade Railing Support







## Product Description

<b>Product Name</b>	<b>Duplex 2205 Stainless Steel Adjustable Frameless Railing Balustrade Pool Fence Glass Spigot</b>
<b>Material</b>	Duplex 2205 / stainless steel 316
<b>Standard</b>	Australian Standard <b>AS 1926.1-2012</b> : Safety Barriers for Swimming Pools
<b>Installation</b>	4 x 11mm Counter Sunk Holes for timber screw or Countersunk bolt installation
<b>Finish</b>	Mirror polished / satin brushed / black / gold
<b>For Glass Thickness</b>	8-13.52mm (NO hole required in glass)
<b>Height</b>	168mm
<b>Base Cover Size</b>	100x100mm for square, diameter 100mm for round
<b>Mounting</b>	Surface/floor mounting
<b>Manufacture Method</b>	Casting (high quality)
<b>Packaging Details</b>	1) One piece into one bubble bag, then into one white box 2) 12 pieces into 365x330x230mm cardboard carton 3) Packing as customers' requirements
<b>Application</b>	Pool fence/balcony/deck/stairs glass railing
<b>Factory Inspection</b>	Available
<b>Sample</b>	Available

<b>MOQ</b>	10 pieces. Could order as per your job requirement.
<b>OEM &amp; ODM Service</b>	Available

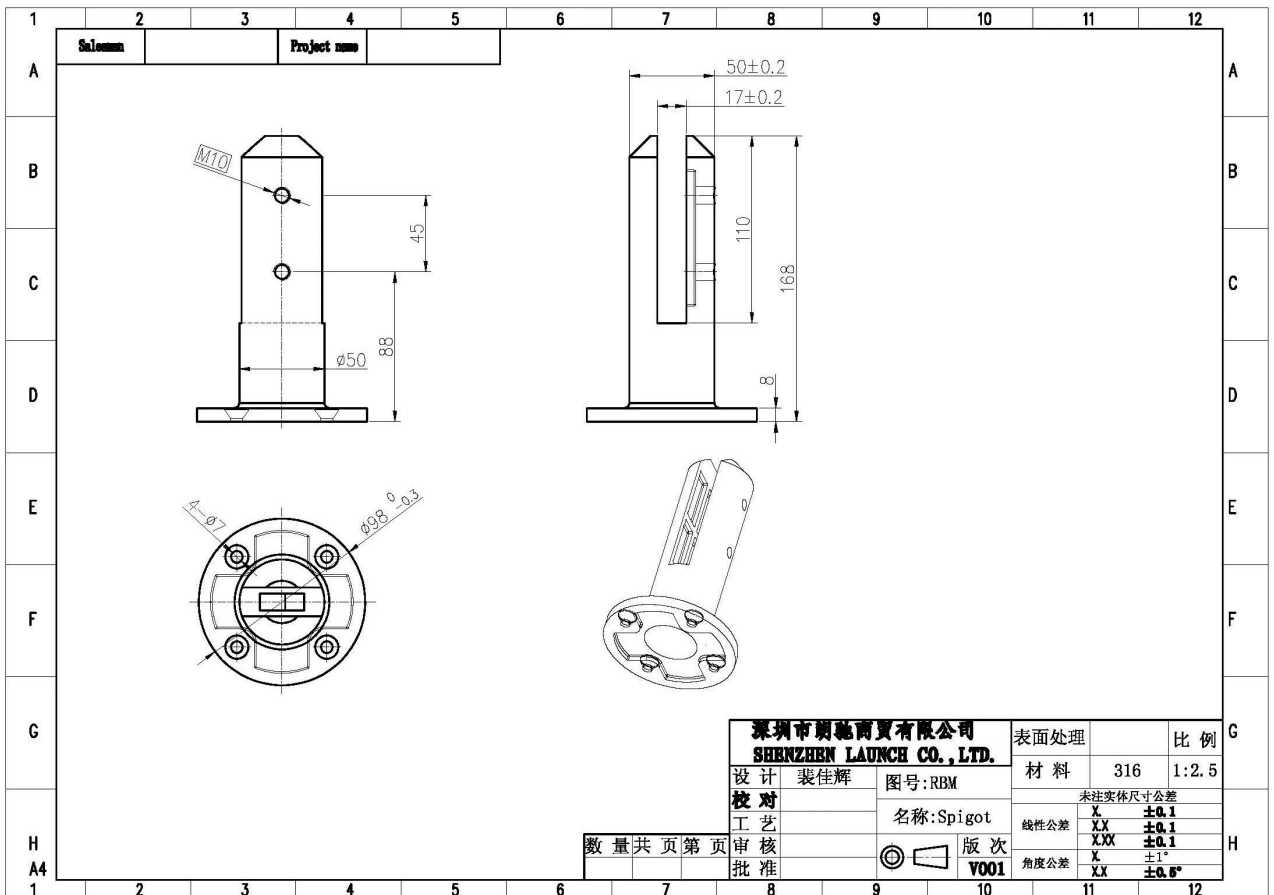
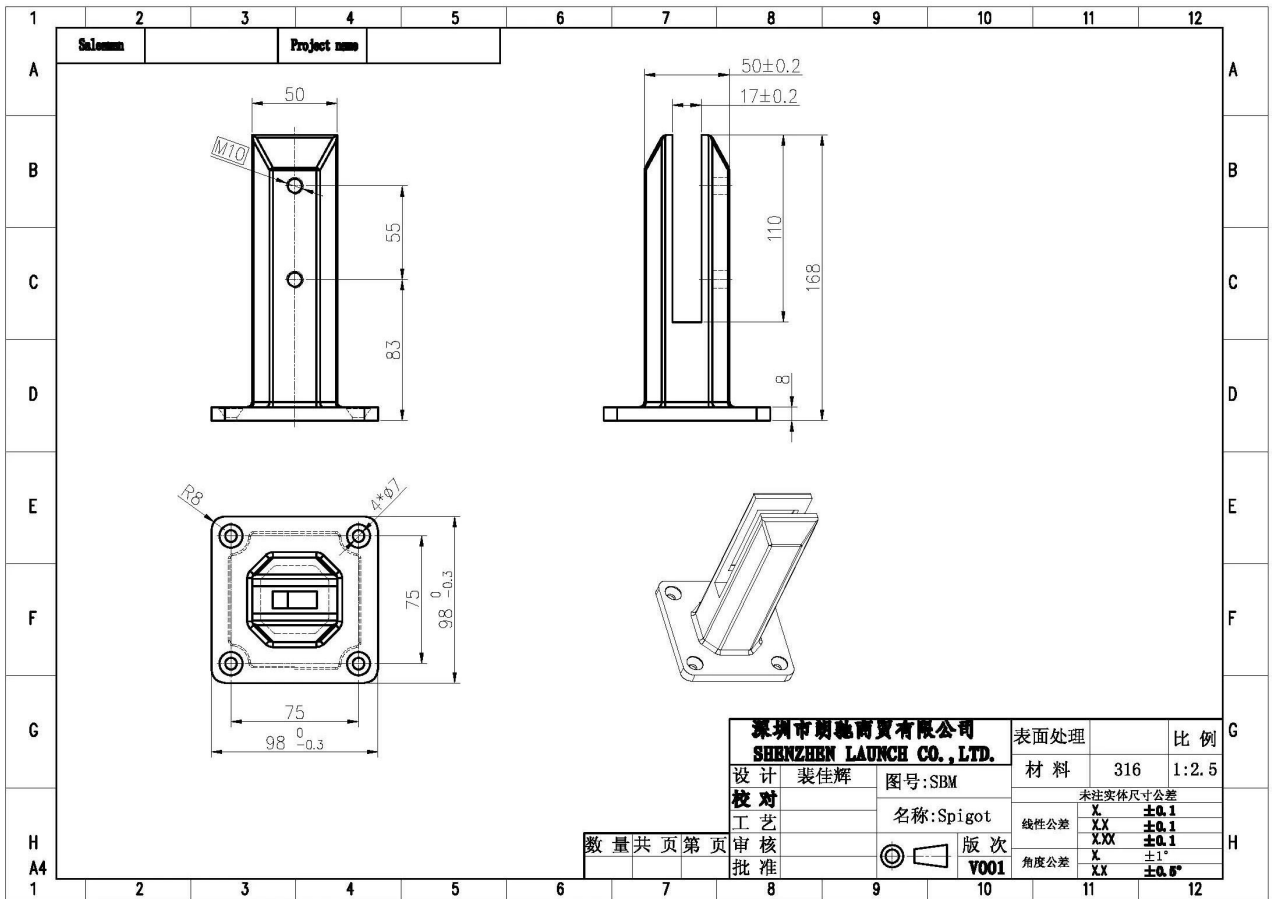
**- Black matte powder coated finish**



**Glass Pool Fence Spigot Details**

---

1) Glass pool fence spigot technical drawing



2) Glass pool fence spigot pictures

**- Mirror polished finish**



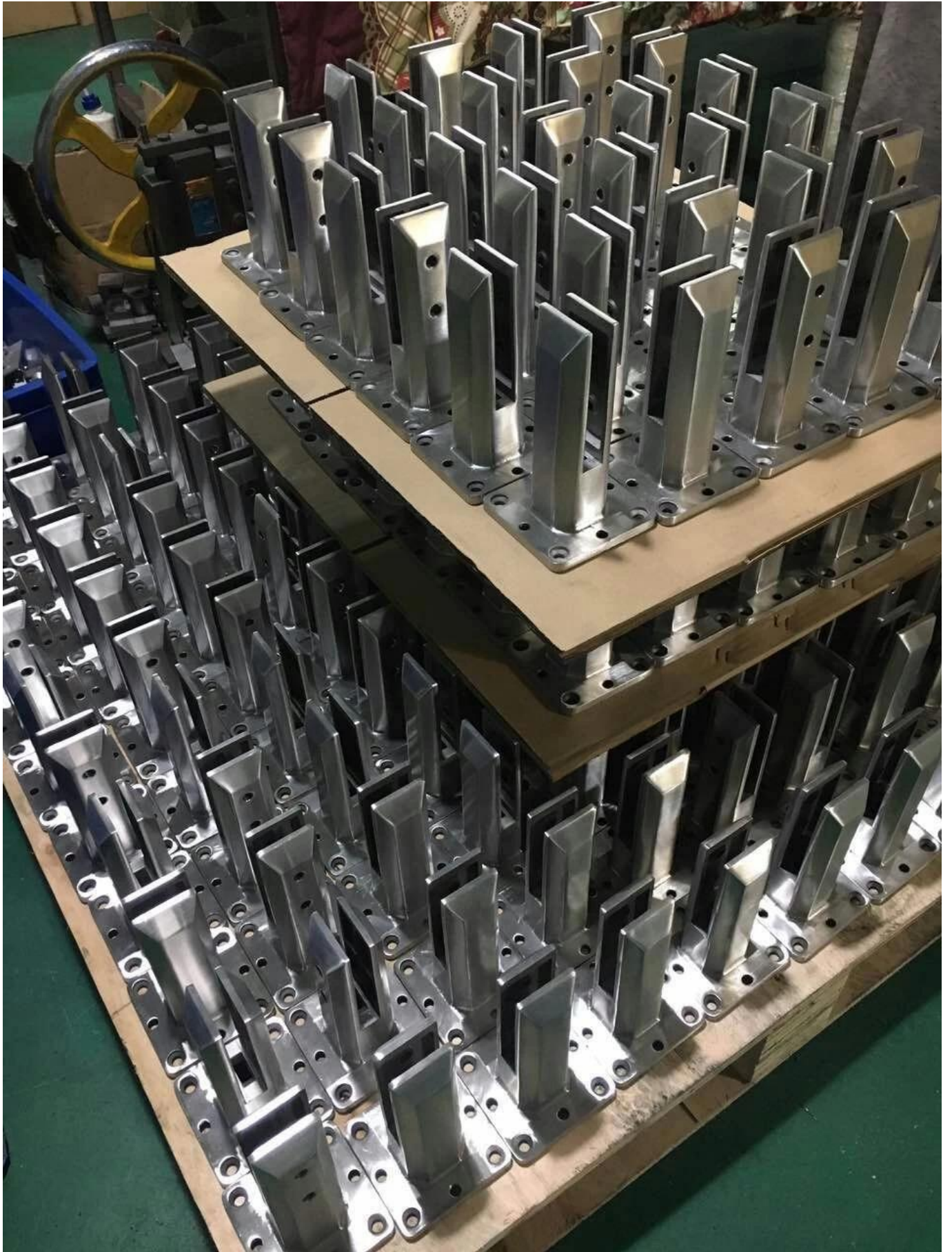
**- Satin brushed finish**



**RBM**



**SBM**







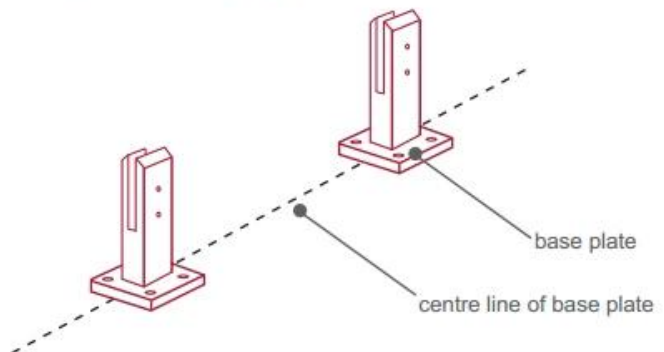
### 3) Glass Pool Fence Spigot Installation Guide



#### fixing method: base plate spigots

Mark out the centre line of proposed glass fence with a chalk line. Determine clamp location based on a sheet size (recommendation on pages 1 & 2). Use base plate as a template to mark out the hole positions and drill holes to suit.

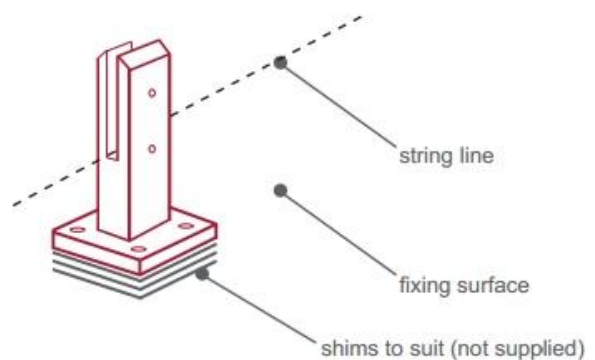
**Note:** Do not exceed 100mm gaps between glass panels. Optimum gap is 40mm to 60mm



Now the base plated spigots can be fitted to the floor and plumbed via shims (not supplied) under the base plates. Be sure to tighten firmly as the smallest of movement at the base plate will result in noticeable movement at the bottom of the glass fence.

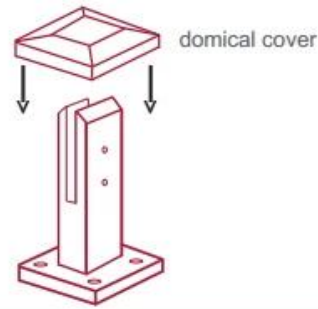
**Tip:** By setting the two outer spigots of your total span, a string line can be run in the 'throat' of the spigots, giving correct height for all spigots in between

**Note:** Do not exceed 100mm gap from the fixing surface to the bottom of the glass



When all spigots are installed, slip domical cover the top of the spigot to hide fixings. It will be necessary to turn the adjustment screws on the spigot face all the way in to allow cover to pass over

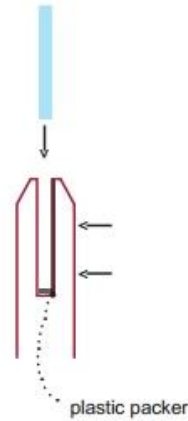
**Note:** Same installation method applies to round base plate spigot



The glass is then installed to the spigots. Place plastic packers between glass & spigot, at no stage should glass touch the metal

**How adjustability works:**

1. Place glass in spigot
2. Fix/ tension glass both sides with allen key



## **Glass Pool Fence Spigot Safety Packaging**

1. One piece into one bubble bag, then into one white box.  
12 pieces into 365x330x230mm cardboard carton.
2. Packing as customers' requirements.



## **Glass Spigot Clamps Projects**

---





## FAQ

---

1.what material do you have ?

SS304, SS316, SS316L, duplex 2205, ect.

2.Can you send me your whole price list ?

Sorry, as the price related to many factors, such as quantity, material type, surface treatment and so on, we will offer you exact quote after we confirm your detailed requirements.

3.Do you offer OEM & ODM service ?

Yes, we can make the products according to your technical drawings or samples. We are

professional in investment casting, die casting, stamping, CNC machining, etc.

**4.What kind of payment you accept ?**

T/T, L/C, PayPal, West Union, etc.

**5.What is your payment term ?**

T/T (30/70) or L/C at sight.

**6.What is your delivery time ?**

Within 5 workdays for hot-sale items. 15-25 workdays for bath orders.

**7.Do you offer after-sale service ?**

Of course, any question after you purchase our products, we will get back to you within 24 hours.

## **Contact**

---

Any inquiries or questions, please leave a message. Will get back to you as soon as possible!

For any urgent enquiry, please get in touch below:

Contact: Eve Chow

Email: sales03@launch-china.cn

Mob/WhatsApp/WeChat: +8613686807796