

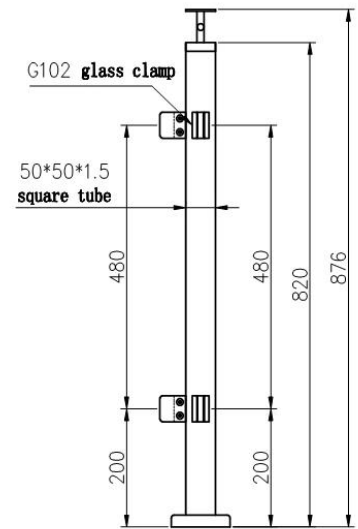
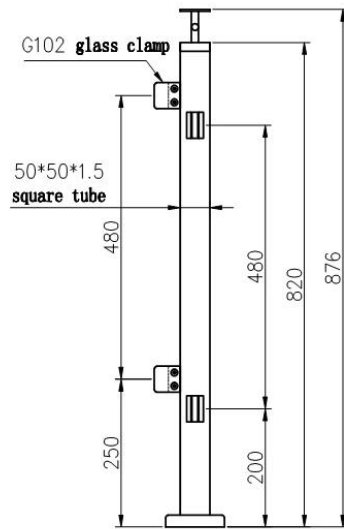
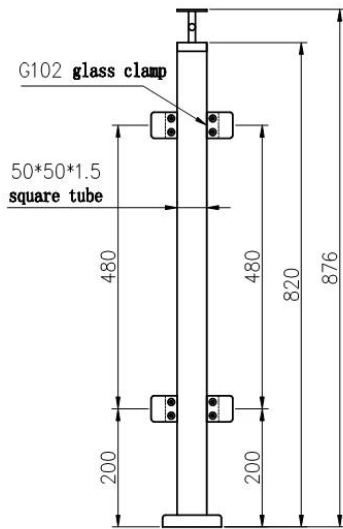
Interior Staircase Glass Railing Stainless Steel Square Glass Balustrade

1	Material & Finish	Stainless steel 304/316; Satin or mirror finish
2	Height	1000MM / Custom size
3	Stanchion Post	D50.8*1.5(mm) tube; 4 way adjustable top rail bracket; Square or Round Glass Clamp.
4	Top Rail	D50.8*1.5(mm) Hollow Tube
5	Security Railing	10mm/12mm Tempered Clear Glass Panel
6	Usage & Location	Baluster, Balustrade, Banister, Fence, Handrail, Railings; Balcony, Bridge, Deck, Garden, Patio, Pool, Porch, Stair, Terrace
7	Installation	Top/Side mounted
8	Package	EPE+Inner box+Carton

Product Show



Technical Drawing



Square post railing design with handrail



End post



90 Degree corner post



Middle post

Installation:

Glass Clamp Installation Guide



Mark and centre punch desired location of blind rivet nut location.



Drill centre punched hole in tube to suit blind rivet nut.



Insert blind rivet nut into tube and fasten with blind rivet tool.



Check installed blind rivet nut is secure and ready for install.



Align half glass clamp with blind rivet nut inline position. Screw in button head cap screw into thread and tighten with hex key.



Select appropriate rubber gasket to suit glass panel thickness. Install rubber gasket into both sides of glass clamp. (Note rubber gasket marked with sizes).



If heavier clamping load is required please use supplied glass clamp pin, during the install process. Note glass panels will require drilling in order to fit glass clamp pins.



Fit glass panel into position, install second half of glass clamp secure with provided hex screws.



Tighten glass clamps with hex key, and check glass panel are secure with no movement.

Project show

Interior Staircase Glass Railing Stainless Steel Square Glass Balustrade
For staircase/deck designs:



Welcome to contact us for more details:
Wendy: sales04@launch-china.cn
HP/WhatsApp/WeChat: +8615989339827