

# Marine Grade Custom Handrail U Shaped Glass Clamp Spigots 316 Stainless Steel Glass 12mm Clamp Spigots Glass Fence

## Product description

Product but.myself	Marine Grade Custom Handrail U Shaped Glass Clamp Spigots 316 Stainless Steel Glass 12mm Clamp Spigots Glass Fence
Material	316 stainless steel.
to end	Brushed polished mirror / satin
For GLA.SS T.Hickness.	8-13.52mm.
Height	120mm / 135mm.
No need for glass hole	Attack glass for friction (without glass holes required)
Payment deadline	Paypal, West Union, T / T
Production method	Casting (high quality)
Packaging details	1) a piece in a bubble bag, then in a white box 2) 12 pieces in a cardboard cardboard Or packaging as customer requirements
Application	Balcony glass railing, scale railing, bridge railing design, pool fence, balustrade frameless glass railing
Factory inspection	welcome
Sbroad	Available before order
Assemble	Mounting band, side mounting Glass card Concrete fixing or timber
MOQ.	Not limited. You can order according to your work Requirements.
OEM & ODM. Service	Available

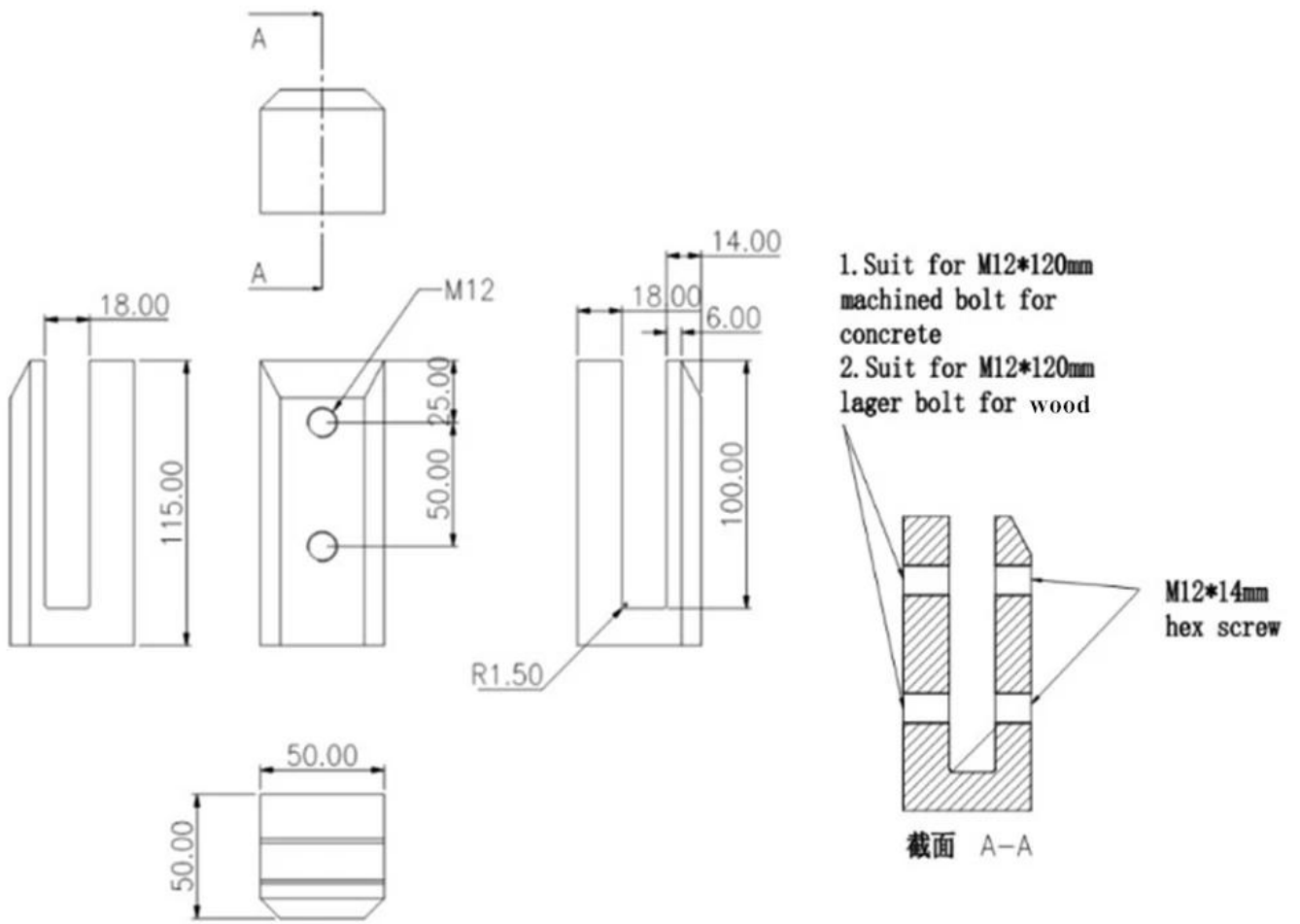
## Handrail U Shaped Glass Clamp Spigots Destails.

1) Handrail U Shaped Glass Clamp Spigots Shot Photos





2) Size of Handrail U Shaped Glass Clamp Spigots



3) Project photos of Handrail U Shaped Glass Clamp Spigots



### **Security packaging for side mounted glass spigot**

1. A piece in a bubble bag, then in a white box.  
12 pieces in a cardboard cardboard.
2. Packaging as customer requirements.





## **Faq**

1. Are you factory?

Yes, we are factory.

2. Do you offer free samples?

Yes, we offer free samples, but customers have to pay express charges.

3. What materials do you have?

We have 304, 316, 316L and Duplex 2205 stainless steel material.

4. What is your MOQ?

MOQ of order requested is 1 PC.

5. What do you accept the type of payment?

We accept the payment of T / T, LC, Paypal, West Union, etc.

6. What is your payment term?

Our payment term is T / T (100% or 30/70) or L / C visa.

7. What is your delivery time?

Our delivery time has been 5 days to 30 days based on your quantity.

8. Do you offer an OEM and ODM service?

Yes, we offer the OEM and ODM service.

9. Do you offer after-sales service?

Yes, we offer after-sales service. Any claim for orders will be addressed over 12 hours.

## **Contact**

Any request or question, please leave a message. You will answer you as soon as possible!  
For any urgent investigation, please contact:

-Email: sales03@launch-china.cn.

-Tel: (86-755) 8603 7559

-Skype: launch\_03.

-HP / Whatsapp / Wechat:+8613686807796.