

Molding Stainless steel flange Aluminum flange Steel flange for round tube

Product description:

- 1. Material: stainless steel / aluminum / steel**
- 2. Finish: satin or mirror or black coating**
- 3. For the pipe size: $\varnothing 25.4\text{mm}$ or customized**



KEBIL 科比奥[®]

SHENZHEN LAUNCH CO., LTD
INTERNATIONAL LIMITED

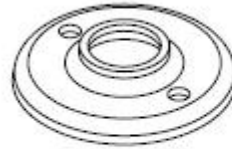
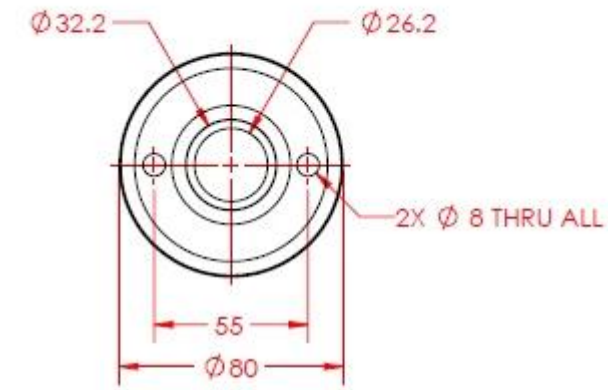


KEBIL 科比奥®

SHENZHEN LAUNCH CO., LTD
LAUNCH INTERNATIONAL LIMITED

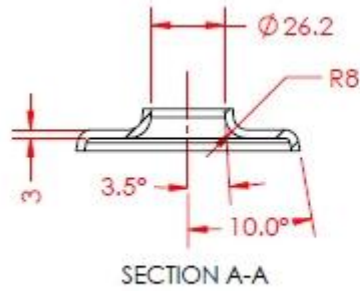
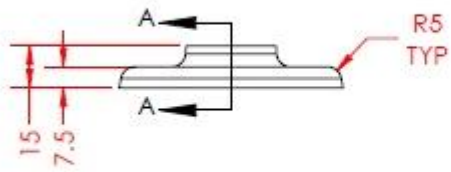


Technical design:



NOTES:

1. ALL UNITS ARE METRIC.
2. GRIND AND BREAK ALL SHARP EDGES.
3. ALL DIMENSIONS IN OVAL SHAPE ARE CRITICAL DIMENSIONS AND SHOULD BE MAINTAINED.



Do you need a quote or have any questions, contact me freely.

Wendy: sales04@launch-china.cn

Mobile / Wechat / WhatsApp: +86 159 8933 9827