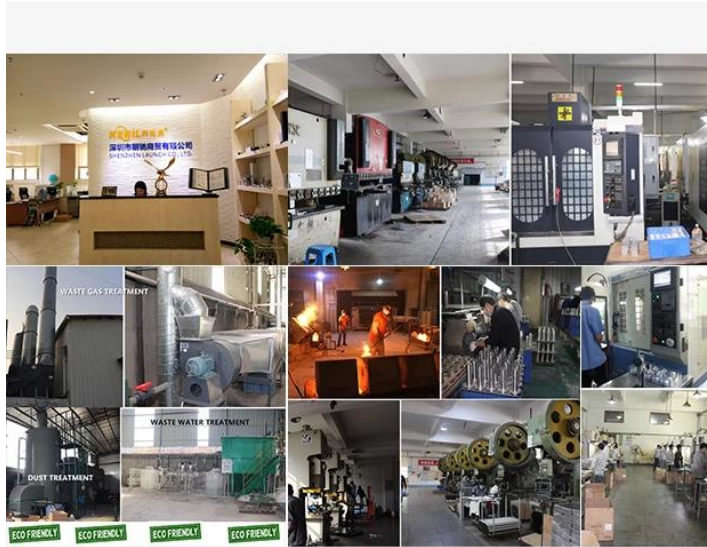


New Design Satin Finish Stainless Steel Frameless Glass Pool Fence Spigot Glass Balustrade Spigot

Why us



ABOUT US

Shenzhen Launch Co., Ltd was established in 2004, located at Nanshan District, Shenzhen, and one hour by car from Hongkong International Airport. Our main products are high-grade building materials including stainless steel balustrade post, staircase handrail, balcony guardrail, swimming pool fence and other high-grade building materials. All the products are designed strictly according to the high-end market requirements. We have our own factory in Tangxia Town, Dongguan, with more than 50 sets of various precision equipments, such as CNC lathe, milling machine, punching machine, pipe cutter, argon welder, drilling machine, polisher, etc. which can provide customers with complete product processing services.



15 YEARS EXPERIENCE

We have been manufacturing railing hardwares since 2004.



ONE STOP SERVICE

We provide integrated railing solutions. We manufacture. We deliver.



PROFESSIONAL R&D TEAM

We have engineering experts for developing new products.



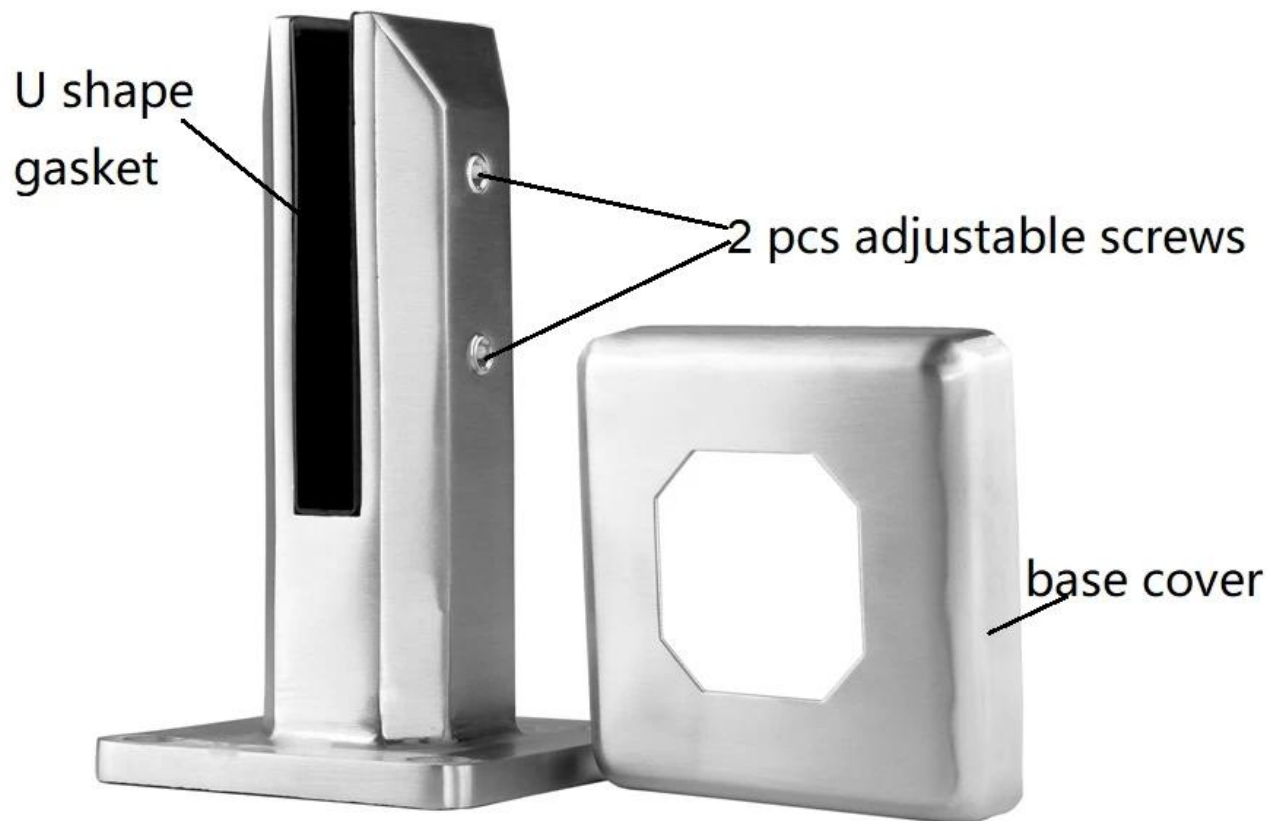
TOP QUALITY & GOOD PRICE

We are strict on quality control as well as cost evaluation.

Product description

| | |
|------------------------------|--|
| Product Mamy | New Design Satin Finish Stainless Steel Frameless Glass Pool Fence Spigot Glass Balustrade Spigot |
| material | Duplex 2205/316 stainless steel |
| template | Australian pattern AS 1926.1-2012 : Safety barriers for pools |
| Installation | 4 submerged holes 11mm for mounting wood screws or head screws |
| end | Polished / brushed satin mirror |
| to The Ass T.hickness | 8-13.52mm (no glass hole required) |
| height | 168 mm |
| Base cover size | 100x100mm per square, diameter 100mm per round |
| base | Surface / floor mounting |
| Manufacturing method | Casting (high quality) |

| | |
|----------------------------|---|
| packaging details | 1) A piece in a bubble bag, then in a white box 2) 12 pieces in 365x330x230mm cardboard box 3) Packaging as customer requirements |
| application | Glass railing for fence / balcony / bridge / stairs |
| Factory inspection | Available |
| Slarge | Available |
| MOQ | 10 pieces. It could order according to your job Requirements. |
| OEM and ODM service | Available |



New Design Satin Finish Stainless Steel Frameless Glass Pool Fence Spigot Glass Balustrade Spigot with Adjustable Levelling Plate:



swimming fence spigot in black opaque finish:

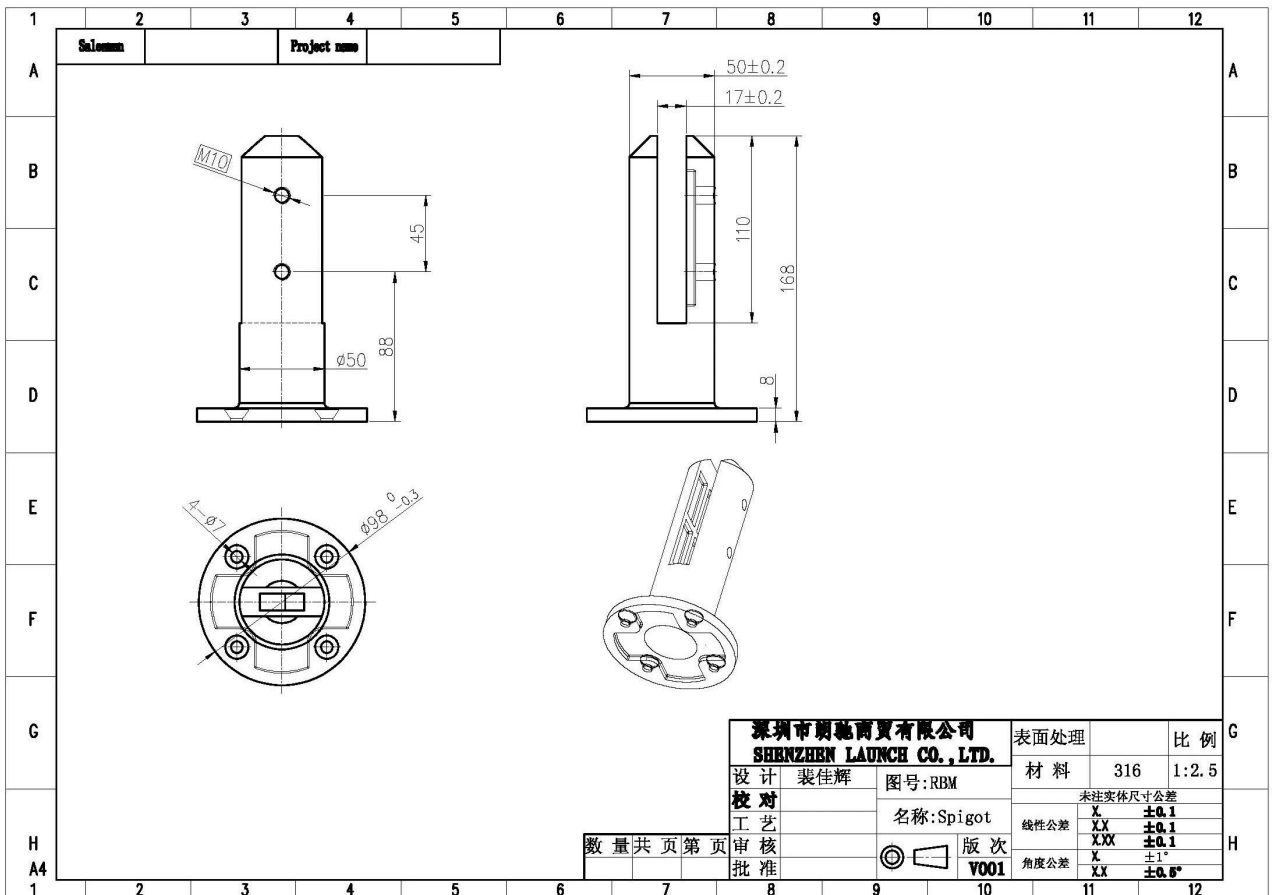
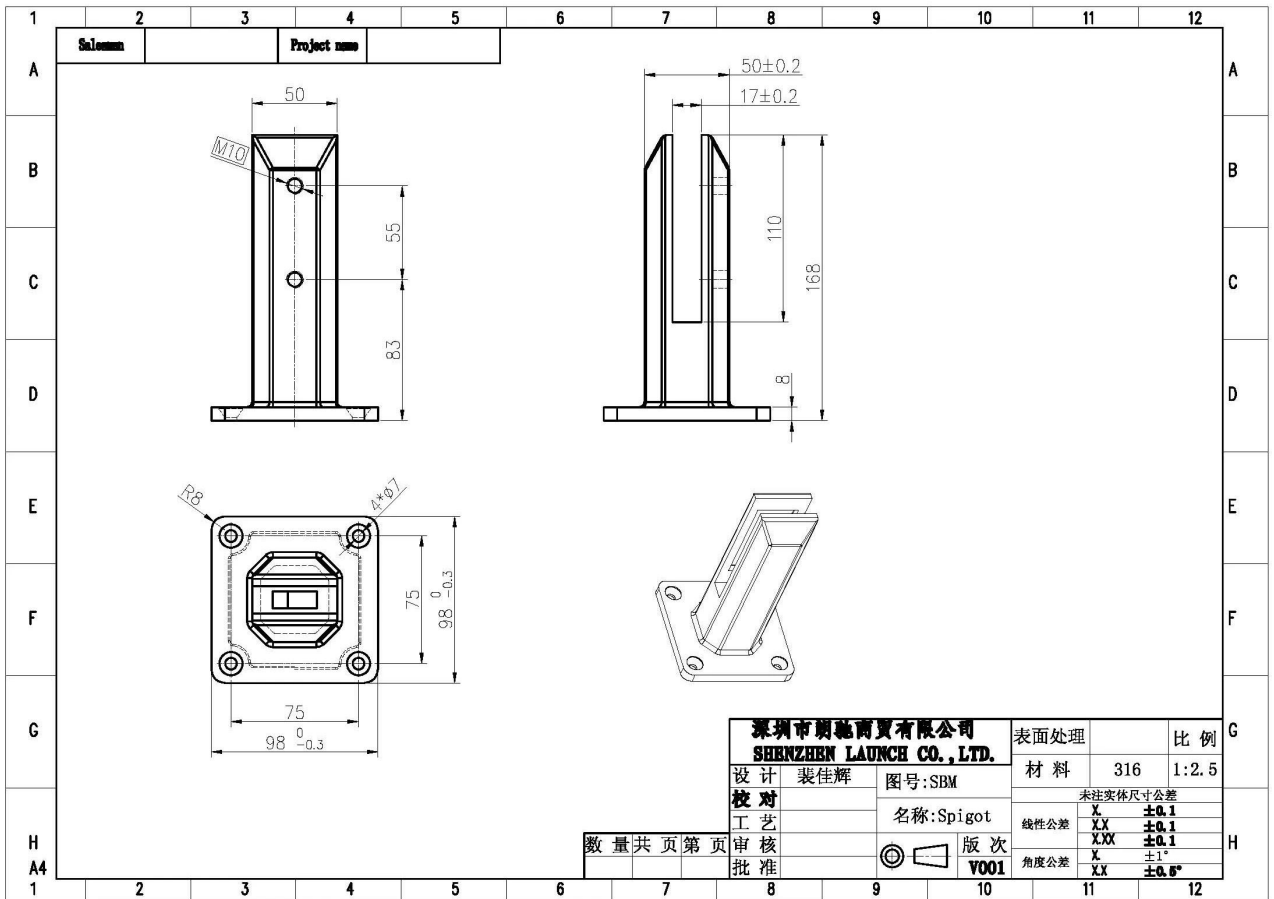






Stainless steel faucet Destails

1) Technical design of stainless steel glass faucet



2) Pictures of stainless steel faucet for swimming pool fence



RBM



SBM





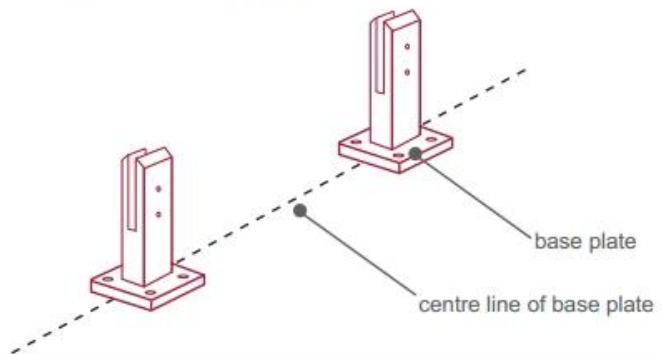
3) Installation Guide for stainless steel glass clamp



fixing method: base plate spigots

Mark out the centre line of proposed glass fence with a chalk line. Determine clamp location based on a sheet size (recommendation on pages 1 & 2). Use base plate as a template to mark out the hole positions and drill holes to suit.

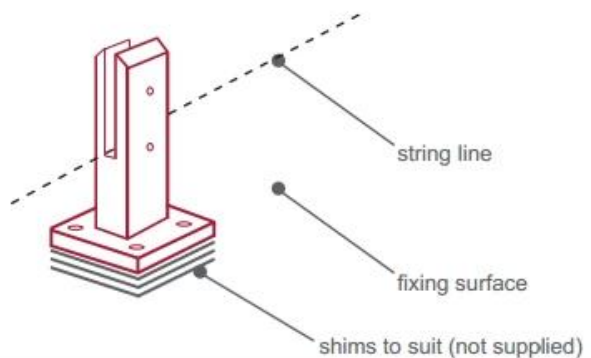
Note: Do not exceed 100mm gaps between glass panels. Optimum gap is 40mm to 60mm



Now the base plated spigots can be fitted to the floor and plumbed via shims (not supplied) under the base plates. Be sure to tighten firmly as the smallest of movement at the base plate will result in noticeable movement at the bottom of the glass fence.

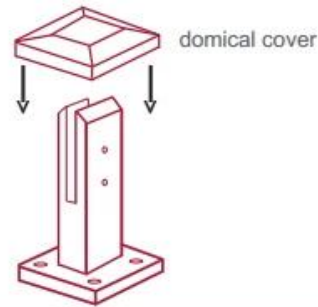
Tip: By setting the two outer spigots of your total span, a string line can be run in the 'throat' of the spigots, giving correct height for all spigots in between

Note: Do not exceed 100mm gap from the fixing surface to the bottom of the glass



When all spigots are installed, slip domical cover the top of the spigot to hide fixings. It will be necessary to turn the adjustment screws on the spigot face all the way in to allow cover to pass over

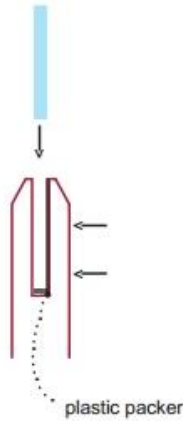
Note: Same installation method applies to round base plate spigot



The glass is then installed to the spigots.
Place plastic packers between glass & spigot, at no stage should glass touch the metal

How adjustability works:

1. Place glass in spigot
2. Fix/ tension glass both sides with allen key

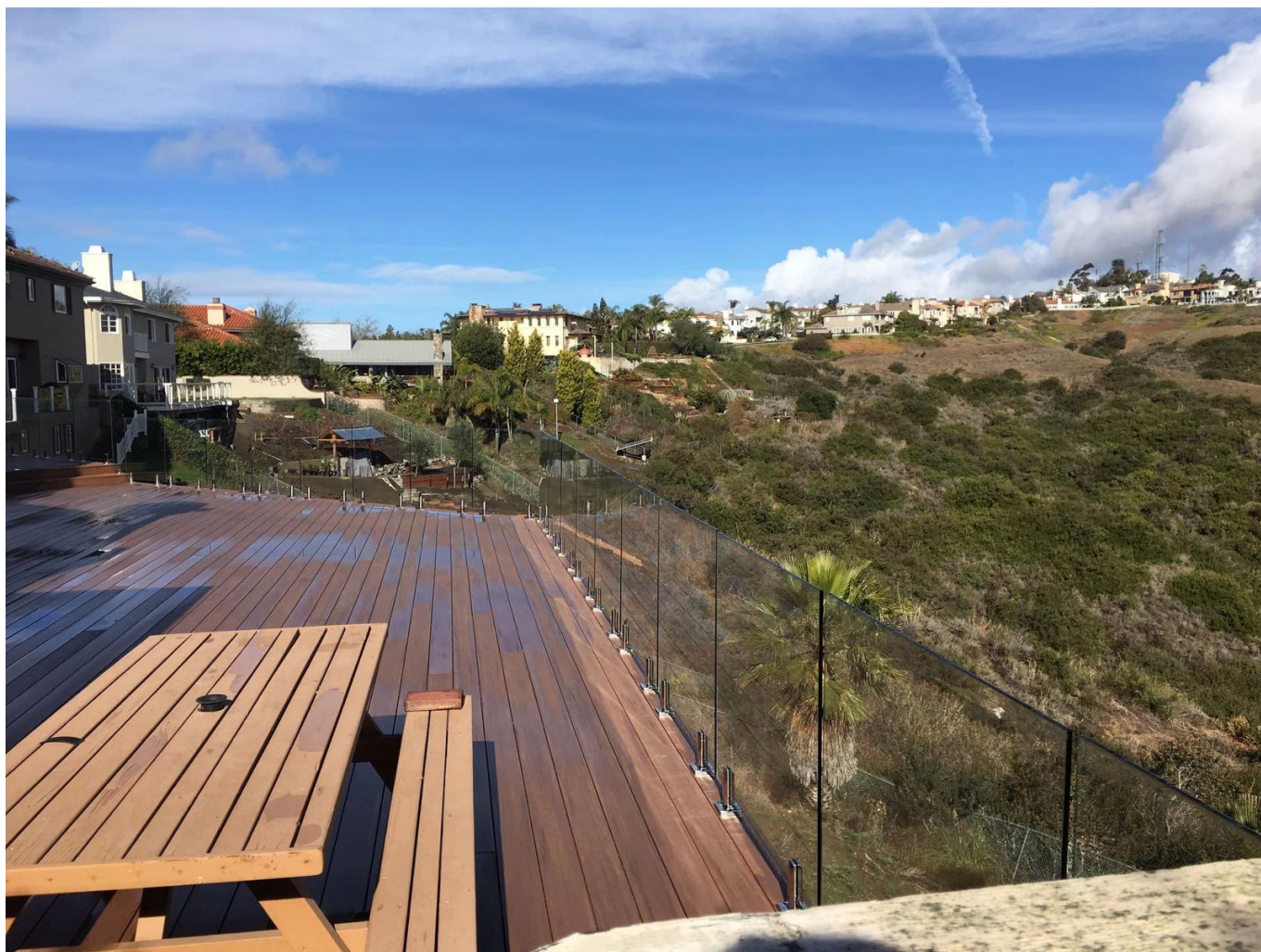


New Design Satin Finish Stainless Steel Frameless Glass Pool Fence Spigot Glass Balustrade Spigot Safety Packaging

1. A piece in a bubble bag, then in a white box.
12 pieces in 365x330x230mm cardboard box.
2. Packaging as customer requirement.



Stainless steel glass fence



Frequent questions

1. for many materials do you have?

SS304, SS316, SS316L, duplex 2205, etc.

2. Can you send me the full price list?

We're sorry, because price depends on many factors, such as quantity, type of material, surface treatment, and so on, we will offer you an accurate quote after confirming the detailed requirements.

3. Do you offer OEM and ODM service?

Yes, we can manufacture the products according to your technical drawings or samples. We are professional in precision casting, casting, printing, CNC machining, etc.

4. What kind of payment do you receive?

T / T, L / C, PayPal, West Union etc.

5. What is the payment period?

T / T (30/70) or L / C in sight.

6. What is the delivery time?

Within 5 business days for hot sale items. 15-25 business days for bath orders.

7. Do you offer after-sales service?

Of course, if you have any questions after purchasing our products, we will reply within 24 hours.

contact

If you have any questions, leave a message. We will get back to you as soon as possible!

For any urgent request, please contact us below:

Contact: Eve Chow

Email: sales03@launch-china.cn

Mob / WhatsApp / WeChat: +8613686807796