

[New Design Stainless Steel Railing Balcony Side Wall Mounted Smart Glass Spigots](#)

Product Description

Product Name	Stainless Steel Frameless Balcony Side Wall Face Mounted Smart Glass Spigots
Material	Stainless steel 316 / 2205
Finish	Mirror polished / satin brushed
For Glass Thickness	10-13.52mm
Height	115mm
Holes for glass	No need, friction fit glass
Payment Term	PayPal, West Union, T/T
Manufacture Method	Casting (high quality)
Packaging Details	1) One piece into one bubble bag, then into one white box 2) 12 pieces into one cardboard carton Or packing as customers' requirements
Application	Balcony glass railing, staircase railing, deck railing design, swimming pool fence, balustrade frameless glass railing
Factory Inspection	Welcome
Sample	Available before order
Mount	Fascia mounting, side mounting glass spigot fixing into concrete or timber substrate
MOQ	No limited. You can order as per your job requirement.
OEM & ODM Service	Available

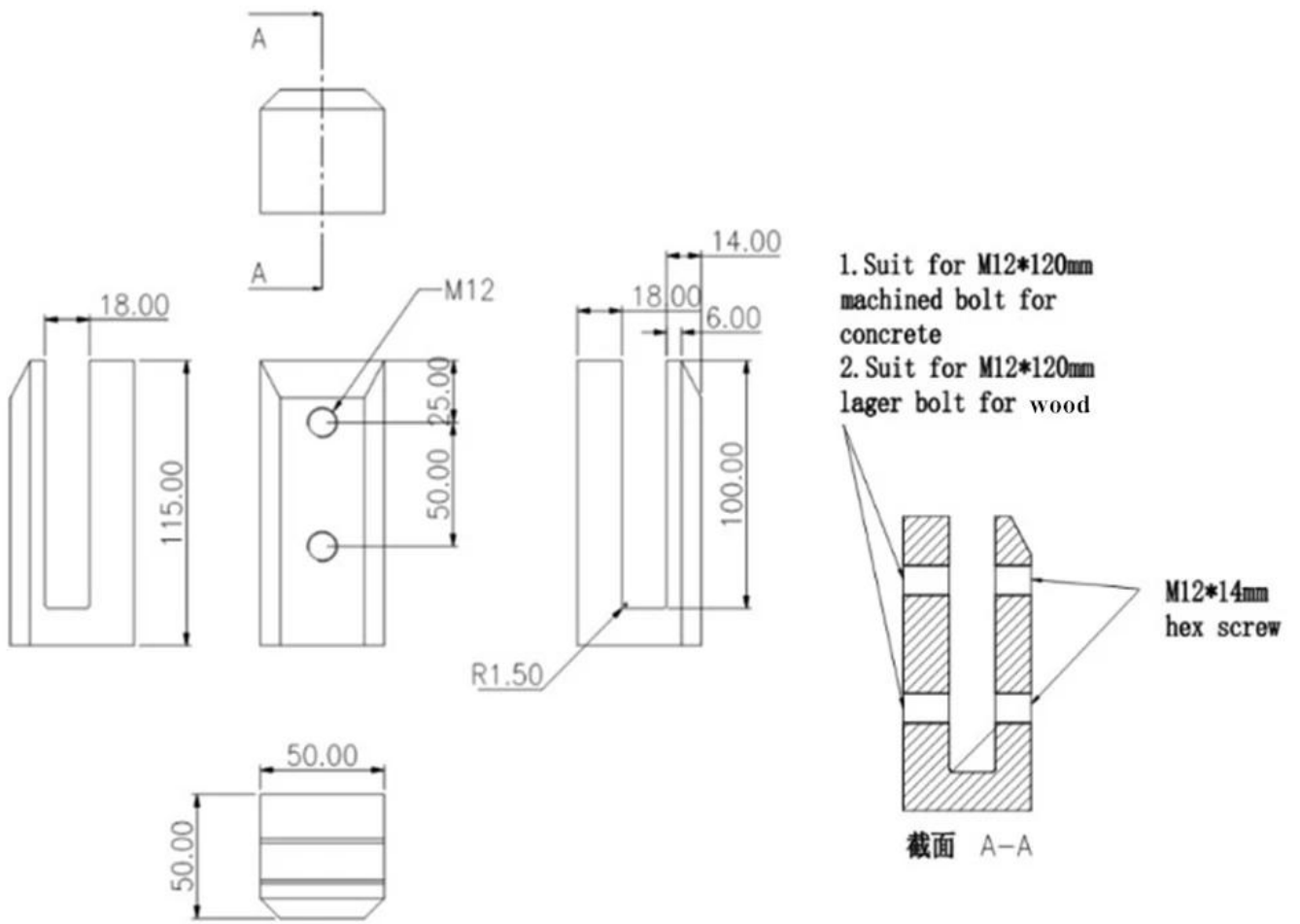
[New Design Stainless Steel Railing Balcony Side Wall Mounted Smart Glass Spigots Details](#)

1) New Design Stainless Steel Railing Balcony Side Wall Mounted Smart Glass Spigots real shot photos





2) Technical drawing for Balcony Side Wall Mounted Smart Glass Spigots



3) Balcony Side Wall Mounted Smart Glass Spigots projects



Side Wall Face Mounted Smart Glass Spigots Packaging

1. One piece into one bubble bag, then into one white box.
12 pieces into one cardboard carton.
2. Packing as customers' requirements.





FAQ

1.Are you factory?

Yes, we are factory.

2.Do you offer free samples?

Yes, we offer free samples, but customers need to pay express charges.

3.What materials do you have?

We have the material of stainless steel 304, 316, 316L and Duplex 2205.

4.What is your MOQ?

MOQ of order required is 1 pc.

5.What kind of payment do you accept?

We accept the payment of T/T, LC, PayPal, West Union, etc.

6.What is your payment term?

Our payment term is T/T 100% or 30/70 or L/C at sight .

7.What is your delivery time?

Our delivery time is from 5 days to 30 days based on your quantity.

8.Do you offer OEM & ODM service?

Yes we offer OEM&ODM service.

9.Do you offer after-sales service?

Yes, we offer after-sales service. Any complaint for orders will be dealt with in time within 12 hours.

Contact

Any enquiries or questions, please leave a message. Will get back to you as soon as possible!
For any urgent enquiry, please get in touch below:

-Email: sales03@launch-china.cn

-Tel: (86-755) 8603 7559

-Skype: launch_03

-Mob/whats APP: +8613686807796