

Satin Brushed Square 180 Degree Glass to Glass

Clamp to joint two glass panels at 180 degrees.for frameless glass railings .

1). Features -

Model No.	CB-180B
Item	180 Degree Glass to Glass Clamp
Material	304/316 SS
Finish	satin brushed , mirror polished
Glass thickness	10-12mm
Glass holes	no need glass holes

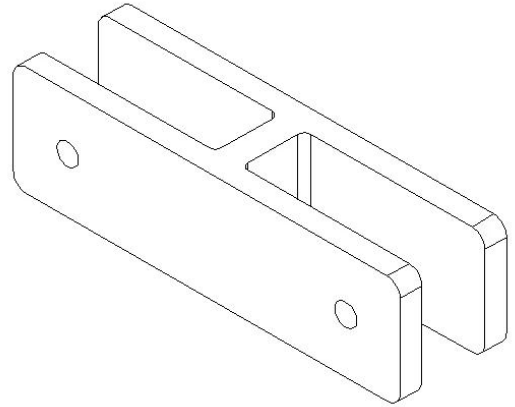
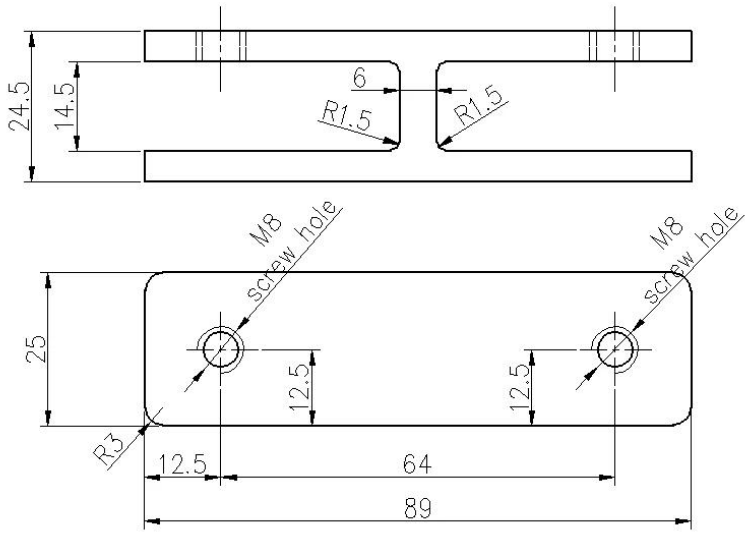
2). Photos of Satin Brushed Square 180 Degree Glass to Glass Clamp-







3) drawing for Satin Brushed Square 180 Degree Glass to Glass Clamp-



4). Satin Brushed Square 180 Degree Glass to Glass
Clamp applied on frameless swimming pool glass railings-



