

Soft Close satin stainless steel Safety Swimming pool gate hinge set includes 2 pcs hinge , max. door leaf weight can be 30kg per hinge set .

Features of Soft Close satin stainless steel Safety Swimming pool gate hinge-

Type	Pool gate hinge
Function	spring loaded type glass hinge
Model No.	G-G
Material	316 stainless steel
Finish	satin , mirror , powder coating , electro plating
For glass thickness	8mm 10mm 12mm
Max. door leaf weight	30kg
hinge cap	flat caps or coned caps
MOQ	1 pair
Other hardwares available for pool fence	glass latch , glass spigot

Soft Close satin stainless steel Safety Swimming pool gate hinge -



Soft Close Matte Black finish stainless steel Safety Swimming pool gate hinge-



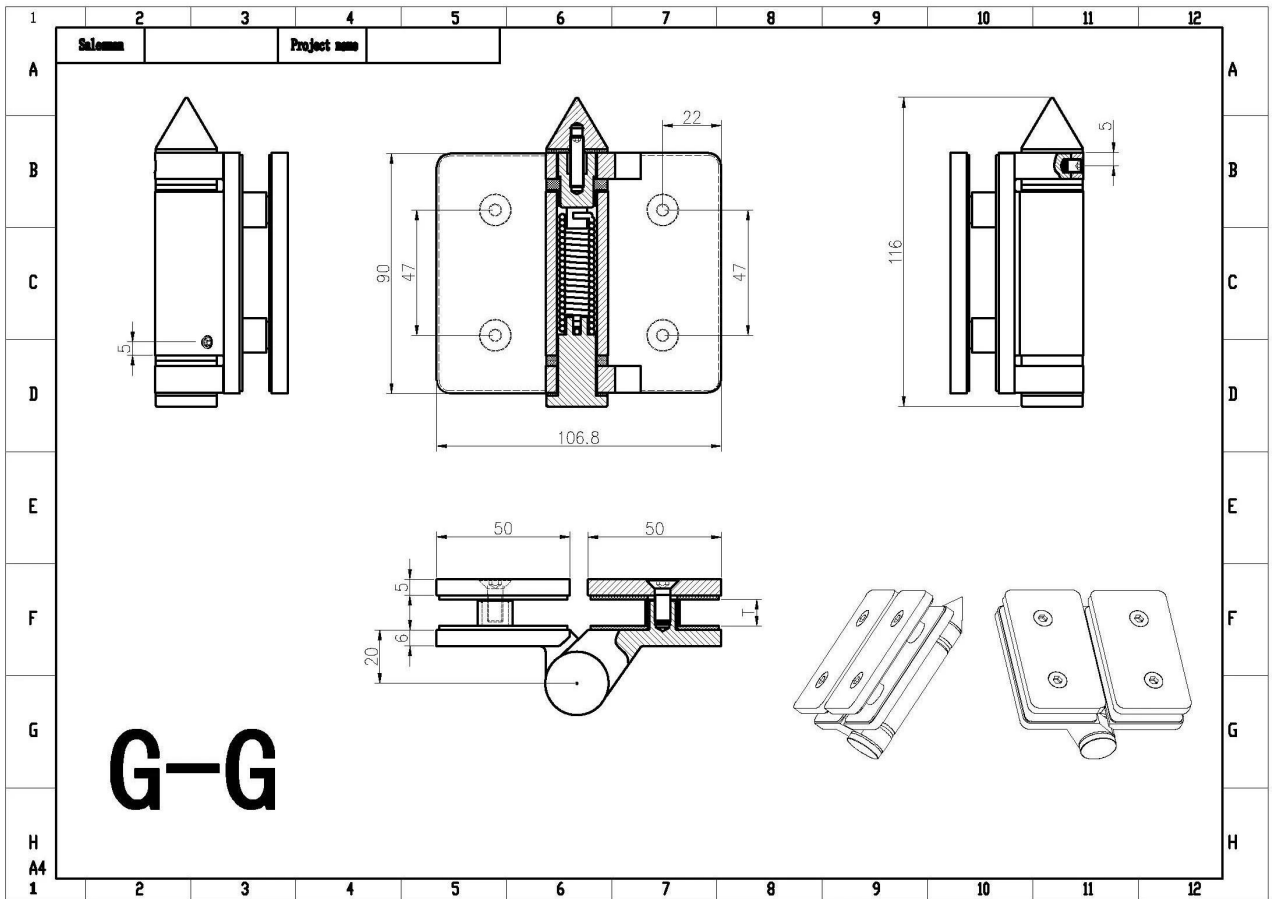




SHENZHEN LAUNCH CO., LTD



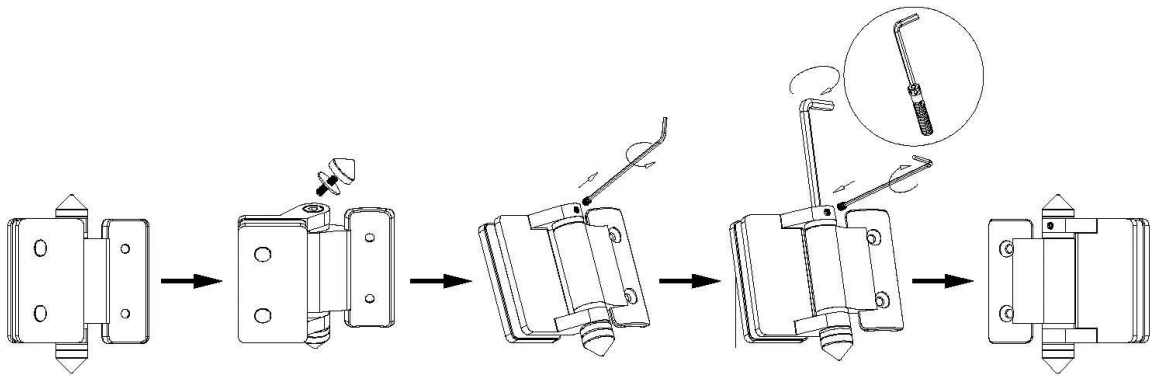
Dimensions for Soft Close stainless steel Safety Swimming pool gate hinge -



Installation instructions for Soft Close satin stainless steel Safety Swimming pool gate hinge-



Instructions for adjusting tension on Glass to Round post hinge

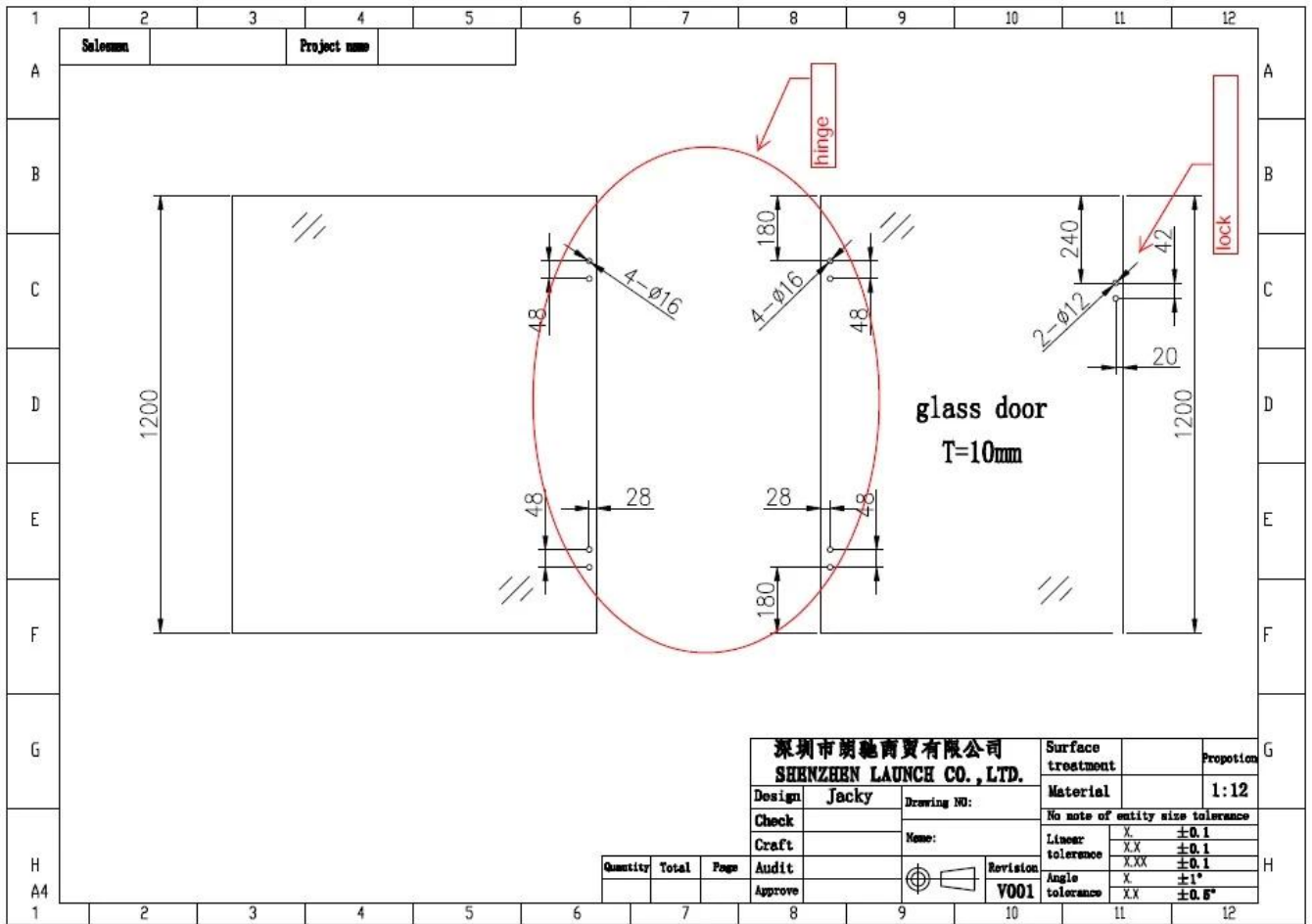


STEP 1
Remove cone and grub screw by turning anticlockwise to reveal tension pin.

STEP 2
Remove grub screw from side of hinge with Allen Key supplied.

STEP 3
Turn the tension pin clockwise to the next hole in tension pin, then tighten the grub screw, repeat this process a Maximum of three times or 360°, Do not over tension.

Glass hole drawing for hinge & latch-



Other models of pool gate hinges -
glass to wall hinge



glass to round post hinge



Production photos of glass hinges-



Project photos of swimming pool fence-



