

Spider bracket balustrade post, heavy duty glass balustrade post with spider fitting

Material: Stainless steel 304 / 316

Finish: Satin-brushed or Mirror-polished

Square type dimension: 40\*40\*T1.5\*H1100MM, 50\*50\*T1.5\*H870/950MM

Round type dimension: Dia42.4\*T1.5\*H1100MM

For glass thickness: 8-12mm glass

Types of post available: one way end post, 2 way 180 degree

Function: Support handrails and clamp tempered glass

Application: handrails for outdoor steps, glass balustrade, glass balcony

Payment Term: 30% in advance as deposit, balance before delivery

Trade term: EXW, FOB, CIF or DDP

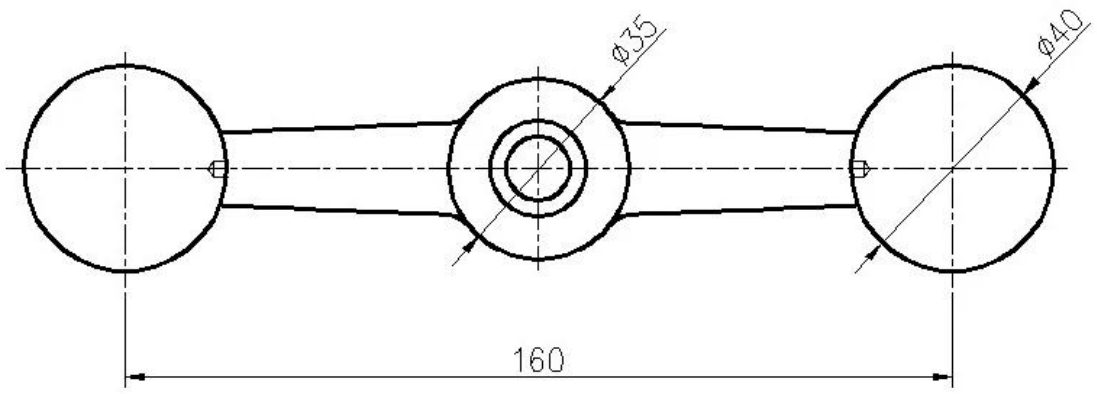
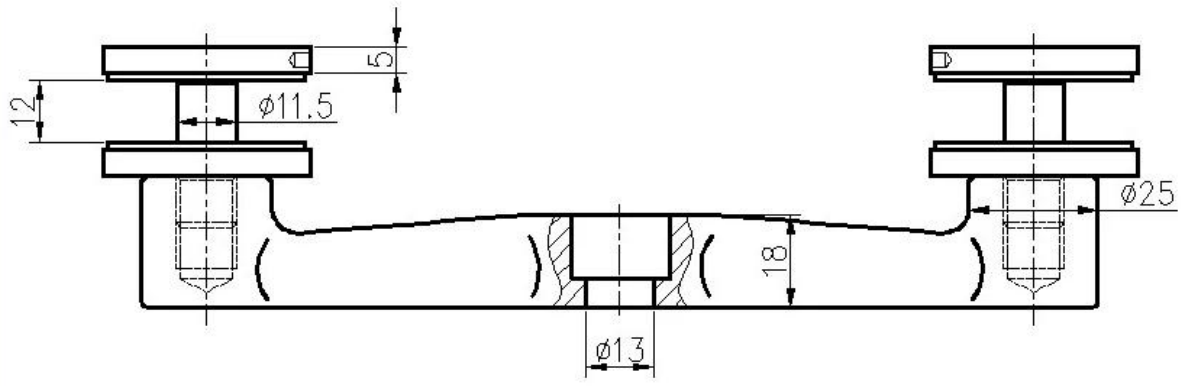
Packing: one piece into one plastic bag, then into one box

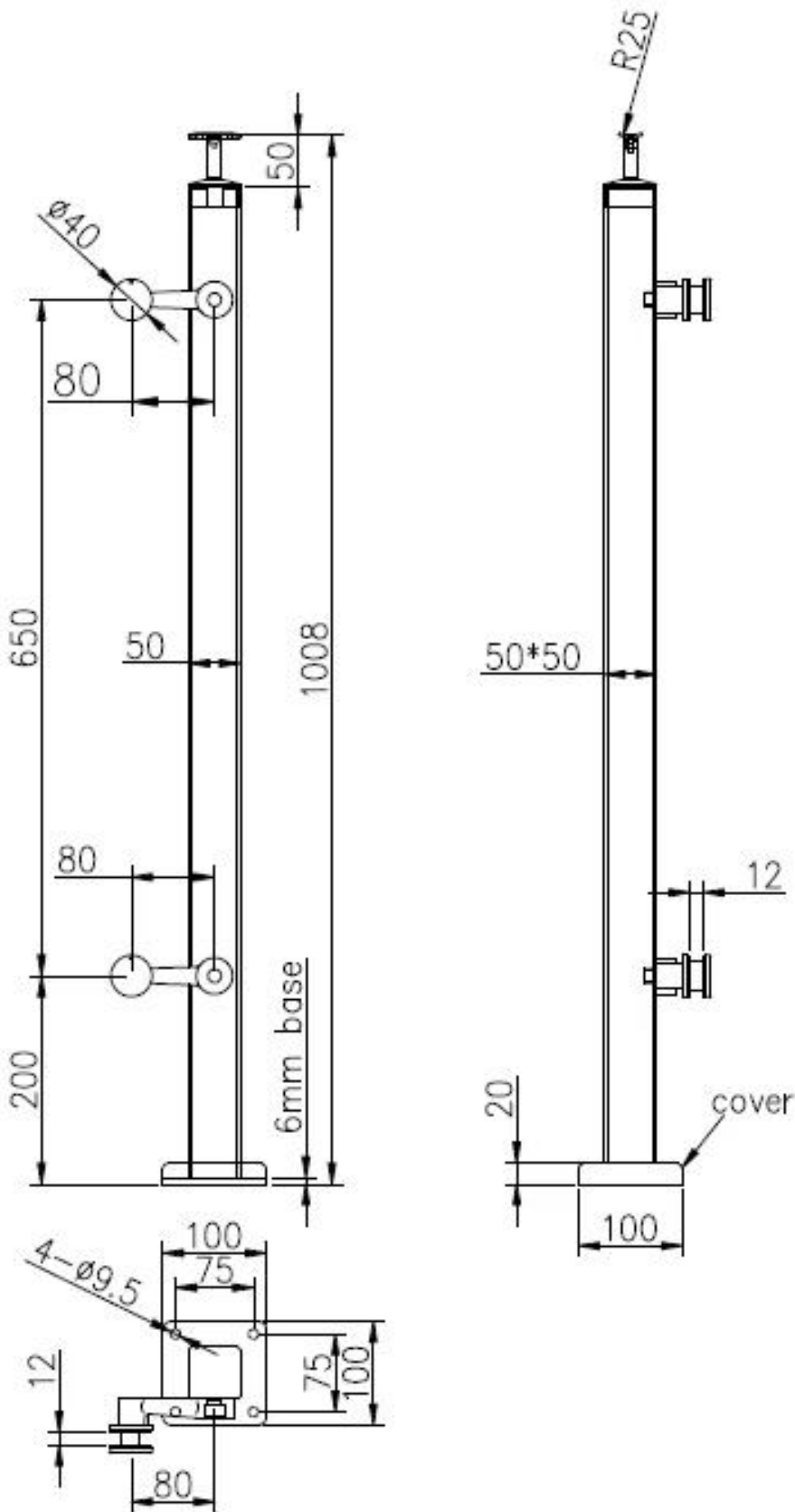
[Product show:](#)





Product drawing:





Packing details:



Welcome to contact us for more information:

Email: [sales03@launch-china.cn](mailto:sales03@launch-china.cn)

Mobile: +8615907334556

**Eve Chow**

Sales representative

M : +86 159 0733 4556

T : +86 755 8603 7559

E : sales03@launch-china.cn

A : B5-5003, Yilida Bldg, Nanshan District, Shenzhen