

Launch China is manufacturer for glass railing, cable railing, aluminum railing products for more than 16 years. So our tube connector are used to connect the handrail when it's not longer enough, or connect in corner, end place, etc. Below are some types of our square tube connector, with drawing attached. Should you have any needs, please feel free to contact us.

## **Product show**

### **2-way tube connector**

Model No.: S401



### **3 way tube connector**

Model No.: S402, S403



**S402**



**S403**

**4 way tube connector**

Model No.: S404, S405

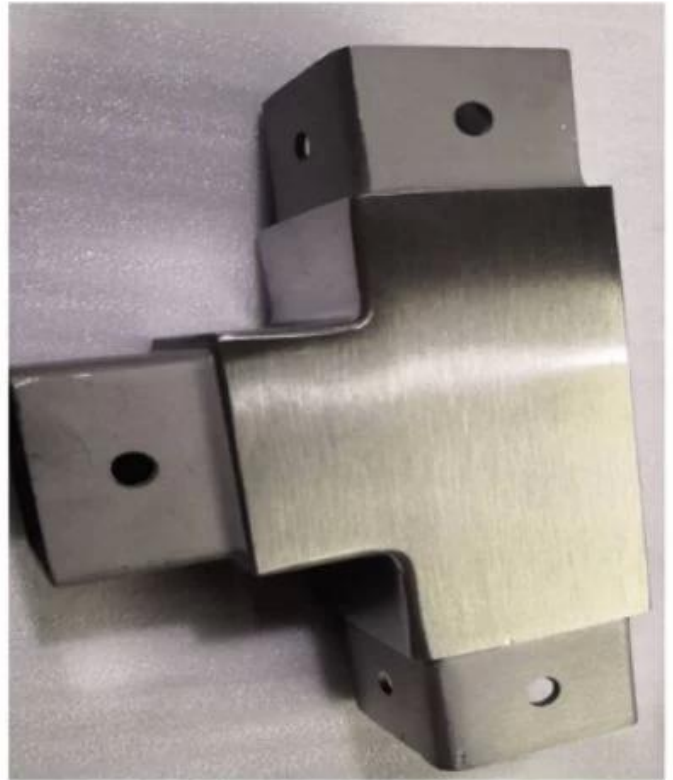


**S404**

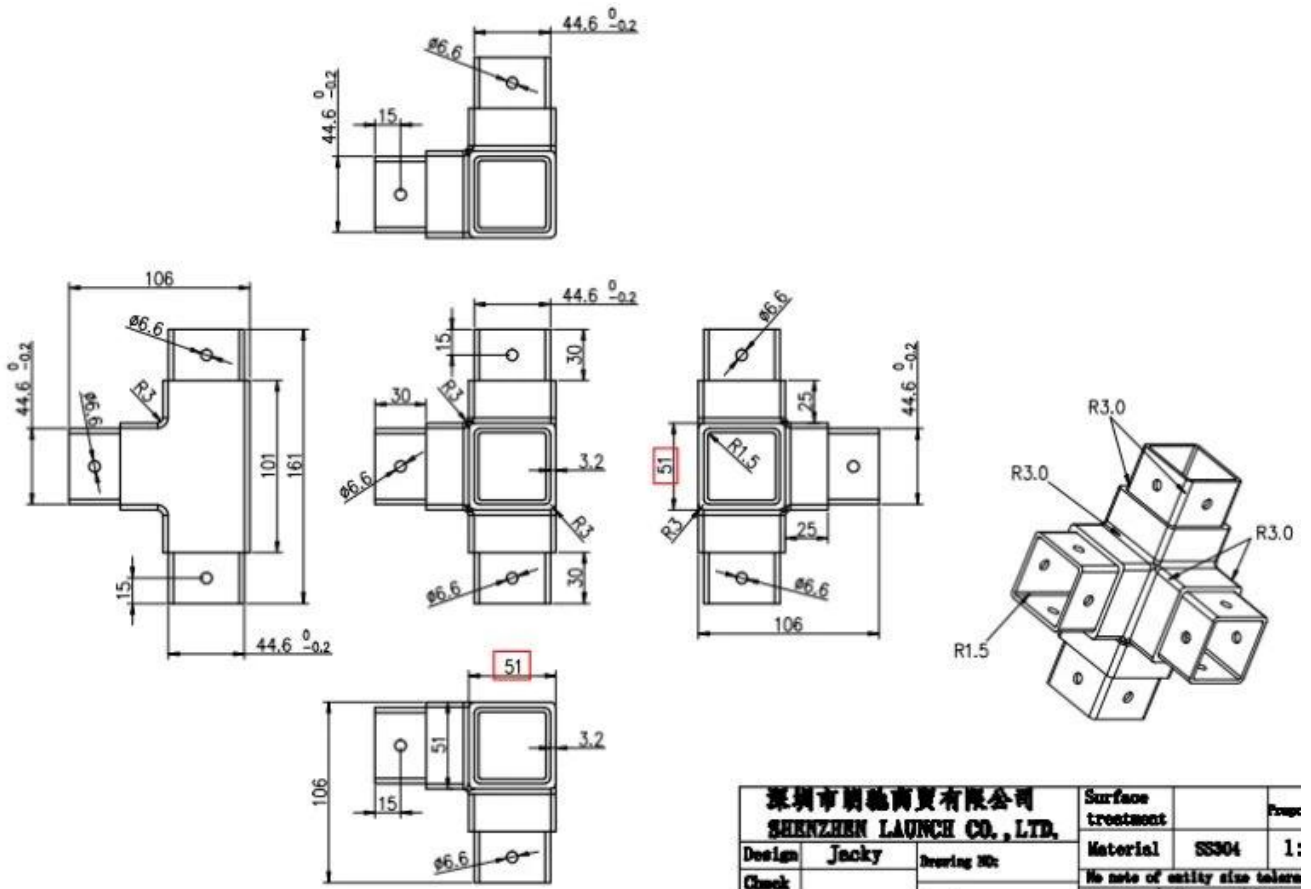
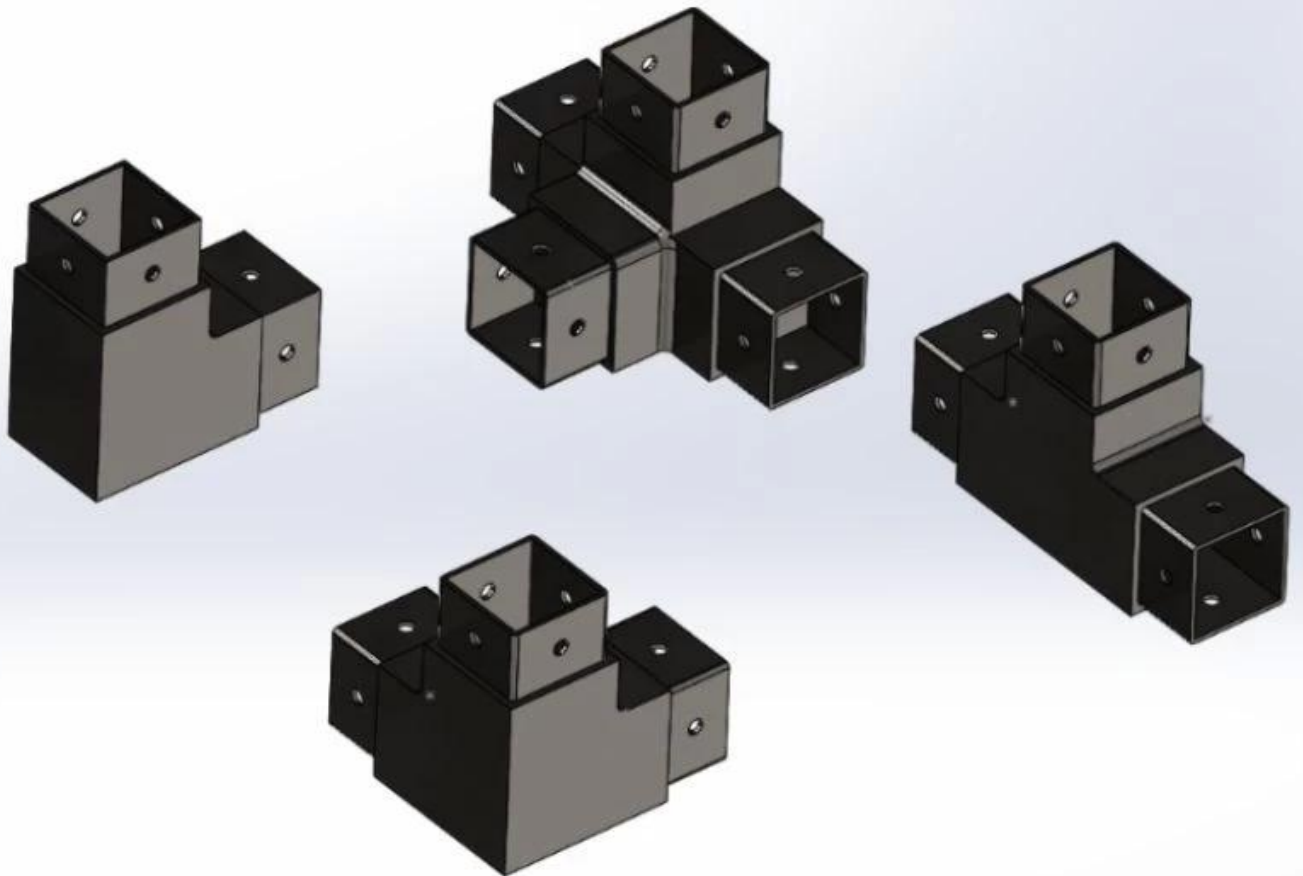


**S405**

**Square tube connector for 51\*51\*3.2mm, 2"\*2"\*0.125" tube with screw holes**



**Technical drawing**



<b>深圳市朗驰商贸有限公司</b> <b>SHENZHEN LAUNCH CO., LTD.</b>		Surface treatment		Page
Design	Jacky	Material	SS304	1:
Check		No note of entity size tolerance		
Craft		Linear tolerance	X ±0.1	
Audit		XXX ±0.1		
Approve		Angle tolerance	X ±1°	
			XX ±0.5°	

Quantity	Total	Page

Revision	Y002
----------	------

Other types tube connector are also available

Square tube connectors



S401



S402



S403



S404



S405

2-way tube connector



For tube dimensions	Model
40×20×1.5(mm)	S400
40×40×1.5(mm)	S401
50×50×1.5(mm)	S501
51×51×3.2(mm)	S511

3-way tube connector



For tube dimensions	Model
40×40×1.5(mm)	S402
51×51×3.2(mm)	S512

3-way tube connector



For tube dimensions	Model
30×30×1.5(mm)	S303
40×40×1.5(mm)	S403
50×50×2.0(mm)	S503
51×51×3.2(mm)	S513

4-way tube connector



For tube dimensions	Model
40×40×1.5(mm)	S404
50×50×2.0(mm)	S504
51×51×3.2(mm)	S514

4-way tube connector



For tube dimensions	Model
40×40×1.5(mm)	S405

**Round tube connectors**







Part No.	For tube size	Material	Finish
▪ E301	▪ $\Phi$ 42.4mm ▪ $\Phi$ 50.8mm	▪ AISI 304 ▪ AISI 316	▪ Satin ▪ Mirror



Part No.	For tube size	Material	Finish
▪ E302	▪ $\Phi$ 42.4mm ▪ $\Phi$ 50.8mm	▪ AISI 304 ▪ AISI 316	▪ Satin ▪ Mirror



Part No.	For tube size	Material	Finish
▪ E303	▪ $\Phi$ 42.4mm ▪ $\Phi$ 50.8mm	▪ AISI 304 ▪ AISI 316	▪ Satin ▪ Mirror



Part No.	For tube size	Material	Finish
▪ E304	▪ $\Phi$ 42.4mm ▪ $\Phi$ 50.8mm	▪ AISI 304 ▪ AISI 316	▪ Satin ▪ Mirror



Part No.	For tube size	Material	Finish
▪ E305	▪ $\Phi$ 12mm ▪ $\Phi$ 20mm	▪ AISI 304 ▪ AISI 316	▪ Satin ▪ Mirror



Part No.	For tube size	Material	Finish
▪ E306	▪ $\Phi$ 50.8mm	▪ AISI 304 ▪ AISI 316	▪ Satin ▪ Mirror



Part No.	For tube size	Material	Finish
▪ E307	▪ $\Phi$ 43	▪ AISI 304 ▪ AISI 316	▪ Satin ▪ Mirror



Part No.	For tube size	Material	Finish
▪ B502	▪ $\Phi$ 12mm	▪ AISI 304 ▪ AISI 316	▪ Satin ▪ Mirror

**Project picture**



Should you have any inquiries, please feel free to contact us.

Frank Fang

Email: [sales02@launch-china.cn](mailto:sales02@launch-china.cn)

Phone/WhatsApp/Wechat: +8615906261741